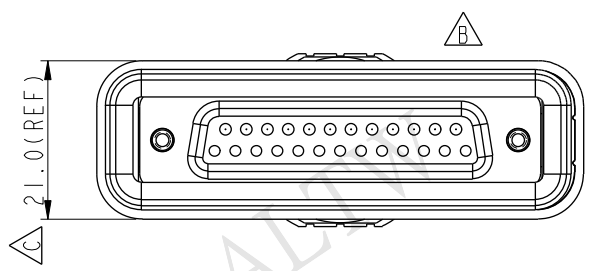
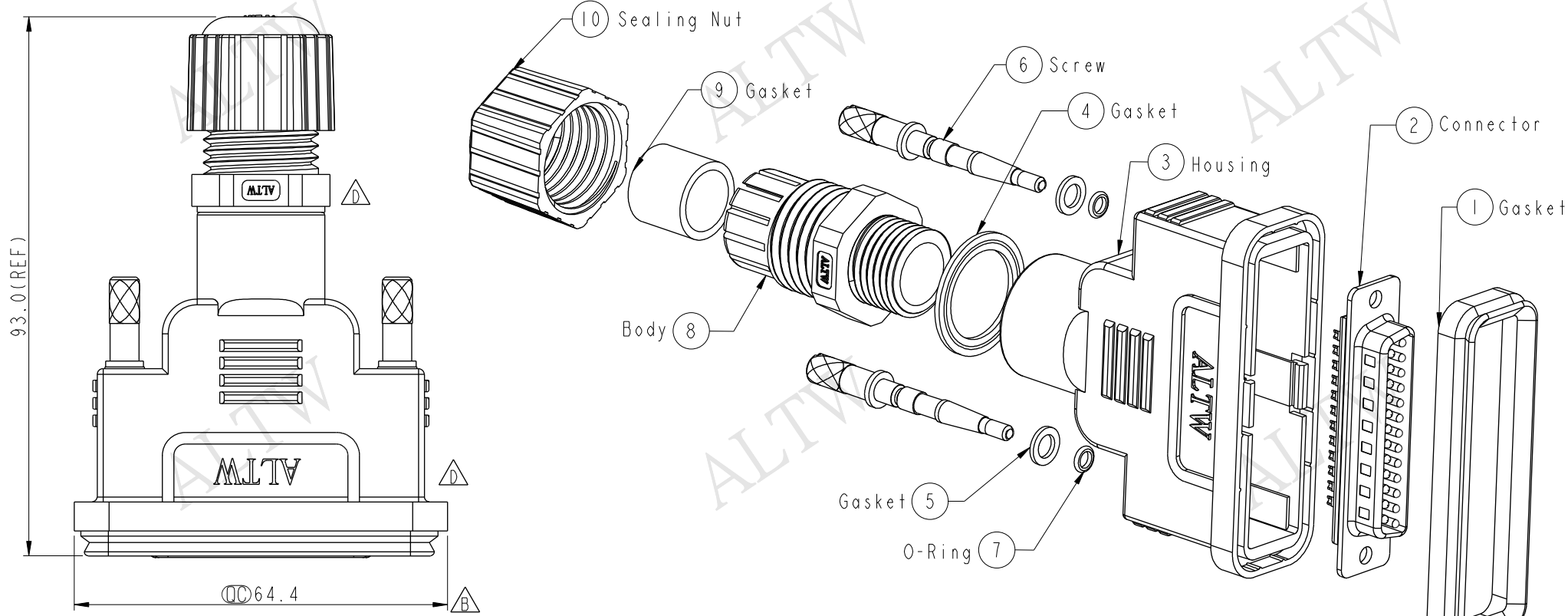


THIS DOCUMENT IS SUBJECT TO CHANGE WITHOUT NOTICE. IT IS CONFIDENTIAL AND A PROPERTY OF Amphenol LTW. DISCLOSURE TO THIRD PARTY HAS TO BE AUTHORIZED BY Amphenol LTW.

REV.	ECN NO.	DATE	SIGN	DESCRIPTION
B	LEN-990008	2009/09/04	Li Xiu Zhi	Change 64.5 to 64.4
C	LEN1160165	2011/05/11	Jiang Jun Hua	Change 21.0 To 21.0(Ref)
D	LEN1530176	2014/12/18	Ruru	Change Logo



**ALTW**  
 CONFIDENTIAL  
 2014-12-18  
 R&D DEPT.

**ALTW**  
 DCC. DEPT.  
 CONFIDENTIAL  
 2015.03.17  
 ISSUED

- Note:
- \* Ⓞ Important Dimension
  - \* Waterproof Rate: IP67
  - \* Connector: D-SUB 25Pin Male
  - \* Sealing Nut: Nylon, Black
  - \* Seals For Cable OD:  $\varnothing 6.0\text{mm} \sim \varnothing 10.0\text{mm}$
  - \* One Set Unassembled in One PE Bag

UNIT: mm		TITLE		<b>Amphenol LTW</b> 安費諾亮泰企業股份有限公司	ITEM NO	DRAWN BY	DATE
		D-SUB Conn Assy Screw DB25Pin M Conn. M Pin			SDB-25BMMA-SL7001	Ruru	2014-12-18
TOLERANCE		SCALE	SIZE		DWG NO	CHECKED BY	DATE
.X ±0.25		1:1	A4		SDB-25BMMA-SL7001	Rita	2014-12-18
.XX ±0.1		REV.	WC-REV.		CUSTOMER	APPROVED BY	DATE
.XXX ±0.05		D	A.2		ALTW	Win	2014-12-18
ANGLES ±1°		Ⓞ: Inspection item					