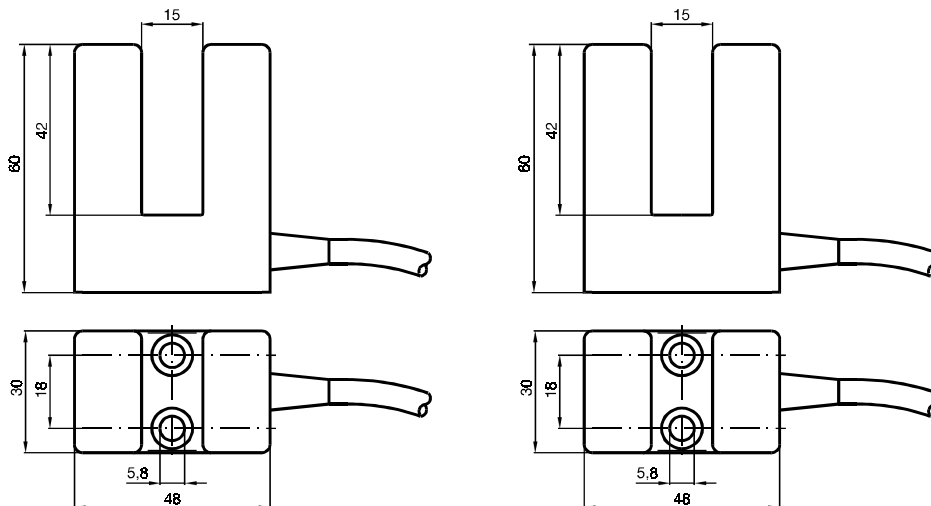


Slot Type

AC; DC

2-/3-/4-wire

Standard series
15 mm slot width



Slot width	15 mm	15 mm	15 mm	
PNP Make function	SJ15-E2			
NPN Break function	SJ15-E			
PNP Antivalent		SJ15-A2		
NPN Antivalent		SJ15-A		
AC	Make function			SJ15-WS
	Break function			SJ15-WÖ
Entry depth [mm]	17 ...19	17 ...20	18,5 ...20,5	
Operating voltage U_B [V]	10 ...30	10 ...30	20 ...250	
Operational current I_L [mA]	200	200	500	
Switching frequency [Hz]	500	500	25	
No-load supply current [mA]	20	20	-	
Off-state current I_R [μ A]	-	-	2,5	
Short time c. $20ms, 0,1Hz$ [mA]			4000	
Voltage drop [V]	3	3		
Short circuit protection	pulsing	pulsing	-	
Reverse polarity protection	yes	yes	-	
Output indicator	-	-	-	
Operating temperature [$^{\circ}C$]	-25 ...70	-25 ...70	-25 ...70	
EMC to	EN 60947-5-2	EN 60947-5-2	EN 60947-5-2	
Protection to DIN 40050	IP 67	IP 67	IP 67	
Connection	2 m, PVC-cable	2 m, PVC-cable	2 m, PVC-cable	
Conductor cross section	0,75 mm ²	0,75 mm ²	0,75 mm ²	
Housing material	PBT	PBT	PBT	

Standard symbol / connection:

