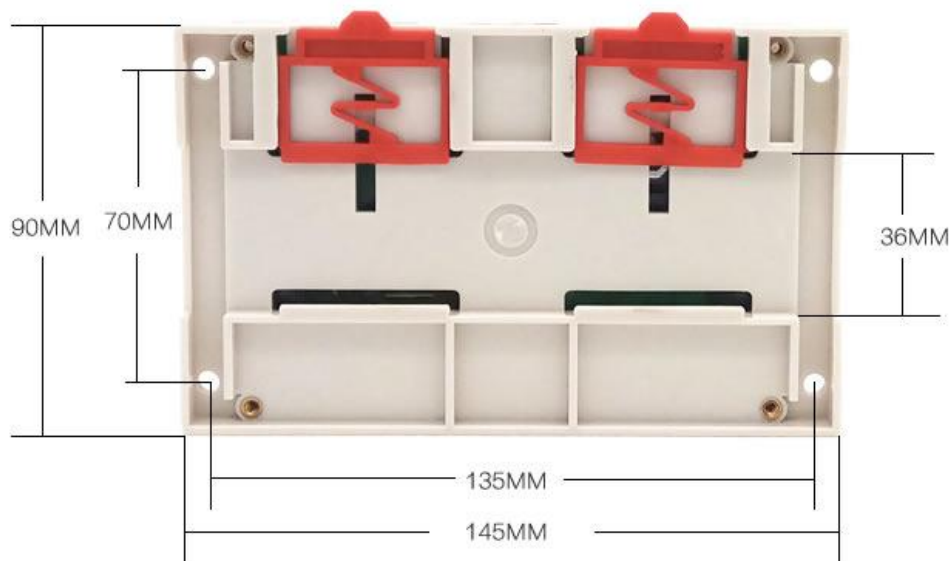


SME SONOFF 4CH PRO R2 WIFI SWITC

Sonoff 4CH Pro R2 is 4 gang WiFi switch. It support switching among 3 working modes: interlock/self-locking/inching mode. 4CH Pro R2 supports to set 1-16s. This feature allows you to let your switch turn on for a few seconds then goes off, which works like a pulse switch. It integrate with a 433MHz RF receiver module, making it possible to be controlled by [RF Remote](#).

Users can remotely turn on/off the connected lights/appliances by iOS/Android App eWeLink or 433MHz RF Remote. They can create 8 enabled single/repeat/countdown timers to automatically turn on/off at the specified time. The timers can run It self even when the network is unavailable. To let the device be controlled by their family, users can simply share the devices with their accounts and allow specified timers permissions. They can even create some scenes or smart scenes to trigger ON/OFF the switch.

DIN Rail Mount Enclosure



SMART TIMER

Powerful Timing Function



Single timing



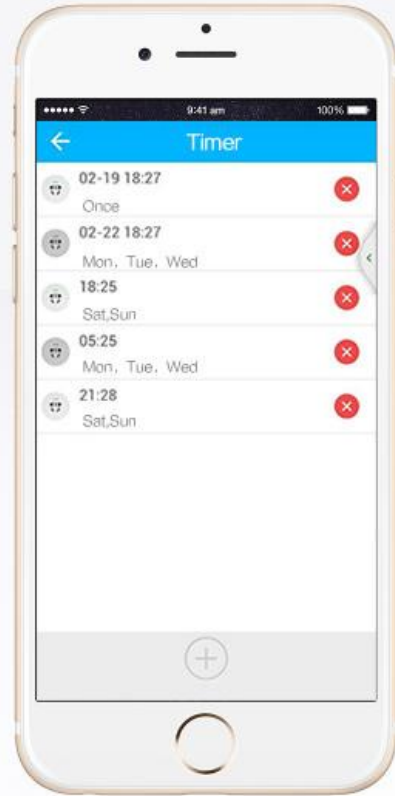
Repeat timing

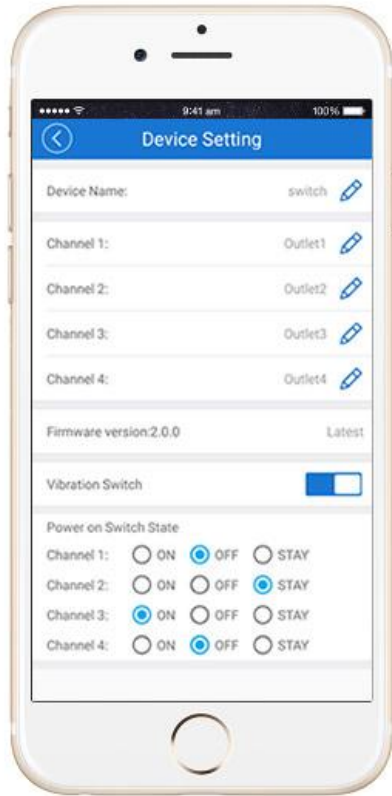


Countdown

SMART TIMER

✓ Preset timers can run even network unavailable





MORE SETTING

Rename your device

Rename each channel

Online upgrade firmware

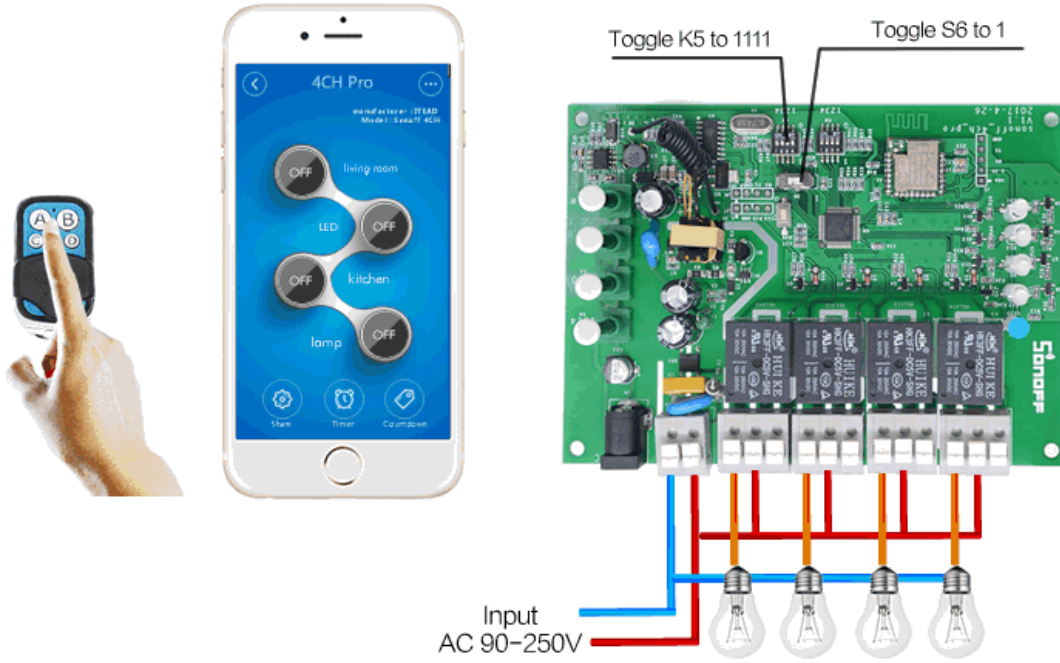
Vibration setting

Power on setting

In self-locking mode, users can turn on/off the 4 connected devices instantly and separately.

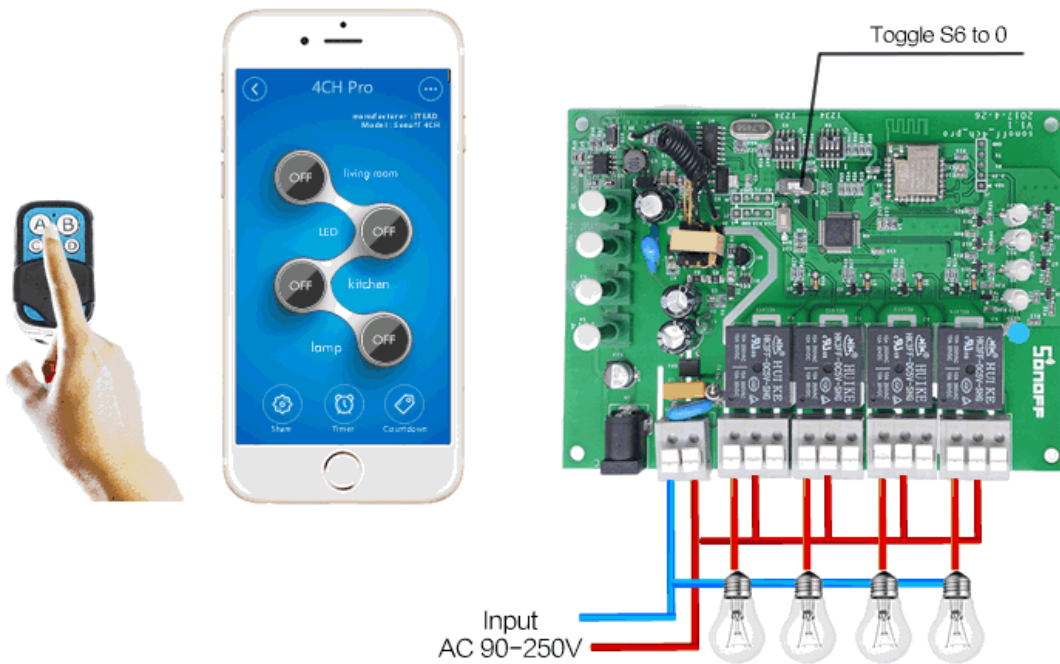
3 WORKING MODES

① Self-locking Mode GIF



3 WORKING MODES

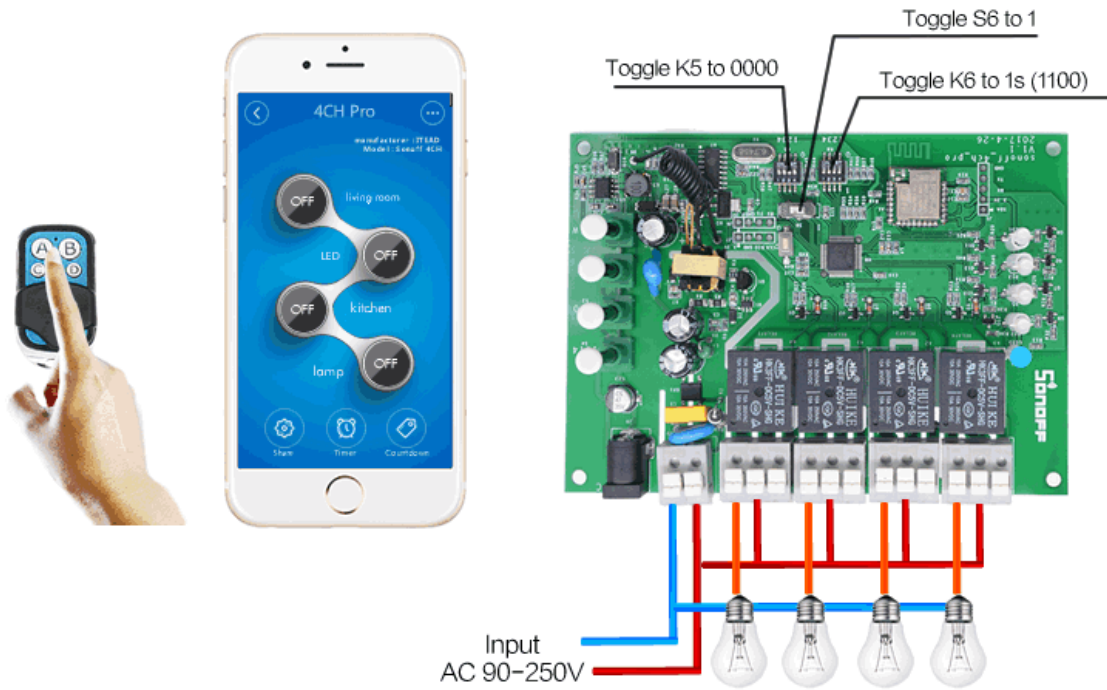
② Interlock Mode GIF



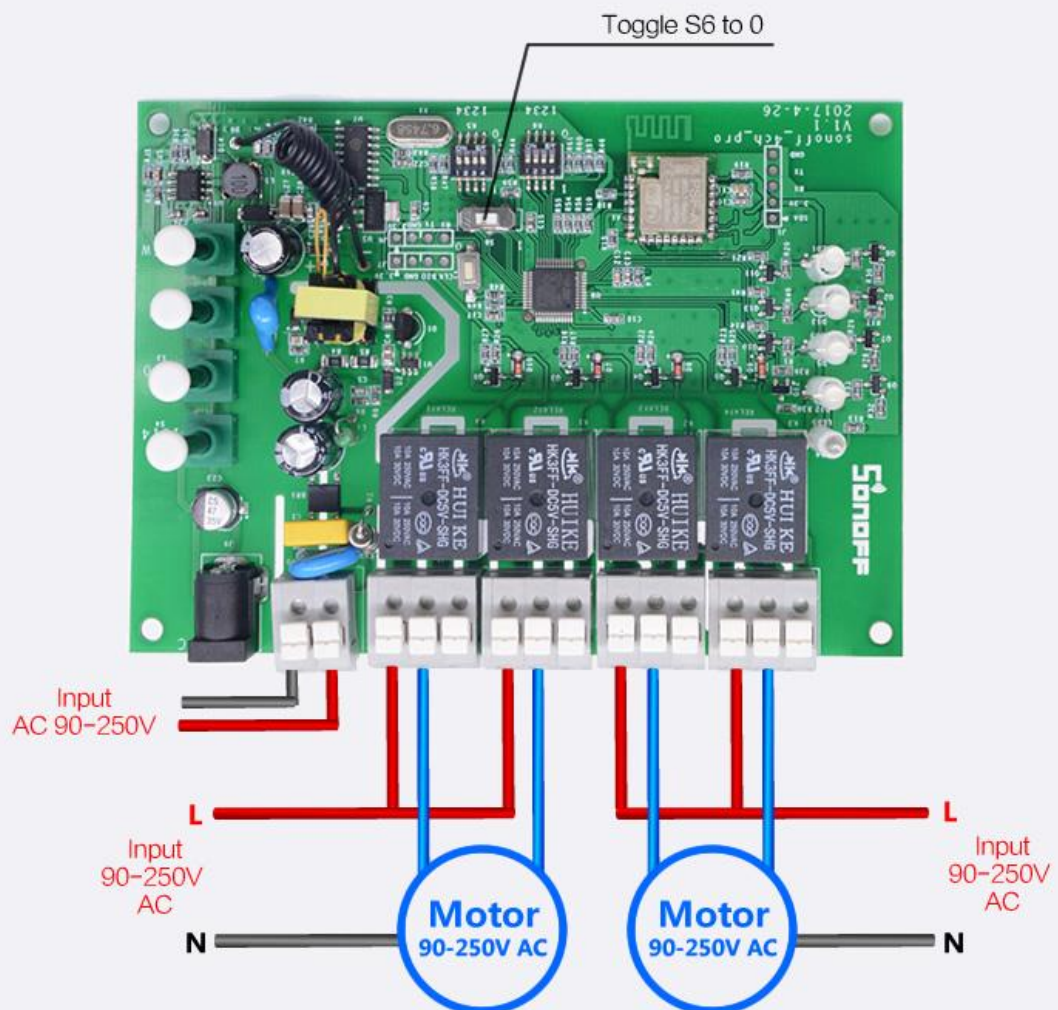
In inching mode, users can turn on the connected devices for 0.25-4s (Sonoff 4CH Pro) or 1-16s (Sonoff 4CH Pro R2) then auto-off.

3 WORKING MODES

③ Inching Mode GIF

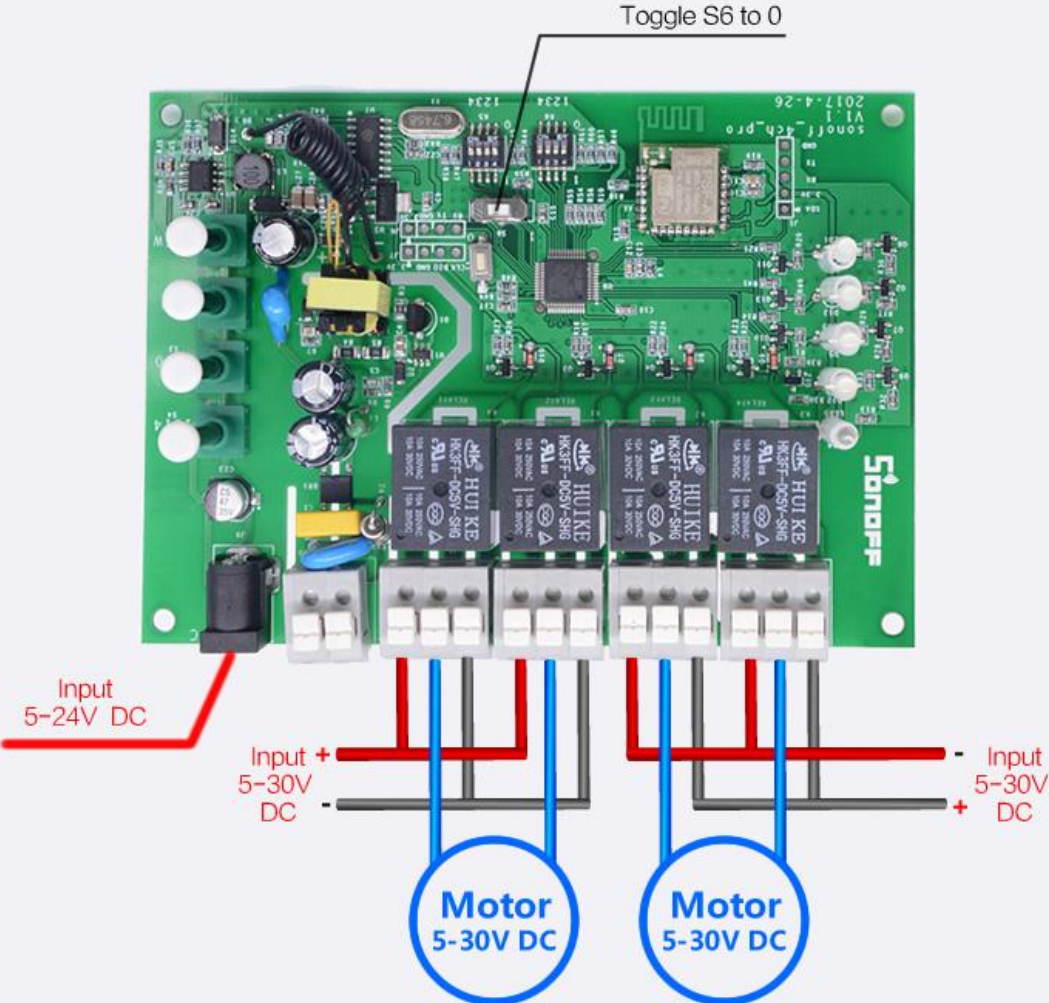


AC Motor Wiring Diagram



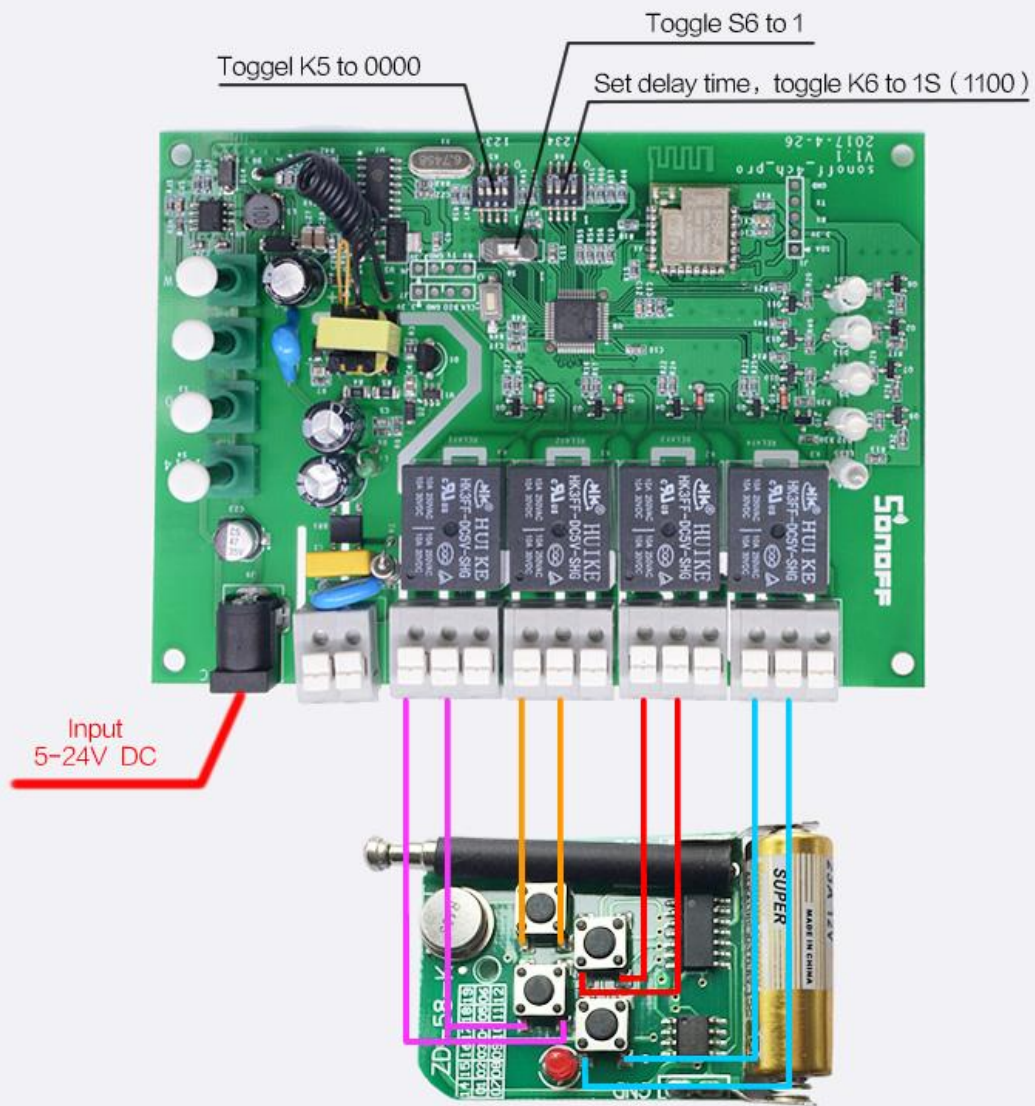
Note : only 1 motor can run each time.

DC Motor Wiring Diagram



Note : only 1 motor can run each time.

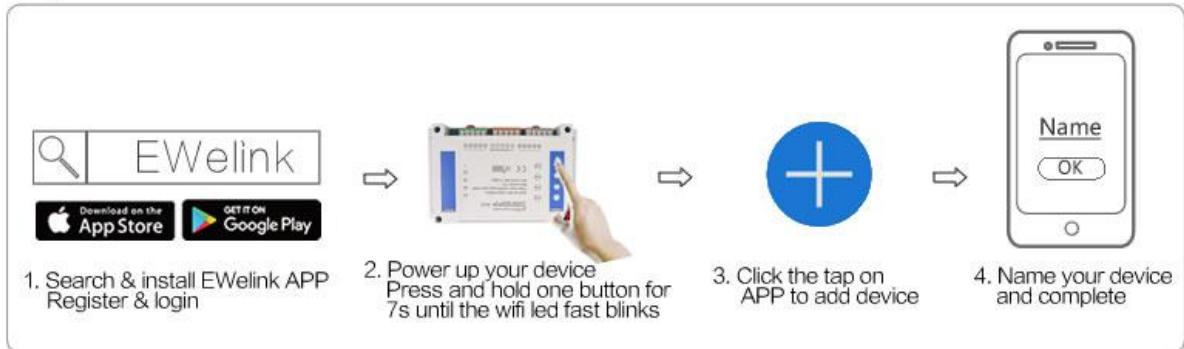
WiFi Remote Controller



WHAT CAN IT DO?



QUICK START



Features

- Turn on/off 4 home appliances remotely
- Supports switching among inching/interlock/self-locking modes
- Device status's synchronously display
- Scheduled/Countdown timers
- Share control
- Supports setting power on status
- 433MHz RF Remote control
- Works with Amazon Echo, Echo Dot, Amazon Tap
- Works with Google Home, Google Nest
- Works with IFTTT

Specifications

- Voltage Range: 90-250V AC(50/60Hz) / 5-24V DC
- Max Current: 10A/gang
- Max Power: 2200W/gang
- Wireless Frequency: WiFi 2.4GHz
- Wireless Standard: 802.11 b/g/n & 433MHz
- Security Mechanism: WPA-PSK/WPA2-PSK
- Enclosure Material: Fire-retardant ABS V0
- Gang: 4
- Dimension: 145*90*40 (mm)
- Operating Temperature(recommended): 0°C-40°C(32°F-104°F)
- Operating Humidity: 5%-90%RH, Non-condensing
- Certification: CE/FCC/RoHS ([Download the Certificate and Reports](#))