

## SME SONOFF 4CH R2 WIFI SWITCH

### Overview

Sonoff 4CH R2 is 4-gang switch with din rail mounting. Sonoff 4CH (R2) 4 gang light switch supports to connect and control 4 electrical appliances, which can be turned on/off separately by the buttons or iOS/Android App EweLink. Besides, with the multi gang switch, you can check real-time devices status for each device on App. Owning a Sonoff 4CH (R2) multi gang switch means you have 4 Sonoff basic WiFi switches integrate together.

The enclosure is din rail mount supported! A **DIN rail** is a metal rail of a standard type widely used for mounting circuit breakers and industrial control equipment inside equipment racks. This product is typically made from cold rolled carbon steel sheet with a zinc-plated or chromadid bright surface finish.

Sonoff 4CH (R2) 4 gang WiFi light switch belongs to Sonoff family, definitely, it bears all the functions basic Sonoff has. In EweLink, you can remote turn on/off from anywhere at any time, set single/repeat/countdown timing schedules to turn on/off at a specified time, share to others so that they can control together.

Sonoff 4CH (R2) is hacker-friendly that you can flash your firmware without difficulty. .

- CE/FCC/RoHS Certified Works With Amazon Alexa

You can ask Alexa to turn on/off Sonoff 4CH (R2).

Standard voice control commands phrases (if you just say the device name, Alexa will turn on/off all the 4 gangs immediately):

Alexa, turn on {deviceName}

Alexa, turn off {deviceName}

Alexa, turn on {deviceName} {gangName}

Alexa, turn off {deviceName} {gangName}

The default names for the 4 gangs are: outlet 1, outlet 2, outlet 3, outlet 4. You can change the name if you like.

Explanation: if the device name of your Sonoff 4CH (R2) is "My Switch", the gang name is "Outlet 1", then you can control with "Alexa, turn on My Switch Outlet 1".

# **SONOFF 4CH**

4-channel Wi-Fi wireless switch



Voltage Range: AC 90-250V(50/60Hz)  
Max Total Load: AC 250V 10A





EWeLink

*Internet of Everything*

-  Remote ON/OFF
-  Smart Timer
-  Energy-saving
-  Feedback Status
-  Multiple-control
-  one-to-one Control
-  One-tap Adding



# Timing Schedule

Support Single | Repeat | Countdown Timing Tasks  
Preset to turn on/off at specified time



## Voice Control with Amazon Alexa and Google Assistant



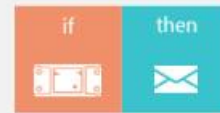
"Hey Google, turn on heater."



"Alexa, turn off light."

## Works With IFTTT

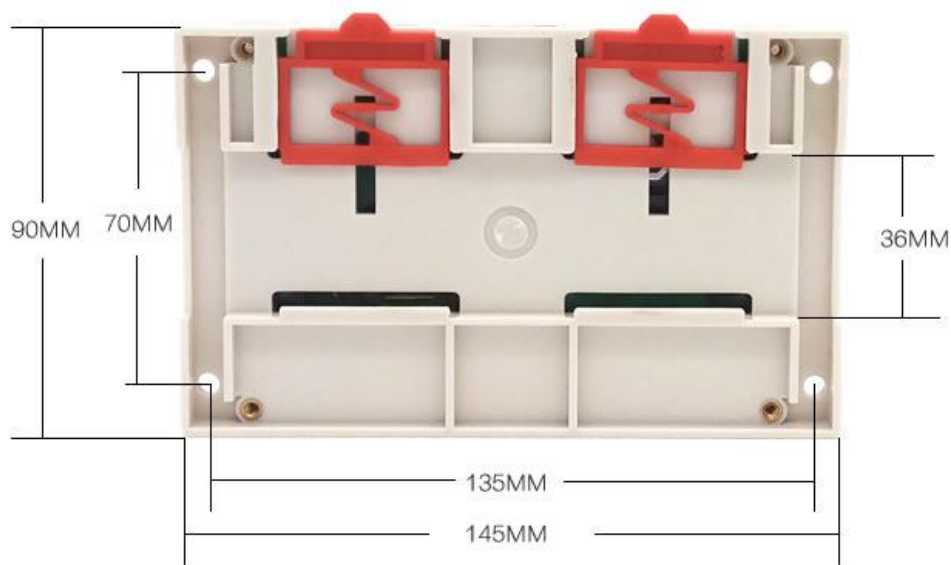
IFTTT helps your devices and apps work together in new ways



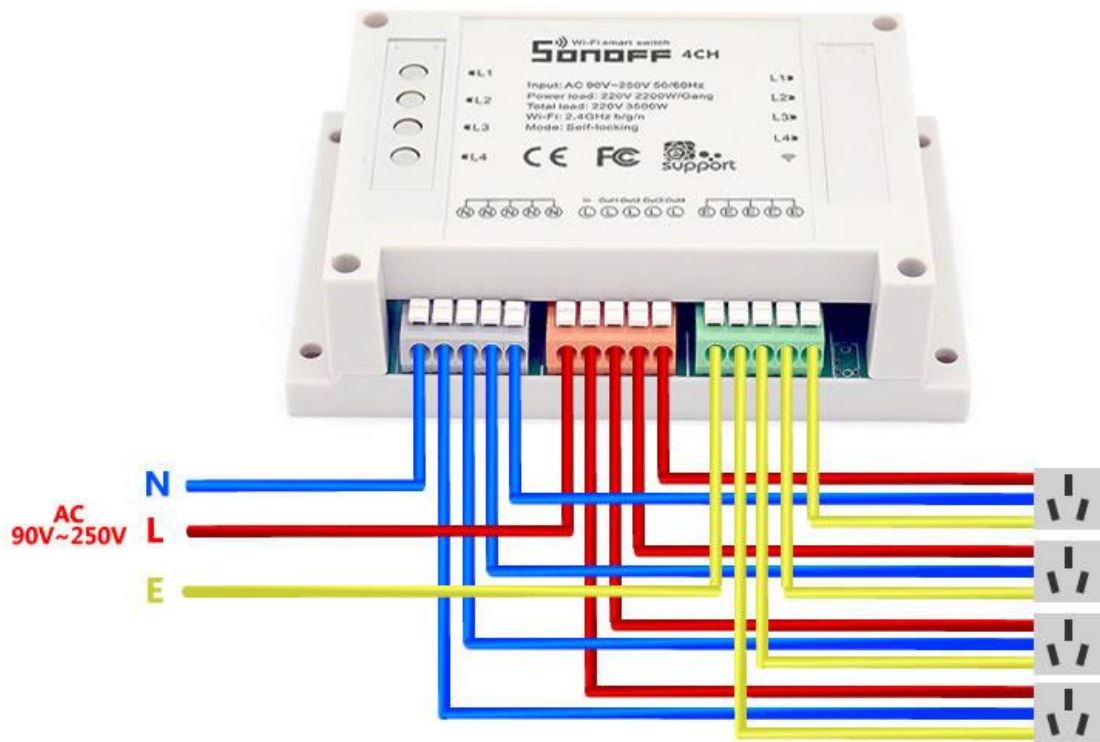
Industrial Design  
Easier to Use



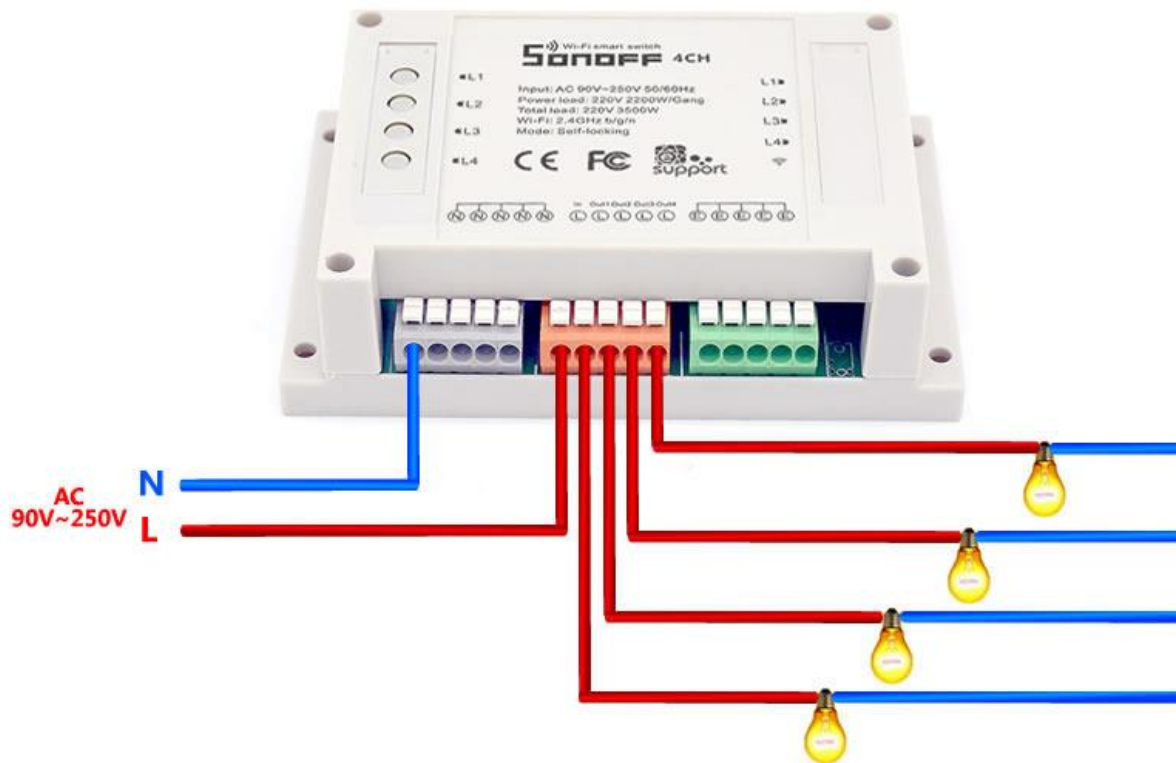
## DIN Rail Mount Enclosure



# Wiring diagram for Appliances



## Wiring diagram for Lights



### Features

- Turn on/off 4 home appliances remotely
- Device status's synchronously display
- Scheduled/Countdown timers
- Share control
- Supports setting power on status
- Works with Amazon Echo, Echo Dot, Amazon Tap
- Works with Google Home, Google Nest
- Works with IFTTT

### Specification

- Power Supply: 90V~250V AC(50/60Hz)
- Max. Current: 10A/gang
- Max. Power: 2200W/gang, 2200W/Total
- Wireless Standard: 802.11 b/g/n
- Security Mechanism: WPA-PSK/WPA2-PSK
- Enclosure Material: Fire-retardant ABS V0
- Gang: 4



- Dimensions: 145\*90\*40 (mm)
- Operating Temperature(recommended): 0°C-40°C(32°F-104°F)
- Operating Humidity: 5%-90%RH, Non-condensing