

# SN-IPV56/60HDR

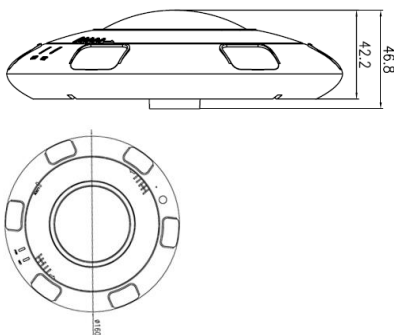
# 6MP 360° Fisheye Network Camera



## Key features

- 1/1.8" Progressive Scan CMOS
- 6MP Resolution
- Unique De-warping Image
- Low bitrate , Excellent low light performance
- 3D DNR, dWDR, ICR, HLC
- IR Range 10m
- Smart IR

## Dimension



## Accessories



SN-CBK636

## Specifications

CAMERA	
Image Sensor	1/1.8" Progressive Scan CMOS
Min. illumination	Color 0.01Lux(AGC ON); BW 0 Lux(IR On)
Day & Night	ICR (IR Filter Auto)
Shutter Speed	1/5-1/20000
Auto Iris	Auto
Wide Dynamic Range	dWDR
Digital Noise Reduction	2D/3D
Lens	1.6mm
FOV	360 degrees
IR LED	6pcs
IR Range	10m
IMAGE	
Video Compression	H.264 High/Main/Baseline Profile, MJPEG
Bit Rate (CBR/VBR)	500kb-12000kb
Audio Compression	G.711 ,RAW_PCM
Max. Resolution	3072*2048@15fps
Dual Stream	Stream1 3072*2048@15fps ,1920*1920/1440*1440/1920*1080@25fps/30fps Stream 2 1024*1024/ 720*720/ D1@15fps
Image Setting	Rotate Mode, Saturation, Brightness, Contrast, Sharpness
De-warping	Fisheye, Fisheye+3, Fisheye+5, Fisheye+7, Panorama, 4PTZ
Mount Type	Ceiling / Table / Wall
HLC	Yes
DIS	N/A
ROI	N/A
Defog	N/A
NETWORK	
Network Protocols:	HTTP, HTTPS, TCP/IP, IPv4, IPv6, UDP/IP, RTSP, DHCP, NTP, PPPoE, Unicast and Multicast supported.
Alarm Trigger	Network disconnect, Disk alarm, I/O alarm
RTSP Video	Standard RFC2326, Support Quick Time / VLC Player.
Security	User security authentication, Reset, Hardware Watch Dog
Web Language	English, Chinese
System Compatibility	Onvif, CGI, SDK
INTERFACE	
Ethernet	1 Ethernet (10/100 Base-T) RJ-45 Connector
Audio I/O	1ch Audio In, 1ch Audio Out
Alarm I/O	1ch Alarm In, 1ch Alarm Out
RS485	N/A
BNC Output	N/A
Reset Button	Yes
Edge Storage	Micro SD/SDHC/SDXC slot ,Max 64GB
GENERAL	
Power Supply	AC24V / DC12V / POE IEEE 802.3af
Power Consumption	5W IR LED OFF; 8W IR LED ON
Operating Temperature	-20℃~+60℃
Operating Humidity	0% - 90% RH
Ingress Protection	IP66
Approvals	CE / FCC
Product Dimensions	φ 160*46.8mm
Product Weight	700g