



## SOLAR PANEL SYSTEM FOR GATE MOTORS

---

### USER'S GUIDE

### SINGLE BATTERY MODEL INSTALLATION INSTRUCTIONS

---

#### SYSTEM COMPONENTS:

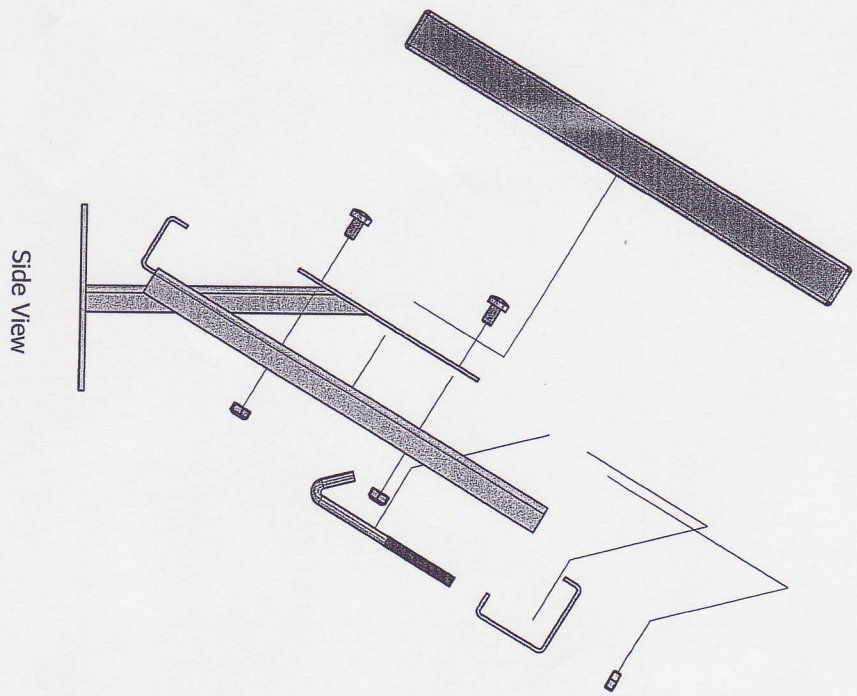
Solar Panel

The solar panel is a 20W unit capable of providing a 1.5A charge to the battery in normal sunny conditions. It replaces the standard charger that is installed in the gate motor.

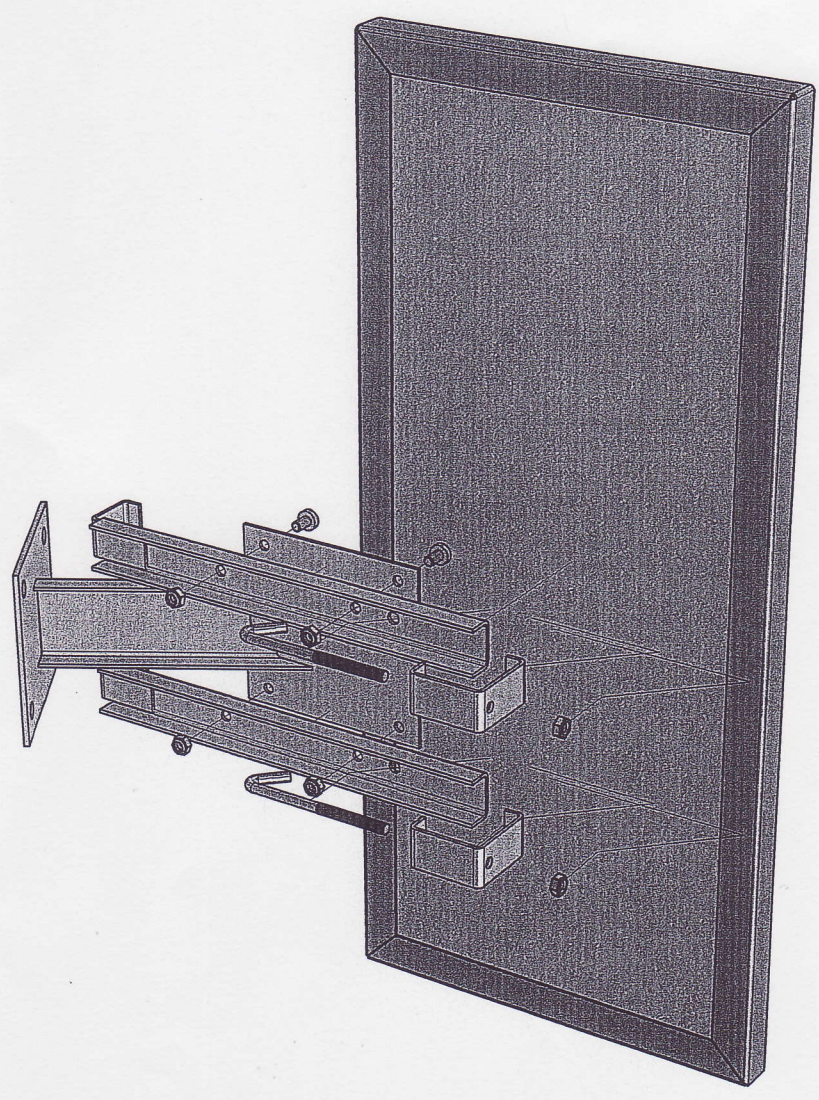
Solar panel mount

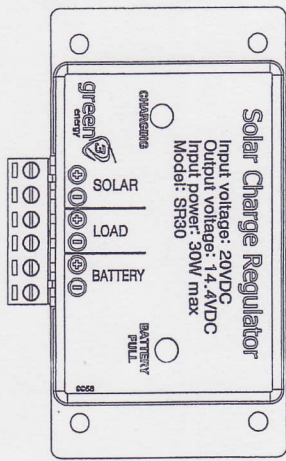
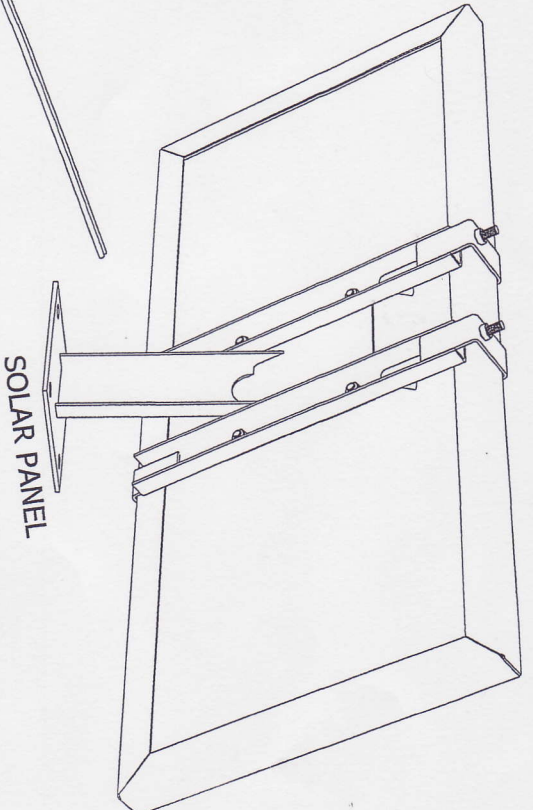
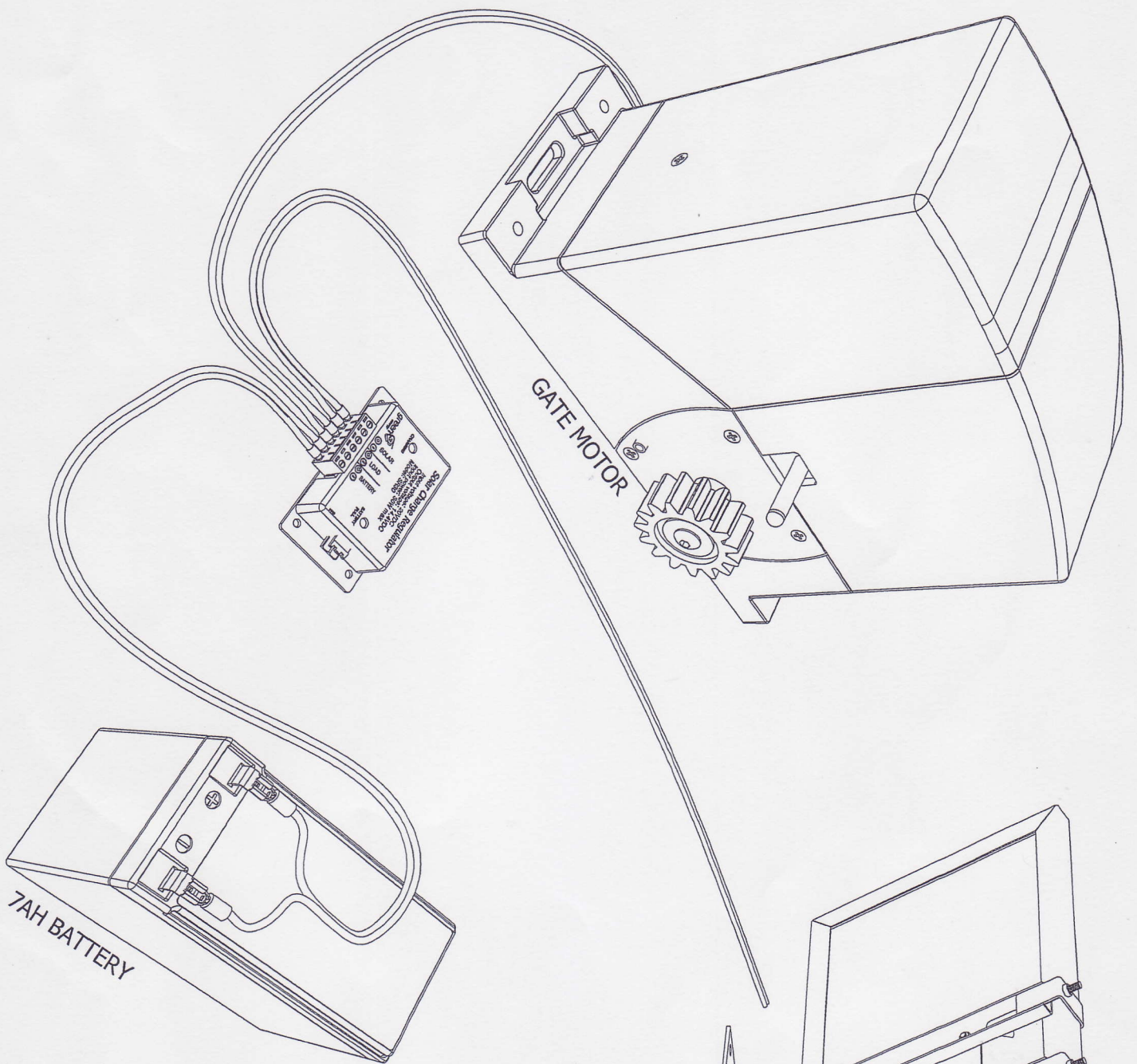
The mounting plate and accessories provide a fixing for the solar panel. The panel should be mounted at an approximate 23 degree angle to the sun in a northerly direction.

Assemble the solar panel stand as shown:



Side View





- 1) INSTALL SOLAR PANEL ON MOUNT SUPPLIED (SEE INSTRUCTION SHEET)
- 2) CONNECT THE 3M TWIN FLEX LEAD TO THE SOLAR PANEL. (RED TO + BLACK TO -)
- 3) CONNECT LEADS TO CONTROLLER
- 4) CONNECT LEADS TO BATTERY. OBSERVE POLARITY
- 5) STRAP REGULATOR TO MOTOR WITH TIE WRAPS SUPPLIED