



CNBM

CNBM International Corporation

POLYCRYSTALLINE SILICON MODULE

Product Characteristics:



Makes use of the most advanced type of modules for on-grid systems.



Leading manufacturing technology in PV industry, strict quality control of raw materials and production process



100% EL inspection, ensuring modules are defect-free



Cells binned by current to improve module performance



Anti-reflective glass increases light absorption and allows for easy cleaning of module, effectively reducing power losses caused by dust and dirt.



Outstanding performance in low-light irradiance environments



Excellent mechanical load resistance: certified to withstand wind loads of 2400pa and snow loads of 5400pa



High salt and ammonia resistance



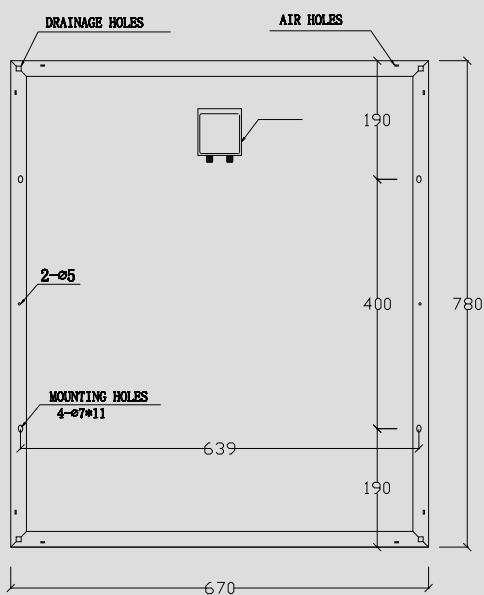
Positive power tolerance: 0 - +5W



0260



80W



Warranty:

10 Year product warranty

25 Year Linear Performance Warranty

Comprehensive Certificates:

ISO Certificate

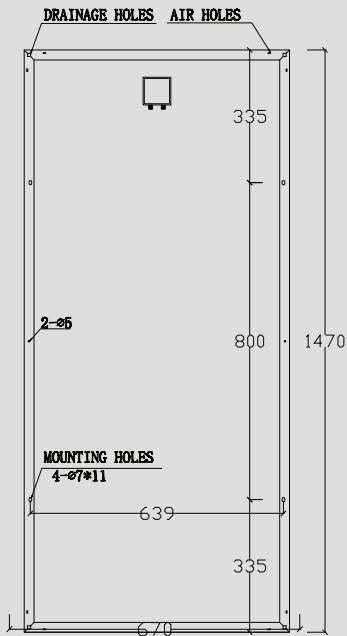
SGS-TUV Certificate

CQC Certificate

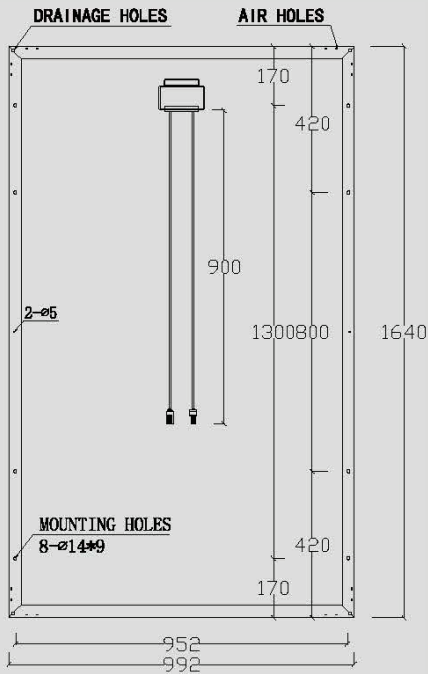
IEC61215, IEC61730 Certificate

CE Certificate

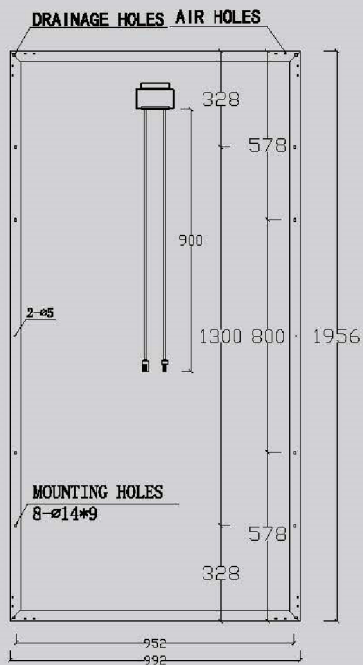
160W



270W



325W



CNBM POLYCRYSTALLINE SILICON MODULE

Mechanical Parameters

	CN-Poly-80	CN-Poly-160	CN-Poly-270	CN-Poly-325
Size of Cells (mm)	156x39	156x156	156.75x156.75	156.75x156.75
Cells and Connections	4x18=72	4x9=36	6x10=60	6X12=72
Dimensions (LxWxH)	780x670x30	1470x670x30	1640x992x40	1956x992x40
Weight (kg)	5.9	11	18.2	22.8
Glass	3.2mm Tempered Glass			
Encapsulation	EVA			
Backsheet	Multi-layer composite			
Aluminium Frame	Silvery/Black Anodized aluminium alloy			
Junction Box	IP67		IP68	
Cable	NA, customised is acceptable		4mm ² , 900mm	
Connector	MC4 and MC4 Compatible			
Package Configuration	6pcs/ctn	4pcs/ctn	26pcs/pallet	26pcs/pallet

Performance Parameters

	CN-Poly-80	CN-Poly-160	CN-Poly-270	CN-Poly-325
Max. System Voltage	700V	700V	1000V	1000V
Operating Temperature	-45 ~ +80°C			
Max. Series Fuse	10A	10A	20A	20A
Max. Static Load, Front				
Side (excl. Snow, Wind)	5400PA			
Max. Static Load, Back Side (excl. Wind)	2400PA			
Application Grade	Class A			

Electrical Parameters (Standard Test Condition)

	CN-Poly-80	CN-Poly-160	CN-Poly-270	CN-Poly-325
Rated Max. Power (Mp)	80W	160W	270W	325W
Power Tolerance	0 - +5W			
Cell Efficiency	18.3%	18.3%	18.4%	18.4%
Open Circuit Voltage (Voc)	22.6V	22.7V	38.3V	46.7V
Max. Power Voltage (Vmp)	18.5V	18.6V	31.1V	37.3V
Short circuit Current (Isc)	4.58A	9.13A	9.20A	9.33A
Max. Power Current (Imp)	4.32A	8.61A	8.68A	8.84A
Temp. Coefficient of Isc	+0.06%			
Temp. Coefficient of Voc	-0.33%			
Temp. Coefficient of Pmp	-0.45%			
Standard Test Condition	Irradiance: 1000W/M2, Cell Temp: 25°C, Spectrum: AM: 1,5			