



## EnerSol 25

— 0/+5 WP POSITIVE TOLERANCE

🏠 ROOFTOP AND OFF-GRID DESIGN

✓ HIGH QUALITY

25 year linear performance warranty  
10 year product warranty

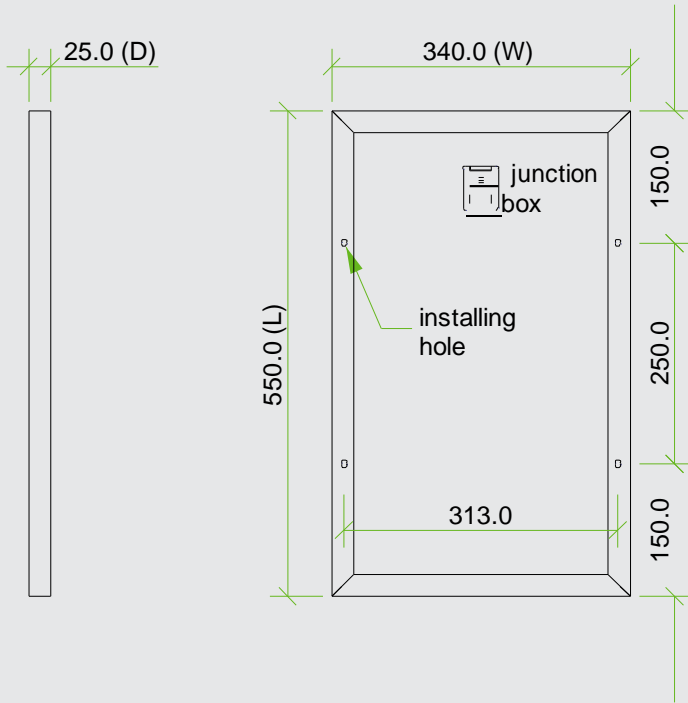


enerSol

High quality solar panels designed for rooftop and off-grid applications

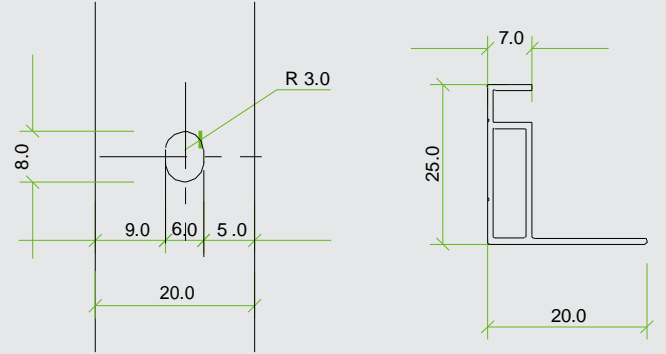


# EnerSol 25



## General characteristics

Cell	Polycrystalline solar cell 75 x 50 mm
No. of Cells (Connections)	36 (6x6)
Panel Dimensions	550 x 440 x 25 mm
Weight	2 kg
Connectors and Cables	Available upon request



## Thermal conditions

Normal Operating Cell Temperature 800W/m <sup>2</sup> Irradiance, 20°C, AM = 1.5	48°C ± 2°C
Power Temperature Coefficient	- 0.5%/K
Current Temperature Coefficient	0.035%/K
Voltage Temperature Coefficient	- 0.37 MV/K

## Limits

Operating Temperature	- 40°C to 85°C
Maximum System Voltage	1000V DC

## Electric performance at STC \*

Maximum Power	25 Wp
Power Tolerance	0/+5 Wp
Maximum Power Voltage	18 V
Maximum Power Current	1.38 A
Open Circuit Voltage	21.8 V
Short Circuit Current	1.63 A

\*Standard Test Conditions : 1000W/m<sup>2</sup> irradiance, 25°C and AM = 1.5

## High performance

25

25 Years  
linear performance

10

10 Years  
product warranty

