

Sonoff 4CH Pro - 4 Gang Inching/Self-Locking/Interlock WiFi RF Smart Switch

Overview

Sonoff 4CH Pro is a 4 gang WiFi switch. It supports switching among 3 working modes: interlock/self-locking/inching(0.25-4s adjustable) mode. It integrates with a 433MHz RF receiver module, making it possible for the switch to be controlled by [RF Remote](#). The Sonoff 4CH Pro smart switch is DIN Rail mounted.

SONOFF 4CH PRO

4-channel Smart Wi-Fi Switch 

Interlock | Self-locking | Inching



Input: AC 90-250V/ DC 5-24V
Max. Load: AC 250V/DC 30V/10A/Gang
Wireless: WiFi & 433MHz

Users can remotely turn on/off the connected lights/appliances by iOS/Android App eWeLink or 433MHz RF Remote. They can create 8 enabled single/repeat/countdown timers to automatically turn on/off at the specified time. The timers can run themselves even when network is unavailable. To let the devices be controlled by their family, they can simply share the devices to them and give specified timers permissions. They can even create some scenes or smart scenes to trigger ON/OFF the switch.



-  Remote ON/OFF
-  Smart Timer
-  Feedback Status
-  Self-locking mode
-  Interlock mode
-  Inching mode



Works With Amazon Alexa

You can ask Alexa to turn on/off Sonoff 4CH Pro.

Standard voice control commands phrases for Sonoff 4CH and Sonoff 4CH Pro (if you just say the device name, Alexa will turn on/off all the 4 gangs immediately):

Alexa, turn on {deviceName}

Alexa, turn off {deviceName}

Alexa, turn on {deviceName} {gangName}

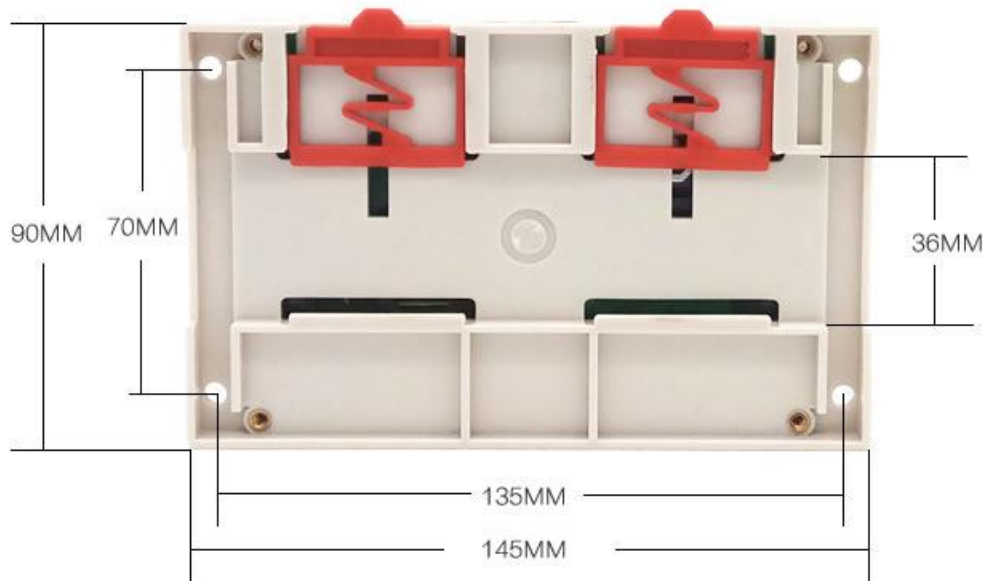
Alexa, turn off {deviceName} {gangName}

The default names for the 4 gangs are: outlet 1, outlet 2, outlet 3, outlet 4. You can change the name if you like.

Explanation: if the device name of your Sonoff 4CH is "My Switch", the gang name is "Outlet 1", then you can control with "Alexa, turn on My Switch Outlet 1".

For detailed tutorial, please click [here](#).

DIN Rail Mount Enclosure



SMART TIMER

Powerful Timing Function



Single timing



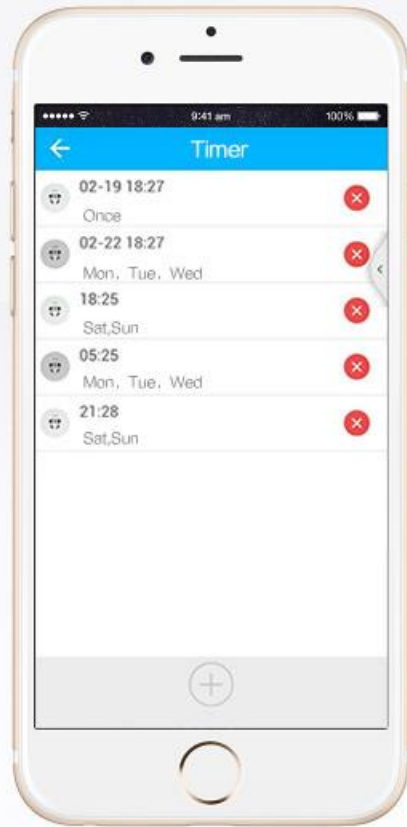
Repeat timing



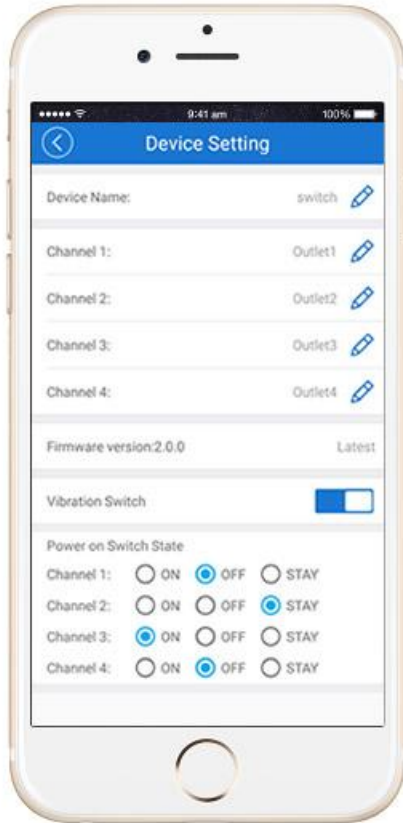
Countdown

SMART TIMER

✓ Preset timers can run even network unavailable



MORE SETTING



Rename your device

Rename each channel

Online upgrade firmware

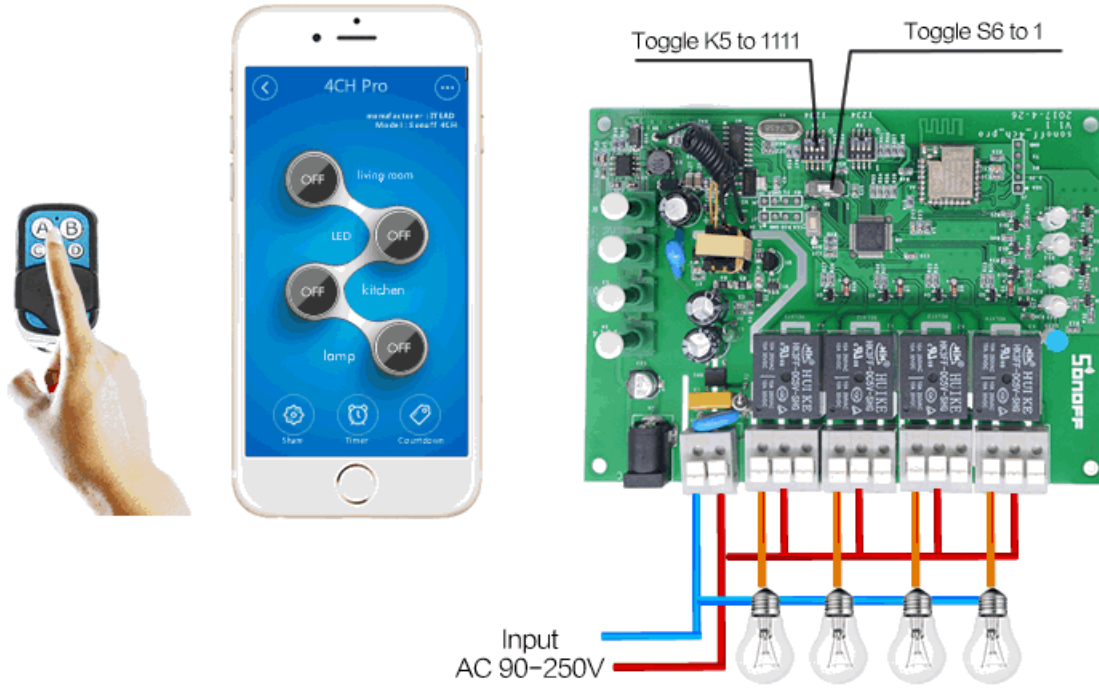
Vibration setting

Power on setting

In self-locking mode, users can turn on/off the 4 connected devices instantly and separately.

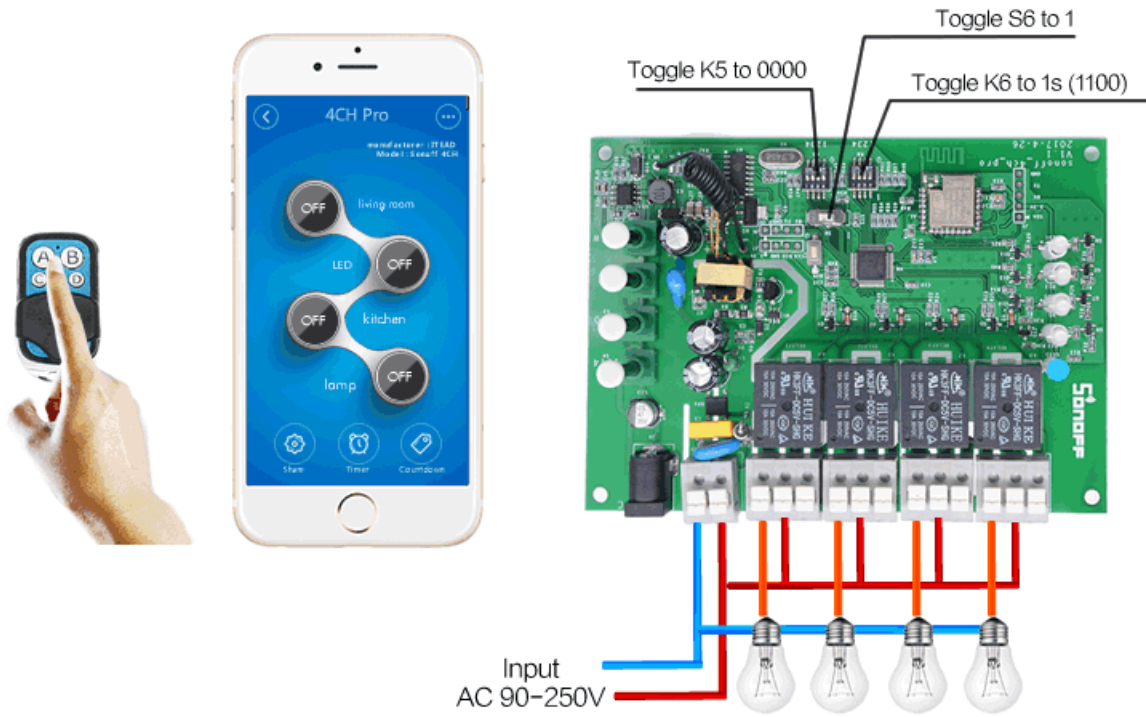
3 WORKING MODES

① Self-locking Mode GIF



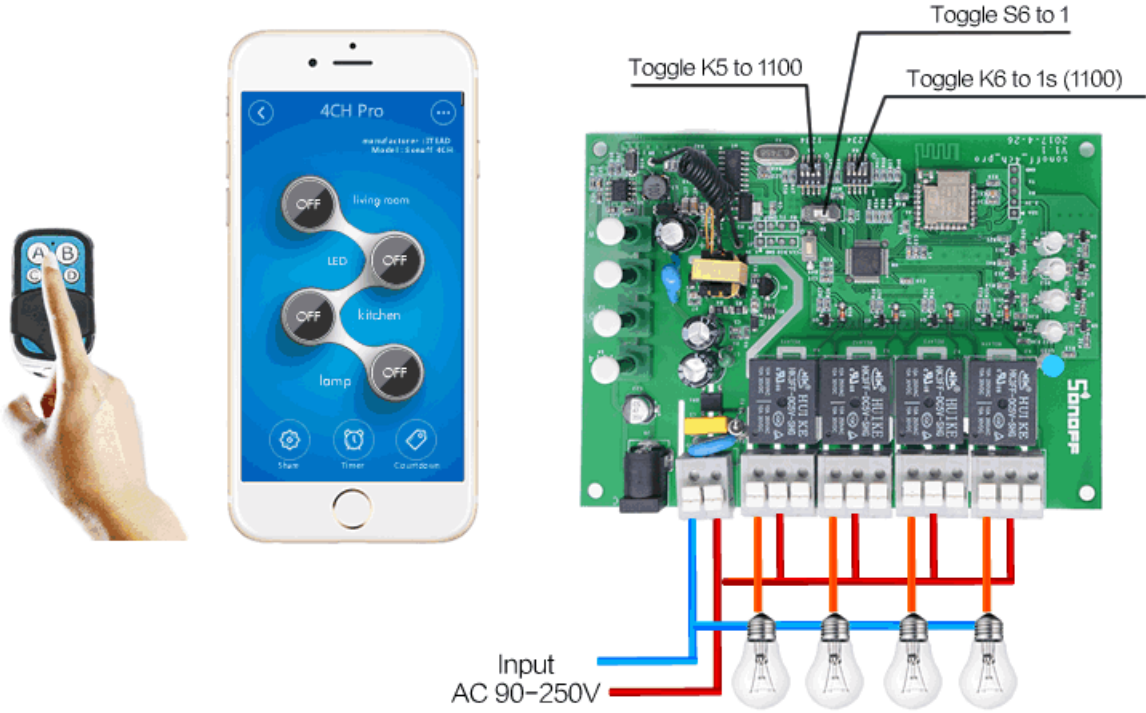
3 WORKING MODES

③ Inching Mode GIF

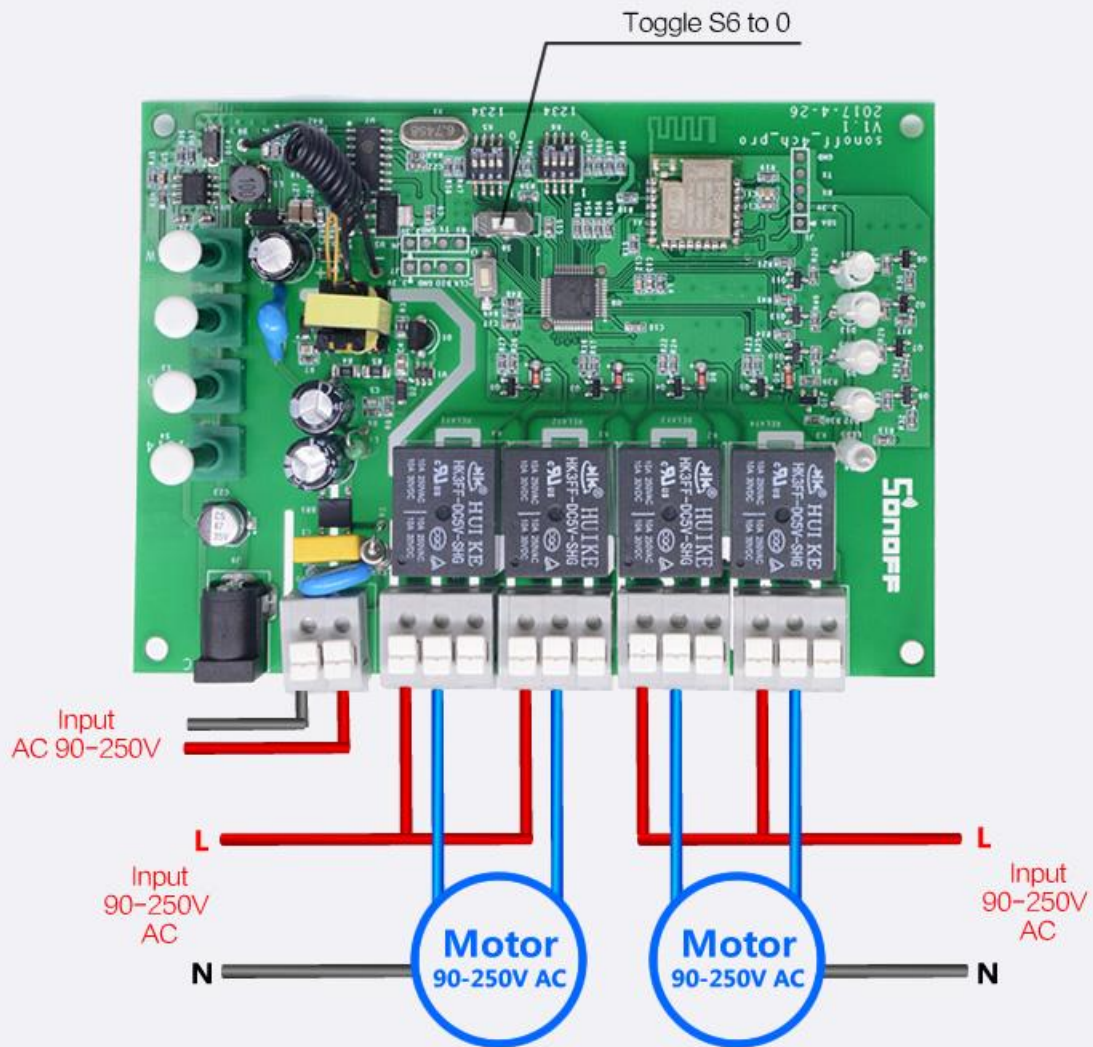


Users can set some devices in inching mode, while the others in self-locking mode.

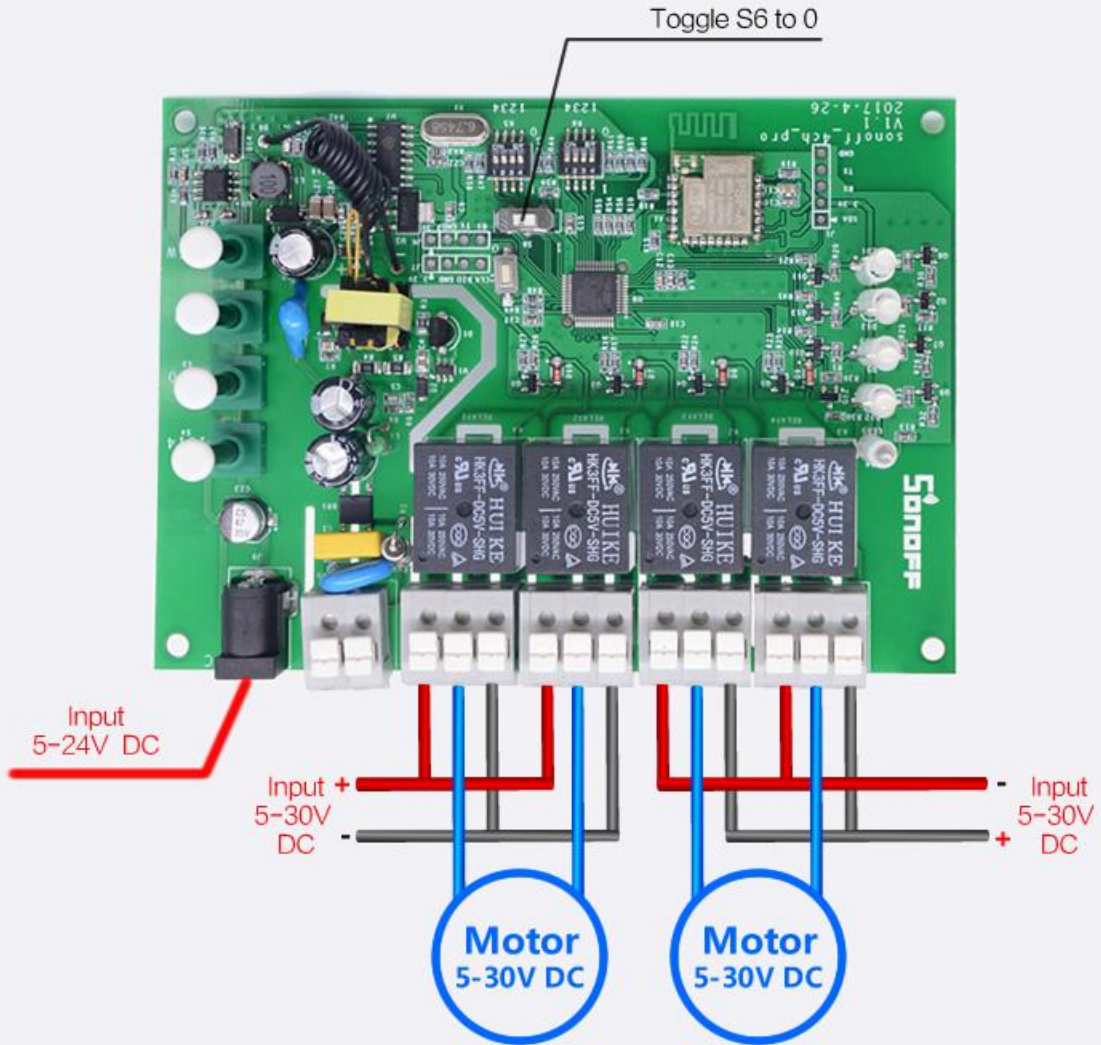
Self-locking Mode + Inching Mode GIF



AC Motor Wiring Diagram

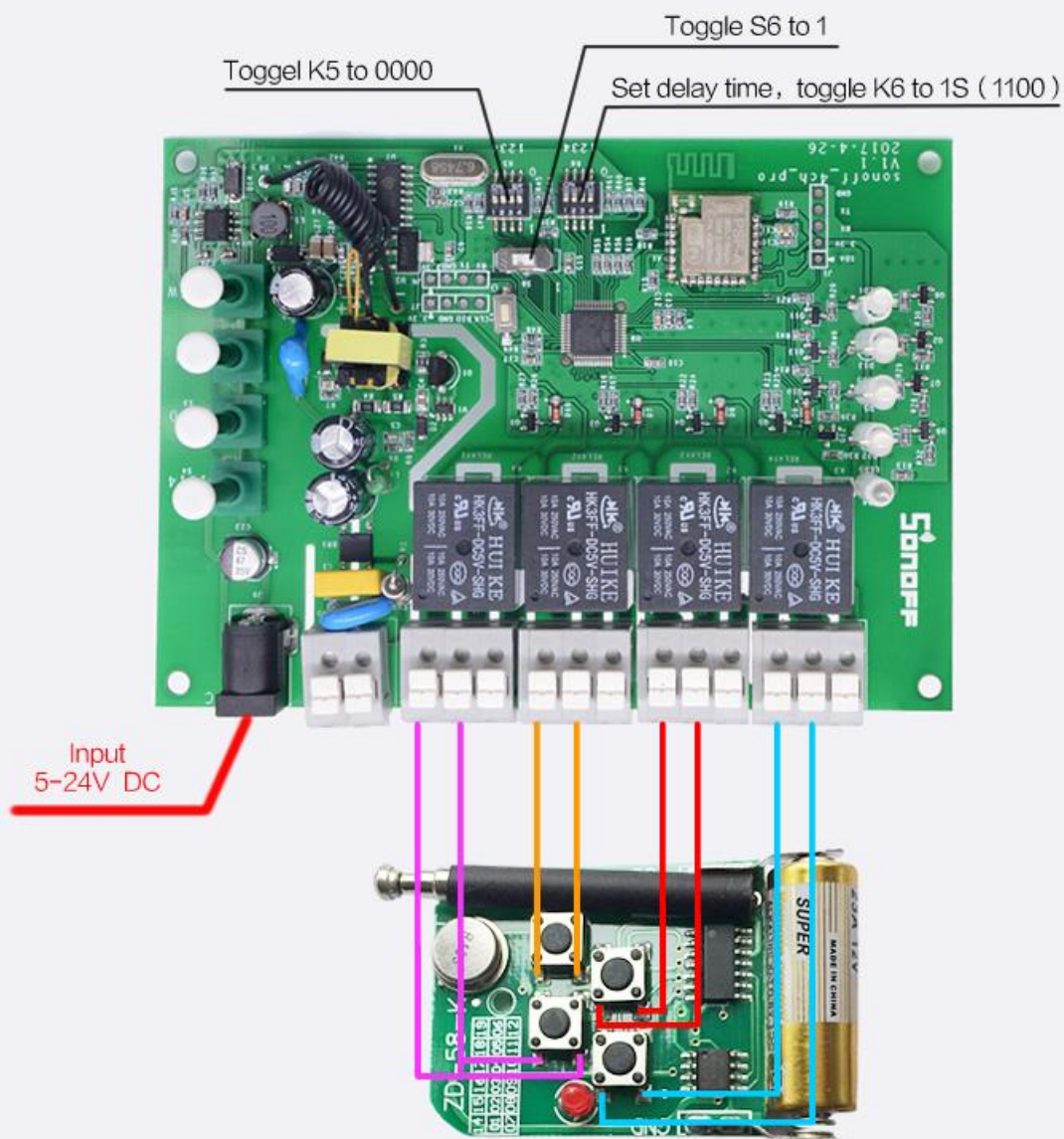


DC Motor Wiring Diagram



Note : only 1 motor can run each time.

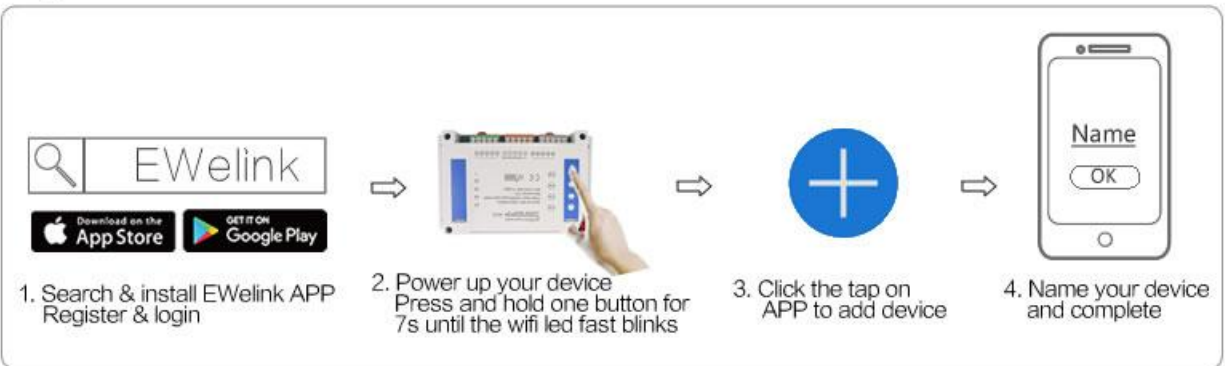
WiFi Remote Controller



WHAT CAN IT DO?



QUICK START



Features

- Turn on/off 4 home appliances remotely
- Supports switching among inching/interlock/self-locking modes
- Device status's synchronously display
- Single/Repeat/Countdown timers
- Share control
- Supports setting power on state
- 433MHz RF Remote control
- Works with Alexa
- Works with Nest

Specifications

- Voltage range: 90-250v AC(50/60Hz) / 5-24v DC
- Max current: 10A/gang
- Max Power: 2200W/gang
- Wireless Frequency: WiFi 2.4GHz
- Operating Temperature(recommended): 0°C-40°C(32°F-104°F)
- Operating Humidity: 5%-90%RH, Non-condensing
- CE/FCC/RoHS Certified ([Download the Certificate and Reports](#))

Package

Sonoff 4CH Pro*1

Note: The RF Remote is not included. Please order from [here](#).

Shenzhen BCTC Testing Co., Ltd.

BCTC Building & 1-2F, East of B Building, Pengzhou Industrial, Fuyuan 1st Road,
Qiaotou Community, Fuyong Street, Bao'an District, Shenzhen, China



Certificate of Compliance

Certificate Number: BCTC-FY170603510C

- Applicant** : ITEAD Intelligent Systems Co., Ltd.
5F, Building A, Yuxing Multiple-use Building, Huaya Industrial Park, Jihua Road., Longhua Dist, Shenzhen, GD, 518000, China
- Manufacturer** : ITEAD Intelligent Systems Co., Ltd.
5F, Building A, Yuxing Multiple-use Building, Huaya Industrial Park, Jihua Road., Longhua Dist, Shenzhen, GD, 518000, China
- Product** : Sonoff 4CH Pro-WiFi&RF Smart Switch
- Trademark** : 
- M/N** : Sonoff 4CH Pro
Sonoff 4CH

Essential requirement		Applied Specifications/Standards	Documentary Evidence
Art.3.1(a)	Safety	EN 62368-1: 2014	BCTC-FY170603511S
Art.3.1(a)	Health	EN 62311: 2008	BCTC-FY170603510-1E
Art.3.1(b)	EMC	Draft ETSI EN 301 489-1 V2.2.0 (2017-03) Draft ETSI EN 301 489-17 V3.2.0 (2017-03)	BCTC-FY170603510-2E
Art.3.2	Radio	ETSI EN 300 328 V2.1.1 (2016-11)	BCTC-FY170603510-3E

The EUT described above has been tested by us with the listed standards and found in compliance with the council Radio Equipment Directive(RED) 2014/53/EU. It is possible to use CE marking to demonstrate the compliance with this Directive. The scope of evaluation relates to the submitted documents only.



This certificate of conformity is based on a single evaluation of the submitted sample(s) of the above mentioned product. It does not imply an assessment of the whole product and relevant. Directives have to be observed.

Tel: 400 788 0558 0755 23010088



TCB

**GRANT OF EQUIPMENT
AUTHORIZATION**

TCB

Certification

**Issued Under the Authority of the
Federal Communications Commission**

By:

**Siemic Inc.
775 Montague Expressway
Milpitas, CA 95035**

Date of Grant: 07/04/2017

Application Dated: 07/04/2017

**ITEAD Intelligent Systems Co., Ltd
5F, Building A, Yuxing Multiple-use Building
Huaya Industrial Park, Jihua Road., Longhua
Dist,P.O. Box 518000,
Shenzhen,GD,
China**

Attention: Zhiyu Zheng

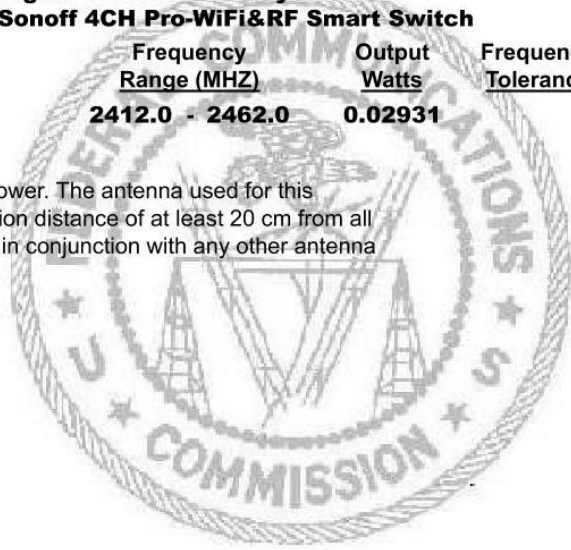
NOT TRANSFERABLE

EQUIPMENT AUTHORIZATION is hereby issued to the named GRANTEE, and is VALID ONLY for the equipment identified hereon for use under the Commission's Rules and Regulations listed below.

FCC IDENTIFIER: 2AE2J-4CH
Name of Grantee: ITEAD Intelligent Systems Co., Ltd
Equipment Class: Digital Transmission System
Notes: Sonoff 4CH Pro-WiFi&RF Smart Switch

<u>Grant Notes</u>	<u>FCC Rule Parts</u>	<u>Frequency Range (MHZ)</u>	<u>Output Watts</u>	<u>Frequency Tolerance</u>	<u>Emission Designator</u>
	15C	2412.0 - 2462.0	0.02931		

Power listed is the maximum conducted output power. The antenna used for this transmitter must be installed to provide a separation distance of at least 20 cm from all persons and must not be co-located or operating in conjunction with any other antenna or transmitter,.



Smart Home Product List

Product Name	Feature	Input Voltage	Max Current	Max Power	Wireless Frequency	Datasheet	Shopping
Sonoff	Wireless control switch	90~250V AC	10A	2200W	2.4Ghz	Click	Click
Sonoff RF	433 RF remote control smart switch	90~250V AC	10A	2200W	2.4Ghz, 433MHz	Click	Click
Sonoff SV	Low voltage Input	5~24V DC	290mA	240W	2.4Ghz	Click	Click
Sonoff TH10/TH16	Monitor and set temp.&hum.	90~250V AC	10A/16A	2200W(10A)/3500W(16A)	2.4Ghz	Click	Click
Sonoff Dual	Remote control 2 devices	90~250V AC	16A	3500W	2.4Ghz	Click	Click
Sonoff Pow	Report power & power usage	90~250V AC	16A	3500W	2.4Ghz	Click	Click
Sonoff G1	GPRS/GSM smart switch	90~250V AC	16A	3500W	2.4Ghz	Click	Click
Sonoff 4CH	4 Gang WiFi wireless switch	90~250V AC	10A	2200W	2.4Ghz	Click	Click
Sonoff 4CH Pro	4 Gang WiFi & RF 3 working mode switch	90~250V AC/ 5~24V DC	10A/Gang	2200W/Gang	2.4Ghz, 433MHz	Click	Click
Sonoff LED	App control dimming LED	180~265V AC	0.6A	42W	2.4Ghz	NO	Click
BN-SZ01	App control ceiling LED	180~264V AC	0.1A	18W	2.4Ghz	NO	Click
Sonoff Touch	WiFi wall touch switch	90~250V AC	2A	400W	2.4Ghz	NO	Click

Product Name	Feature	Input Voltage	Max Current	Max Power	Wireless Frequency	Datasheet	Shopping
Sonoff T1	WiFi RF wall touch switch	90~250V AC	2A/gang	600W/gang	2.4Ghz, 433MHz RF	NO	Click
Slampher	Wireless control light holder	90~260V AC	2A	200W	2.4Ghz, 433MHz	Click	Click
Sonoff B1	Dimmable White&Color Bulb	90~250V AC	2A	6W	2.4Ghz	NO	Click
S20 Smart Socket	Smart socket	90~250V AC	10A	2000W	2.4Ghz	Click	Click
iFan	Smart fan	185~264V AC	1A	60W	2.4Ghz	NO	Click
1 Chnl Inching/self-locking Switch	Access control	5V/12V DC	10A	50/120W	2.4Ghz	NO	Click
Sonoff SC	Monitor indoor environment	usb 5V	80mA	0.4W	2.4Ghz	Click	Click

For technical support, please go to [itead smart home forum](#)

Documents

Please visit our [wiki](#) page for more information about this product. Any suggestions for improvement, such as correcting errors, adding more demo codes or tutorials, will be highly appreciated.

Technical support

For technical support, please open a ticket on [itead Support System](#).

ADDITIONAL INFORMATION

Weight	350 g
Discontinued	No
Model	IM170424002

Link Wiki	https://www.itead.cc/wiki/Sonoff_4CH_Pro
Works With Google Nest	Yes
Works With Amazon Alexa	Yes
Ewelink Support	Yes