

FEATURES

- ※3.8x6mm of thinner type 2.5mm height
- ※Soft actuator with long travel
- ※Choice of actuation force

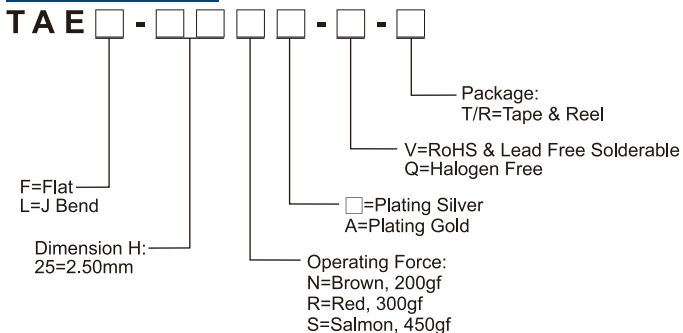
APPLICATION

- ※Car remote control
- ※Audio, OA equipment
- ※Instrumentation

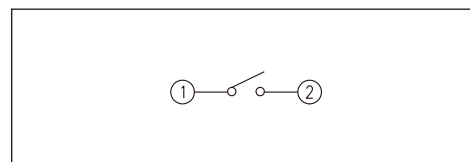
SPECIFICATION

Contact Rating	50mA, 12V DC
Contact Resistance	100mΩ max.
Insulation Resistance	100MΩ min. 100V DC
Dielectric Strength	300V AC/1 minute
Operating Force	200gf, Brown(N) 300gf, Red(R) 450gf, Salmon(S)
Travel	0.30mm, Brown(N) 0.35mm, Red(R) 0.45mm, Salmon(S)
Operating Life	100,000 cycles (S) 200,000 cycles (N/R)
Operating Temp.	-40°C ~ +85°C
Storage Temp.	-40°C ~ +85°C

HOW TO ORDER



CIRCUIT

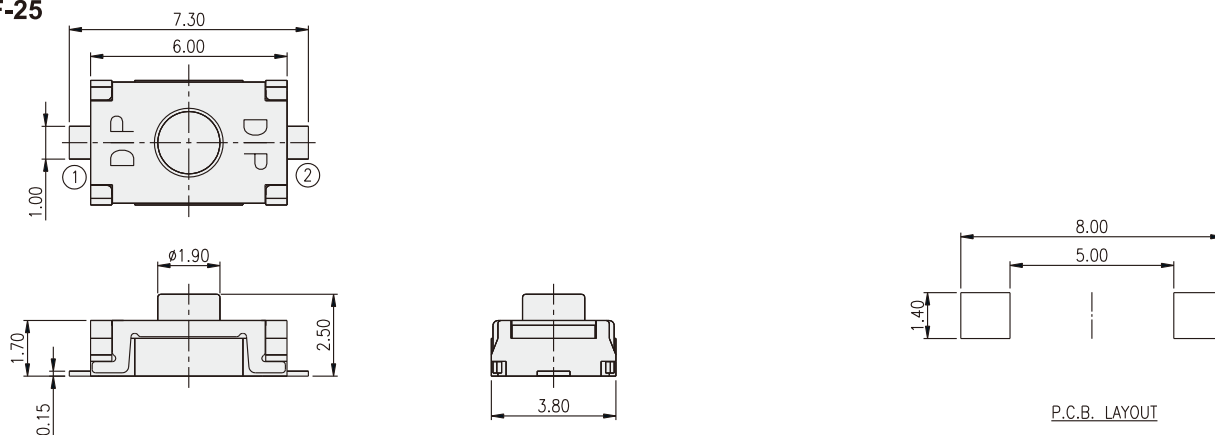


PACKAGE

<Tape & Reel>
2700 pcs

TACT SWITCH

TAEF-25



TAEL-25

