

UT651A/B Lamp Testers Operating Manual

I. Overview

UT651A/B is a rapid hand-held lamp detector, particularly applicable to lamp detections for household, offices, schools and factories.

⚠ Warning:

In order to prevent electric shocking or personal injury, it is required to read carefully the user manual, strictly observe the safety rules and precautions specified in the manual:

1. Never carry out measurement unless the lamp is de-energized.
2. Never touch any antenna of the instrument during measurement.
3. As to the measurement with on-off function, never apply the voltage more than the rated voltage.
4. Take out the battery if not use for a long time.
5. Replace timely with the proper batteries in case of low voltage.
6. Observe local safety rules as well as the rules in the country where you are located in.
7. Never use the instrument in a flammable or explosive environment.

II. Electrical symbol

⚠	Warning & caution safety label
□	Double insulation
⚡	Dangerous high voltage!
CE	Comply with EC standard

III. Appearance (Figure1/Figure 2)

1. Antenna
2. Lamp test indicator
3. On-off test indicator
4. Lamp test button
5. On-off test button
6. Flashlight button
7. Jack for on-off test

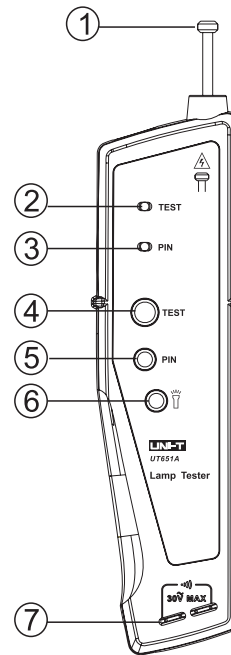


Figure 1

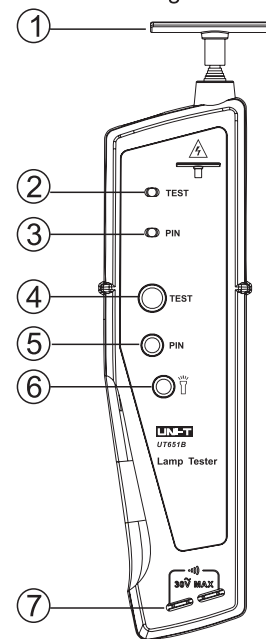


Figure 2

IV. The product conforms to CE standards.

V. Work environment

operating temperature: 0 ~ 40°C
Storage temperature: -10 ~ 50°C
Humidity: ≤75%
Altitude: ≤2000m
Pollution grade: 2

VI. Product functions

1. Measure neon light, energy-saving light, fluorescent light, mercury light and sodium light quickly (for reference only).
2. Capable of judging the quality of resistors of various lamps by means of on-off measurement.
3. The flashlight function allows for operation in darkness.

VII. Technical indicator

1. Input voltage: DC 6V.
2. Test output voltage: max/ about 3KV/frequency about 71KHz.
3. On-off measurement range: 1kΩ.
4. Low-voltage detection: when the voltage of battery to be detected is less than 4.5V, there will be buzzer alarm.
5. Flashlight: automatically turn off 5min later.

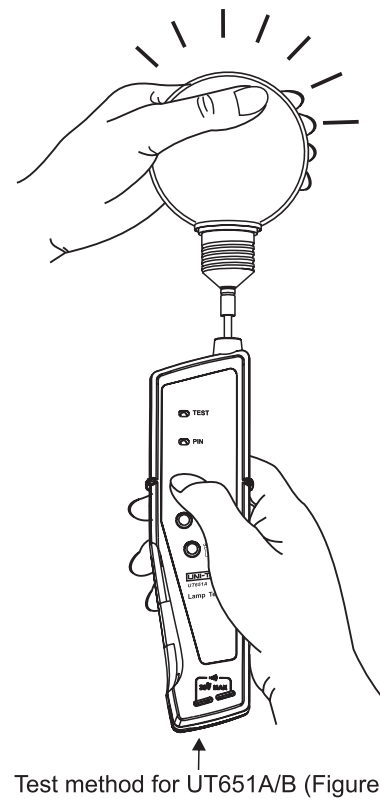
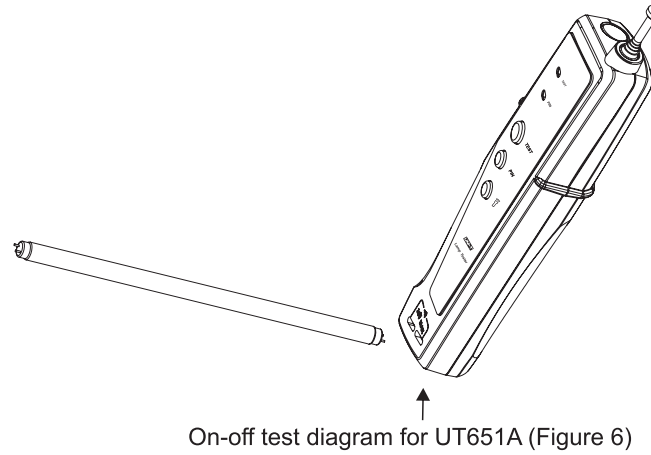
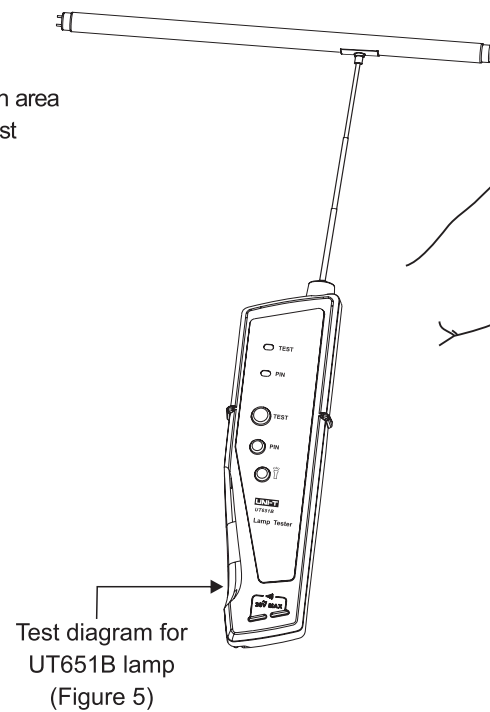
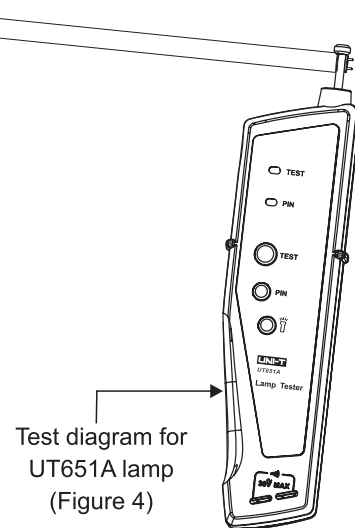
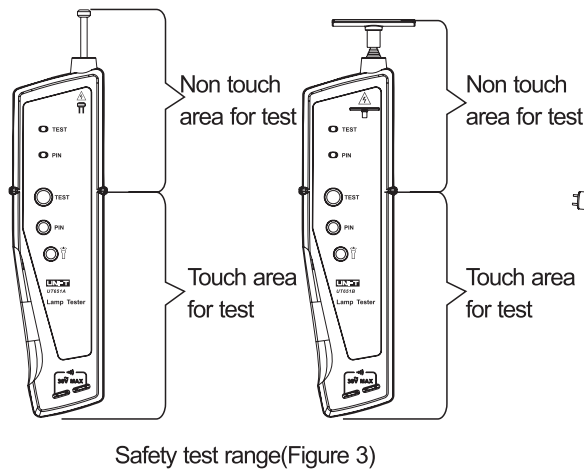
VIII. Operation procedures

1. Before testing lamps, regulate antenna length first (note: not required for UT651A), press the antenna footstock against lamp (UT651A antenna in close contact with metal), press down TEST to light up LED indicator and observe lamp for its intactness, detailed in Figure 4 (UT651A) and Figure 5 (UT651B). See Figure 7 for mercury lamp and sodium lamp test.
2. For on-off test, insert first the lamp pin to be measured into PIN test hole, press down PIN test button, accompanied by lighted LED indicator. Buzzer will make sound when

⚠ Note: do not touch antenna by hand when measure.

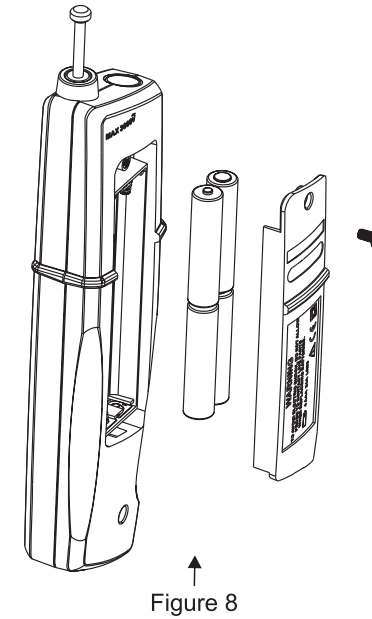
resistance value is less than 1KΩ, keep silent when the value is larger than 1.5KΩ and, if the measured value ranges from 1 KΩ to 1.5 KΩ, the buzzer may make or not make sound. (Transition socket should be purchased for testing the lamp that cannot be directly inserted in) Figure 4.

- Flashlight operation: switch the flashlight switch with short press on the flashlight button, the flashlight would automatically turn off 5min later.
- Keep away from the non-testing area (as shown in Fig.3) while testing;



IX. Battery replacement

4 ×1.5V AAA alkaline battery (LR03)



X. Cleaning

clean the instrument with wet cloth



Note:

After cleaning the detector, it is required to wait it completely dry before any operation.

Manufacturer:
 Uni-Trend Technology (China) Limited
 No 6, Gong Ye Bei 1st Road
 Songshan Lake National High-Tech Industrial
 Development Zone, Dongguan City
 Guangdong Province
 China
 Postal Code:523 808

Headquarters:
 Uni-Trend Group Limited
 Rm901, 9/F, Nanyang Plaza
 57 Hung To Road
 Kwun Tong
 Kowloon, Hong Kong
 Tel: (852) 2950 9168
 Fax: (852) 2950 9303
 Email: info@uni-trend.com
 http://www.uni-trend.com