

2MP 30x IR Network PTZ Dome Camera

IPC6222ER-X30(P)



Key Features

Optics

- 30X Optical Zoom
- Accurate and fast focusing
- Smart IR, up to 100 m (328 ft) IR distance
- Optical glass window with higher light transmittance
- IR anti-reflection window to increase the infrared transmittance

Compression

- H.264 High Profile
- Triple streams
- Customized OSD

Network

- ONVIF Conformance

Structure

- Innovative snow-removing functionality
- More effective heat dissipation system

- Intelligent temperature control technology
- 6 KV surge protection designed for network interface

Specifications

	IPC6222ER-X30	IPC6222ER-X30P
Camera		
Sensor	1/2.8", 2 megapixel, progressive scan, CMOS	
Lens	4.5 ~ 135 mm (30x optical zoom)	
Angle of View (H)	62.9° (wide) ~ 2.3° (tele)	
Iris	Auto/Manual; F1.6 ~ F4.8	
Shutter	Auto/Manual; shutter time: 1/6 s ~ 1/8000 s	
Minimum Illumination	Colour: 0.03 lux (F1.6, 50IRE) B/W: 0.01 lux (F1.6, 50IRE)	
S/N	>52dB	
Day/Night	IR-cut filter with auto switch (ICR)	
Video		
Max. Resolution	1920 × 1080	
Video Compression	H.264,MJPEG	
Frame Rate	1080P (1920*1080) 30 fps; 720P (1280*720) 30 fps; D1 (720*576) 25 fps	
Video Streaming	Triple	
OSD	Up to 8 OSDs	
Privacy Mask	Up to 8 areas	
Digital Zoom	Supported	
Audio		
Audio Compression	G.711	
Two-way audio	Supported	
Storage		
Edge Storage	Micro SD, up to 64 GB	
Network		
Protocols	L2TP,IPv4,IGMP,ICMP,ARP,TCP,UDP,DHCP,PPPoE,RTP,RTSP, NTP,FTP,HTTP,SNMP,SIP	
Compatible Integration	ONVIF, IMOS,API	
Pan & Tilt		
Pan Range	360° (endless)	
Pan Speed	0.1°/s ~ 240°/s	
	Preset speed: 300°/s	
Tilt Range	-15° ~ +90° (auto reverse)	
Tilt Speed	0.1° ~ 160°/s	
	Preset speed: 240°/s	
Number of Preset	255	
Patrol	Up to 16 patrols, up to 32 presets per patrol Note: The total number of patrols and patterns is 16.	
Pattern	Up to 16 patterns, with the total recording time not less 15 minutes per pattern	

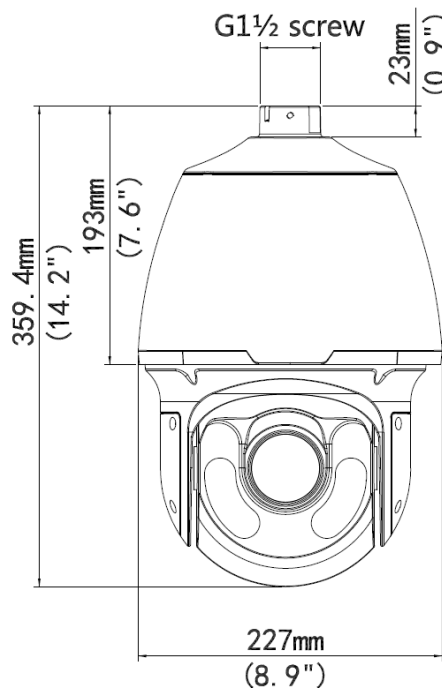
Interface

Audio I/O	Audio cable
	Input: impedance 35 kΩ; amplitude 2 V [p-p]
	Output: impedance 600 Ω; amplitude 2 V [p-p]
Alarm I/O	1/ 1
Network	1 RJ45 10M/100M Base-TX Ethernet

General

Power	24 V AC, 24 V DC	24 V AC, 24 V DC, PoE
	Power consumption: 9 ~ 42W (IR:16W, heater: Max. 24 W)	
Dimensions (Ø x H)	Ø227 x 359.4 mm (Ø8.9" x 14.2")	
Weight	5.28 kg (11.6 lb)	
Working Environment	-40°C ~ +65°C (-40°F ~ 149°F), Humidity ≤ 90% RH(non-condensing)	
Ingress Protection	IP66	

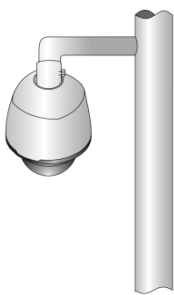
Dimensions



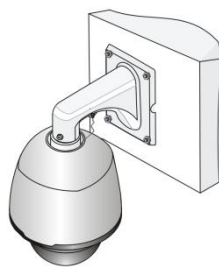
Installation



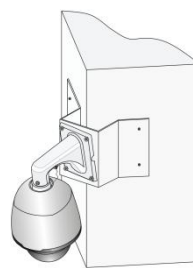
Pendant mount



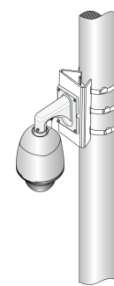
Standing pole mount



Wall mount



Corner mount



Pole mount

Accessories

Installation mode	Accessories	Description
Pendant mount	AE-TR-CE45 bracket	/
	Pendant components: AE-TR-UF45-A indoor ceiling plate AE-TR-UF45-B outdoor ceiling plate AE-TR-SE45 pendant rod (200mm) AE-TR-SE45-A pendant rod (500mm)	Ceiling plate is optional with different pendant rod for various applications
Standing pole mount	Customized bracket	The interface is designed with internal G1½ screws. The screw depth must be more than 23 mm.
Wall mount	AE-TR-WE45 bracket	/
Corner mount	AE-TR-WE45 bracket + AE-TR-UC08-A bracket	/
Pole mount	AE-TR-WE45 bracket + AE-TR-UP08-A bracket	/

Zhejiang Uniview Technologies Co., Ltd.

Building No.10, Wanlun Science Park, Jiangling Road 88, Binjiang District, Hangzhou, Zhejiang, China (310051)

Email: overseasbusiness@uniview.com; globalsupport@uniview.com

<http://www.uniview.com>

©2015 Zhejiang Uniview Technologies Co., Ltd. All rights reserved.

*Product specifications and availability are subject to change without notice.