



**IPC6248SR-X22**

# 4K Ultra-HD Network IR PTZ Dome Camera



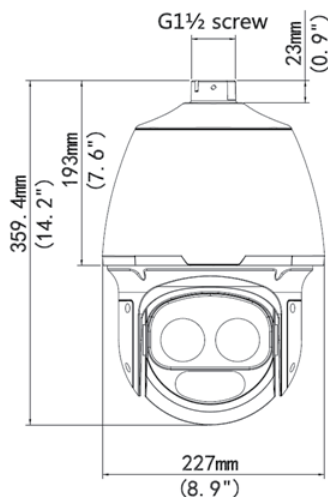
## Features :

- 1/1.7" progressive scan CMOS
- Up to 4000×3000 resolution
- 22x optical zoom(6.5~143mm)
- Smart IR, up to 150m IR distance
- Alarm I/O, Audio I/O, ONVIF
- All-weather design, IP66, -40°C ~ +70°C
- AC 24V, DC 24V, 14~48W

# IPC6248SR-X22

## 4K Ultra-HD Network IR PTZ Dome Camera

Camera	IPC6248SR-X22
Sensor	1/1.7" progressive scan, 12 megapixel, CMOS
Focus/Zoom	6.5~ 143 mm (22x optical zoom)
Iris	Auto/Manual; F1.5 ~ F3.4
Shutter	Auto/Manual; shutter time: 1/6 s ~ 1/8000 s
Min. Illumination	Color: 0.02 lux (F1.5, 50IRE); Black/white: 0 lux
S/N	>55dB
Day/Night	IR-cut filter with auto switch (ICR)
Video	
Video Compression	H.264
Frame Rate	12 megapixel (4000×3000): max. 20 fps; 4K (3840×2160): max. 30 fps
Video Streaming	Triple
Audio	
Audio Compression	G.711
Two-way Audio	Supported
Storage	
Edge Storage	Micro SD, up to 128 GB
Network	
Protocols	L2TP, IPv4, IGMP, ICMP, ARP, TCP, UDP, DHCP, RTP, RTSP, DNS, DDNS, NTP, FTP, UPnP, HTTP, SNMP, SIP
Compatible Integration	ONVIF, API
Pan & Tilt	
Pan	Pan range: 360° Pan speed: 0.1°/s ~ 240°/s Preset speed: 300°/s
Tilt	Tilt range: -15° ~ +90° (auto reverse) Tilt speed: 0.1° ~ 160°/s Preset speed: 240°/s
Number of Preset	256
Interface	
Audio I/O	Audio interface 1 Input: impedance 35 kΩ; amplitude 2 V [p-p] 1 Output: impedance 600 Ω; amplitude 2 V [p-p]
Alarm I/O	2 alarm inputs, 1 alarm output
Serial Port	1 RS485
Network	10M/100M Base-TX adaptive Ethernet
Video Output	1 BNC, impedance 75 Ω; amplitude 1 V [p-p]
General	
Power	24 V AC ±25% (default power supply), 24V DC ±25% Power consumption: 14 ~ 48W Overvoltage/overcurrent protection
Dimensions (Ø x H)	Ø227 mm x 359.4 mm (Ø8.9" x 14.2")
Weight	5.5 kg (12.1 lb)
Working Environment	-40°C ~ +70°C (-40°F ~ 158°F), Humidity ≤ 90% RH(non-condensing)
Ingress Protection	IP66



\*Product specifications and availability are subject to change without notice.

Zhejiang Uniview Technologies Co., Ltd.  
Address: Building No.10, Wanlun Science Park, Jiangling Road 88, Hangzhou, P. R. China, 310051  
Website: [www.uniview.com](http://www.uniview.com) Email: [overseasbusiness@uniview.com](mailto:overseasbusiness@uniview.com)

©2016 Zhejiang Uniview Technologies Co., Ltd. all rights reserved.  
2016.01-OM-160128-OWN V1.0

