

4K Ultra HD Vandal-resistant Fisheye Fixed Dome Camera

IPC868ER-VF18



Key Features

Optics

- Ultra wide angle lens, 360° Panoramic Image
- Embedded infrared light, 360° fill-in light, Up to 20 m (65 ft) IR distance
- 3D DNR (Digital Noise Reduction)

Compression

- 4K, Max. 4000 * 3000 Resolution
- Built-in Microphone & Speaker, Two-way talk supported
- Six streams
- ROI (Region of Interest)
- Distortion correction supported

Network

- ONVIF Conformance

Structure

- PoE Supported
- Wide temperature range: -30°C to 60°C (-22°F to 140°F)

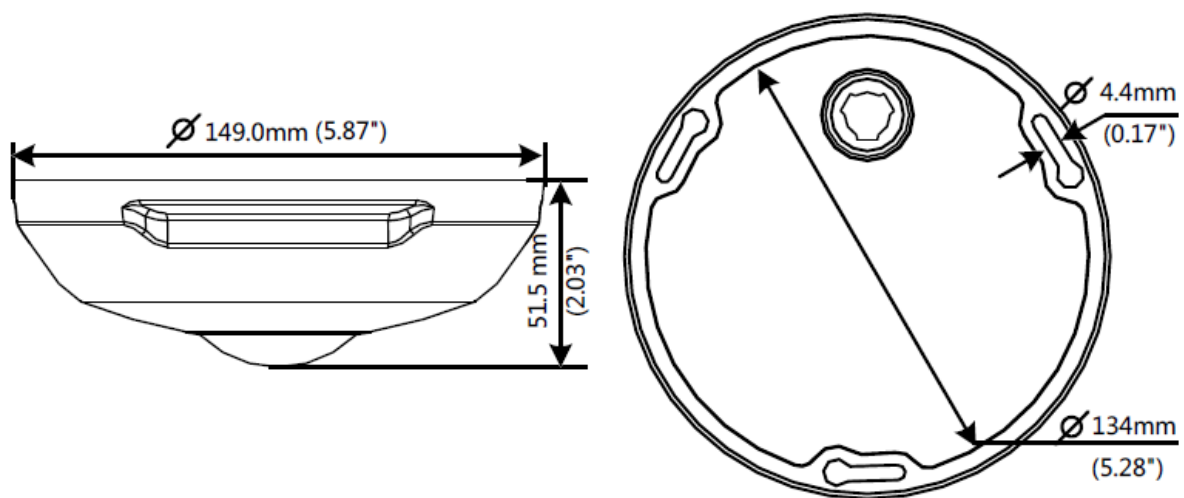
- Wide voltage range of $\pm 25\%$
- IK10
- IP66

Specifications

Camera	Specific
Image sensor	1/1.7", 12 megapixel, progressive scan, CMOS
Focal Length	1.8mm
Aperture	F1.6
Shutter	Auto/Manual, shutter time: 1/6 s ~1/8000 s
Minimum Illumination	Colour: 0.06 Lux (F1.6, 50IRE) 0 Lux with IR
S/N Ratio	>55dB
Day / Night	IR-cut filter for day & night function
Video	Specific
Compression	H.264
Frame Rate	12MP (4000*3000): Max.20fps; 4K (3008*3000): Max.25fps
ROI(Region of Interest)	Supported
Maximum Streams	Six streams(1 fisheye view, 1 overall view, 4 PTZ View)
OSD	Up to 8 OSD
Privacy Mask	Supported
Audio	Specific
Audio Compression	G.711
Two-way audio	Supported
Storage	Specific
Edge Storage	Micro SD, up to 128GB
Network	specific
Protocols	L2TP, IPv4, IGMP, ICMP, ARP, TCP, UDP, DHCP, PPPoE, RTP, RTSP, DNS, DDNS, NTP, FTP, UPnP, HTTP, SNMP, SIP etc.
Compatible Integration	ONVIF, API
Interface	Specific
Audio I/O	Audio interface
	Input: impedance 35 k Ω ; amplitude 2 V [p-p]
	Output: impedance 600 Ω ; amplitude 2 V [p-p]
	1 built-in Microphone & 1 built-in Speaker
Alarm I/O	2 / 1
	Multiple Alarm linkage editable
Serial	1 channel RS485 interface
Network	10M/100M Base-TX Auto-adaptive Ethernet
Video Output	1 BNC, impedance 75 Ω ; amplitude 1 V [p-p]

General	Specific
Power	DC12V±25%, PoE (IEEE802.3at)
	Power consumption: Max. 21 W
Dimensions (Ø x H)	Ø149mm x 51.5mm (Ø5.9" x 2.0")
Weight	<0.5kg(1.1lb)
Working Environment	-30°C~60°C(-22°F ~ 140°F), Humidity ≤ 90% RH
Vandal Resistant	IK10
Ingress Protection	IP66

Dimensions



Zhejiang Uniview Technologies Co.,Ltd.

South Tower, Building 10, Wanlun Science Park, 88 Jiangling Road, Hangzhou, P.R.China 310051

Email: overseasbusiness@uniview.com; globalsupport@uniview.com

<http://www.uniview.com>

©2016 Zhejiang Uniview Technologies Co.,Ltd. All rights reserved.

*Product specifications and availability are subject to change without notice.