



Professional CCTV System 1080P Fisheye Camera

User Manual



Please Read This User Guide Carefully Before Use.

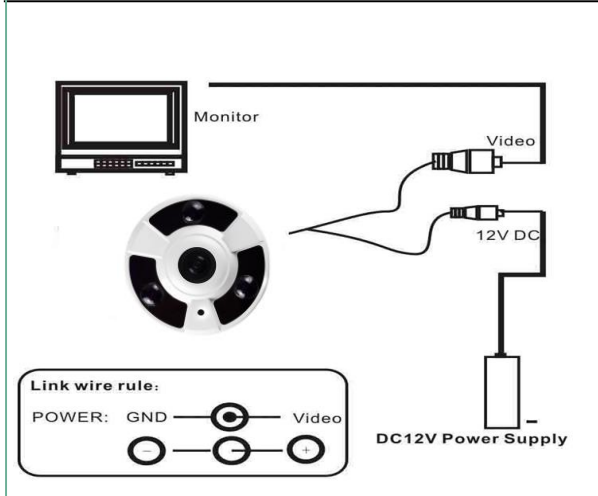


Warning



To prevent fire or electric shock hazard, .
Only use specified power supply

CONNECTING CCTV SYSTEM



Specification

Model	XY-AHD17360FED 4IN1
Sensor	1080P CMOS Image Sensor
System	PAL
Picture Elements	PAL:1920(H)*1080(V)
Horizontal Recolution	2.0 Megapixel
Video OutPut	Hybrid Video Output
S/N Ratio	≥48dB
Min.Illumination	0LUX(IR ON)
Electronic Shutter	1/50(1/60)S~1/100,000S
White Balance	Auto
Gamma Ratio	>0.45
Lens Mount	1.7mm fisheye lens
Operating Temp.	-10℃ ~ +50℃
Humidity	0 to 95%RH(non-condensing)
Power/Current	DC 12V
Sync System	2:1 Interlace internal Sync.
IR Project Distance	5M / 3 units Array LED
IR Status	On
Outdoor/Indoor	Indoor

Packing list

Name	Model	Number
Digital CCTV Camera	XY-AHD17360FED 4IN1	1
User Manual	XY-AHD17360FED 4IN1	1

Changing the Setting on 4 in 1 camera

Hold button for 5 seconds according to table below to change setting.

Once set, remove power - Unit will now remain on new setting.

DIRECTION	UP	DOWN	RIGHT	LEFT
VIDEO	CVI	TVI	AHD	ANALOGUE (CVBS)

Note: Camera default setting is AHD.

Method to change to TVI:

Hold button to DOWN for approx 5 sec, camera will switch to TVI, pull out power from camera, camera will remain set to TVI.

Method to change to Analog (CVBS):

Hold button to LEFT for approx 5 sec, camera will switch to Analog, pull out power from camera, camera will remain set to Analog.

Method to change to CVI:

Hold button to UP for approx 5 sec, camera will switch to CVI, pull out power from camera, camera will remain set to CVI.



Notes:

- *Please Please note the camera's operating temperature and its working environment.Avoid using the camera at too high or too low temperatures.
- *Never install the camera facing the direct sunlight or bright object. otherwise damage to the CCD will occur.
- *Dont mount the camera near a radiator or heater.