



XY-R01G-DIN

DIN Rail PoE Surge Protector

Product Overview

XY-R01G-DIN is single-port PoE surge protector, which has 1 input port and 1 output port. It supports 8 lines network signals and provides surge protection for PoE wires. The maximum common mode surge voltage is 10KV(10/700us) and differential mode surge voltage is 1.5KV(10/700us). It supports 10/100/1000Mbps of data speed. It also supports PoE wires with IEEE802.3af/at/bt or PoE++ standard and protects your device against surge damage.

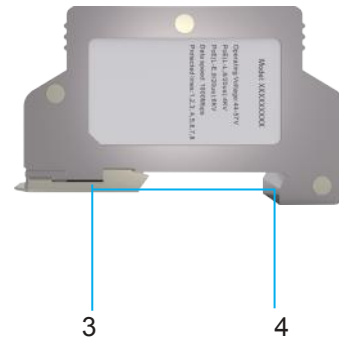
XY-R01G-DIN is designed for indoor use with Zinc alloy shell, which works with 60Vdc Max voltage and operates under -40°C to 85°C. It is connected to network over Cat5e/Cat6 cables with RJ45 connector conveniently and tightly. This model equipped standard DIN rail mounting bracket, which can easily jam into the guide rail. The DIN rail as a ground wire to transmit the current to the earth.



Product Profile

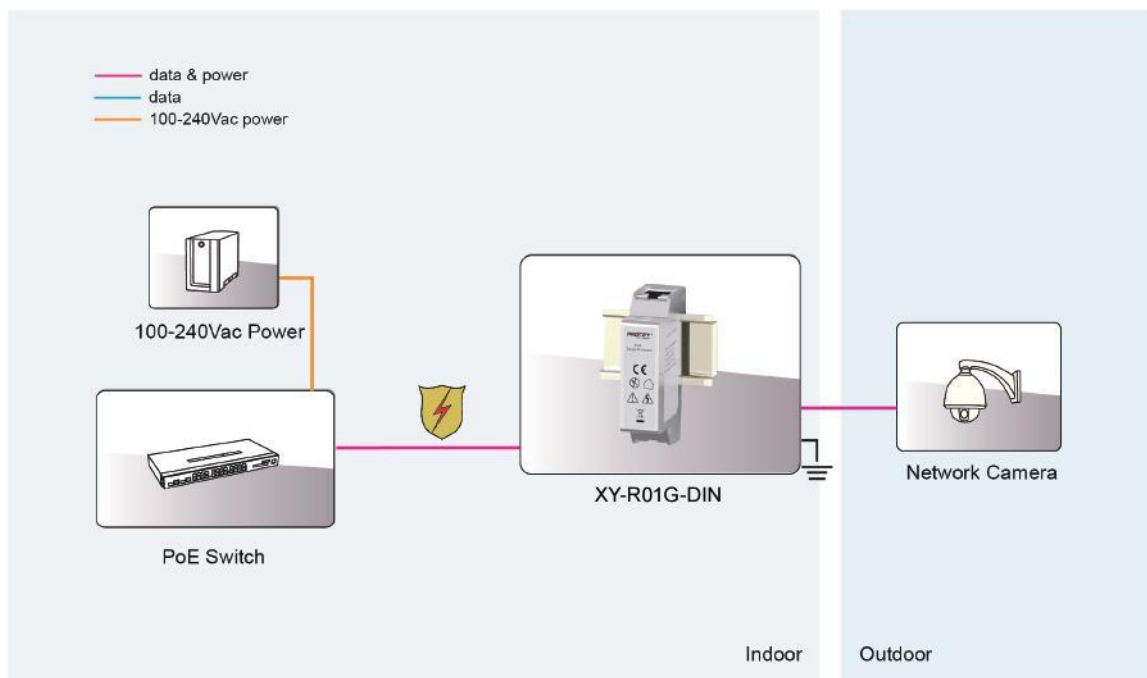


1.2 Surge Protector Input Or Output Port



3.4.DIN Rail Mounting Bracket

Product Working Diagram



Specification

Standard

- IEEE802.3 10Base-T Ethernet
- IEEE802.3u 100Base-Tx Fast Ethernet
- IEEE802.3ab 1000Base-T Gigabit Ethernet
- Support PoE wire with IEEE802.3af/at standards
- Support 110W IEEE802.3bt and PoE++ standards
- RoHS Compliance
- WEEE Compliance

Input & Output

- Operating Voltage: 60Vdc Max
- Maximum Operating DC Current :1A for 2 pairs
2A for 4 pairs
Maximum 110W
- Data Speed: 10/100/1000Mbps

Working Environment

- Operating Temperature: -40°C to 85°C
- Operating Humidity: 20% to 80%, non-condensation
- Storage Temperature: -40°C to 85°C
- Storage Humidity: 10% to 90%, non-condensation
- Operating Altitude: up to 2000meters

PoE Surge Protection

- Max Discharge Current: 10KA(8/20us, 1.25KA per line)
- Protected Line: 1,2,3,4,5,6,7,8
- Common Mode Protection Level(10/700us): 10KV
- Differential Mode Protection Level(10/700us): 1.5KV
- Insertion Loss @10MHz/100MHz: -1db
- Return Loss @10MHz/100MHz: -20db
- Response Time: 5ns

Mechanical Characteristics

- Case: Zinc alloy
- Color: Grey
- Mounting: DIN Rail mounted
- IP Rated: IP40
- Size: 77.2mm X 45mm X 19mm
- Weight: 115g

Safety Approvals

- CE

EMI

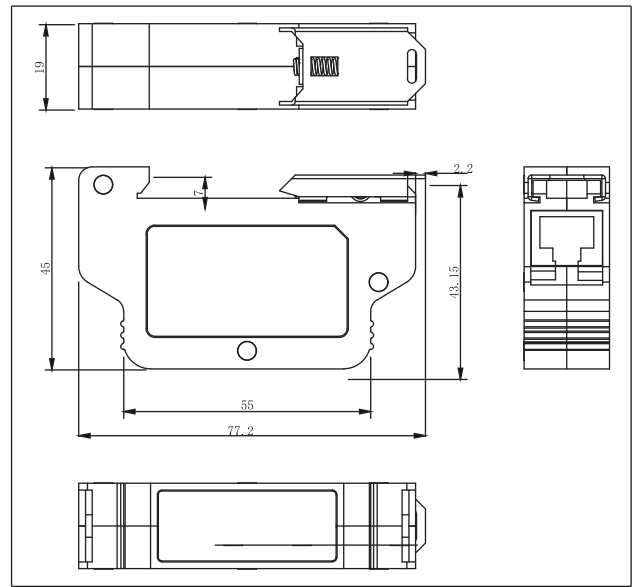
- FCC CFR47 Part 15, EN55035, EN55032

EMS

- IEC61000-4-2(ESD) $\pm 6kV$ (contact), $\pm 8kV$ (air)
- IEC61000-4-3(RS) 10V/m(80MHz~2GHz)
- IEC61000-4-4(EFT) Power Port: $\pm 2kV$; Data Port: $\pm 1kV$
- IEC61000-4-5(Surge) Power Port: $\pm 1kV/DM$, $\pm 2kV/CM$
- IEC61000-4-6(CS) 10V(150kHz~80MHz)

Immunity

- IEC60068-2-6(Vibration)
- IEC60068-2-27(Impact)
- IEC60068-2-32(Free Fall)



Order Info. XY-R01G-DIN

DIN rail PoE Surge Protector/60Vdc Max/1000Mbps/10KV Surge Protection/Indoor use