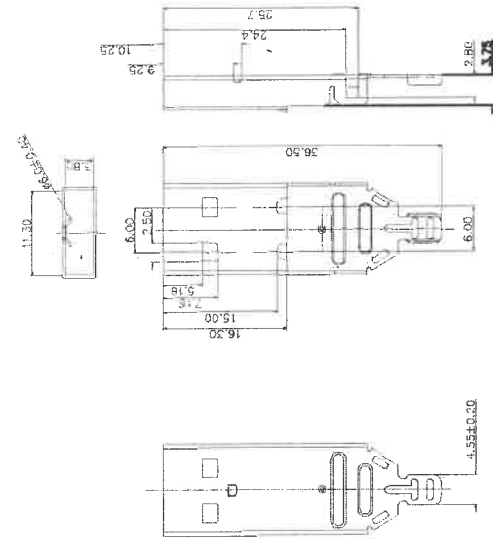


THE INFORMATION CONTAINED IN THIS DOCUMENT IS PROPRIETARY TO Y-S ELECTRONIC. ANY REPRODUCTION IN PART OR WHOLE WITHOUT PRIOR WRITTEN APPROVAL OR AUTHORIZATION OF Y-S ELECTRONIC IS STRICTLY PROHIBITED.

ROHS COMPLIANT



Front Shell

Back Shell

REV.	DESCRIPTION	ECN NO.	DWN.	CHK.	APVD.	DATE
A						2006-11-13
B	重新製殼面					2024-02-15

Product Specification
 Material
 Housing: PBT & Glass-Fiber, UL-94V-0
 Color: White
 Contact : Brass,Gold Flash.
 Shell: SPCC,Nickel Plated.

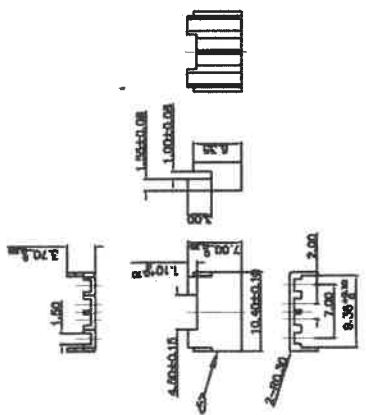
Electrical
 Voltage Current Rating:
 1. AMP,30 VAC
 Insulation Resistance :
 1000 megohms MIN
 Contact Resistance:
 30 milliohm Max
 Dielectric Withstanding Voltage:
 AC 750V
 Temperature Rating : -55°C ~ +105°C

No. Of Pins
 04-positions
 Contact Type
 Male (Standard)

Contact Plating
 Gold flash selective gold

Shell Plating
 Nickel

Insulator Color
 White



COMMUNICA (PTY) (LTD)
 A WORLD OF ELECTRONICS Reg. No. 1979/003717/

■ HEAD OFFICE
 Tel (012) 657-3500
 Fax (012) 657-3550

■ PRETORIA
 Tel (012) 328-7008
 Fax (012) 328-7018

■ CAPE TOWN
 Tel (021) 447-0948
 Fax (021) 447-0959

E-Mail: sales@communica.co.za
 Web: www.communica.co.za

<input type="checkbox"/> [MM] [INCH]	<input type="checkbox"/> INCH [mm]	<input type="checkbox"/> ONLY	<input type="checkbox"/> CAD GENERATED DRAWING, DO NOT MANUALLY UPDATE
<input type="checkbox"/> DECIMALS	<input type="checkbox"/> ANGLES	<input type="checkbox"/> X: ±0.36 [0.015]	<input type="checkbox"/> CHECKED BY AND DATE JACK CHEN 2010-06-08
<input type="checkbox"/> .XX ±0.25 [0.010]	<input type="checkbox"/> .X' ±1.0'	<input type="checkbox"/> THIRD ANGLE PROJECTION	<input type="checkbox"/> APPROVED BY AND DATE FRANKY CHEN 2010-06-08
MATERIAL:			<input type="checkbox"/> FINISH:
SCALE: 1:1		SIZE: A3	

TITLE
USB SOLDER TYPE (A TYPE)

DRAWING NO. Y99008X

REV B SHEET 1 OF 1

DO NOT SCALE DRAWING