

Iboard

-Multi-type communication board based on Arduino

Overview



Iboard is a unique Arduino board which features a WIZnet ethernet port, an XBee socket, nRF24L01+ module interface and an ATmega328. This board will add wireless XBee / nRF24L01+ control as well as internet connectivity to your projects. It's great for anything from home automation to robot control. The possibilities are endless!

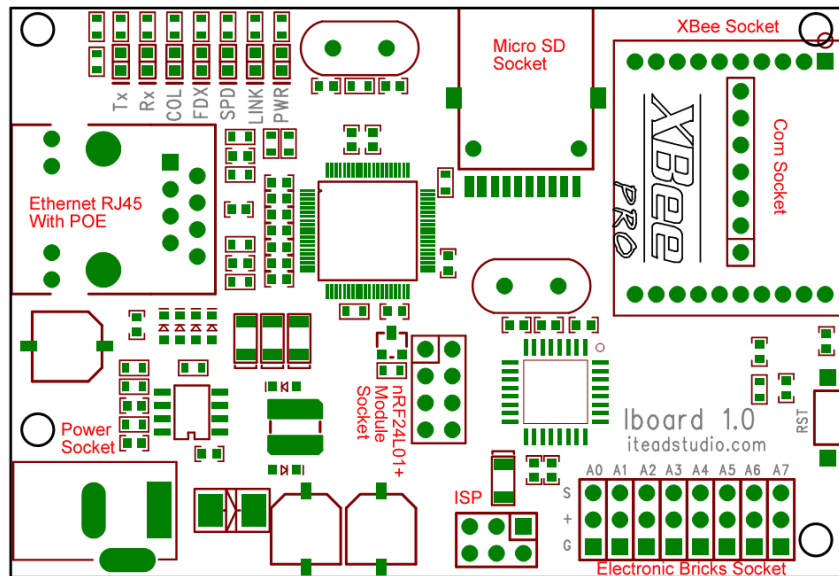
Specifications

PCB size	79.2mm X 53.8mm X 1.6mm
Power supply	6~20V DC
Microprocessor	Atmega328
Indicators	PWR, Tx, Rx, COL, FDX, SPD, LINK
RoHS	Yes

Electrical Characteristics

Specification	Min	Type	Max	Unit
Power Voltage	6	-	23	VDC
Input Voltage VH Target Voltage = 3.3V	3	3.3	3.6	V
Input Voltage VL:	-0.3	0	0.5	V
Current Consumption	-	100	500	mA

Hardware



Top View Map

Iboard can be used as an Ethernet, wireless communication project development platform. Iboard support POE (power on Ethernet) power supply, and Micro SD for mass storage. There are some 3pin electronic brick/ sensor brick interface breakout on board, it offer an easy way for a quick prototyping.

The board requires FTDI basic board to upload sketch, you can use our Foca board to do it. Iboard can be powered by a mini USB, power Jack or POE.

Software

Iboard is designed for compatible for SD and Wiznet libraries of Arduino, and all demo codes could be downloaded directly here:

<http://www.ladyada.net/learn/arduino/ethfiles.html>

With embedded bootloader, Iboard is easy to use by Arduino IDE through Foca series. ISP of Atmega328 is broke out for download firmware easily.

Revision History

Rev.	Description	Release date
v1.0	Initial version	2011-11-20