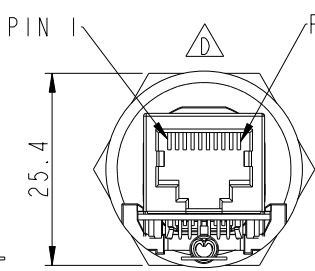
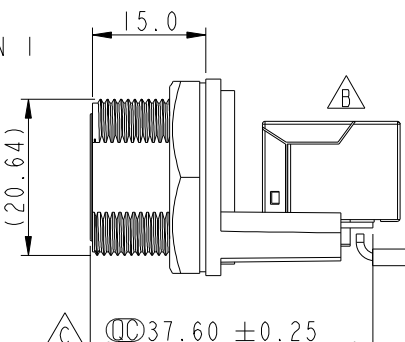
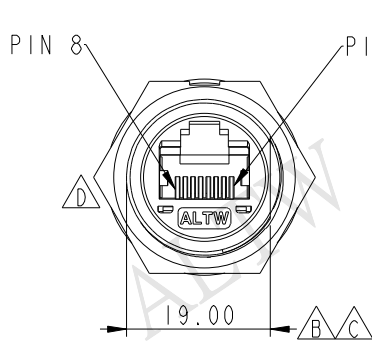
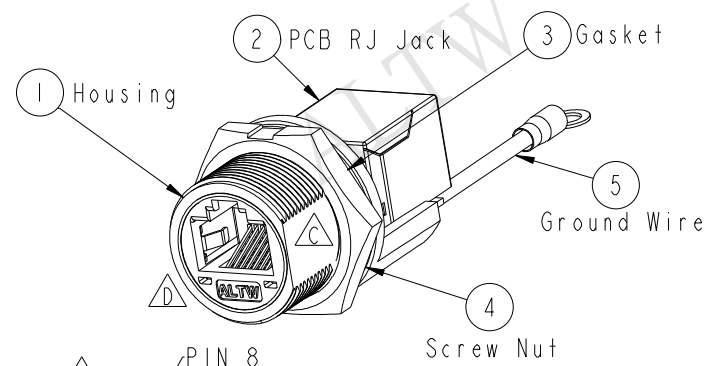
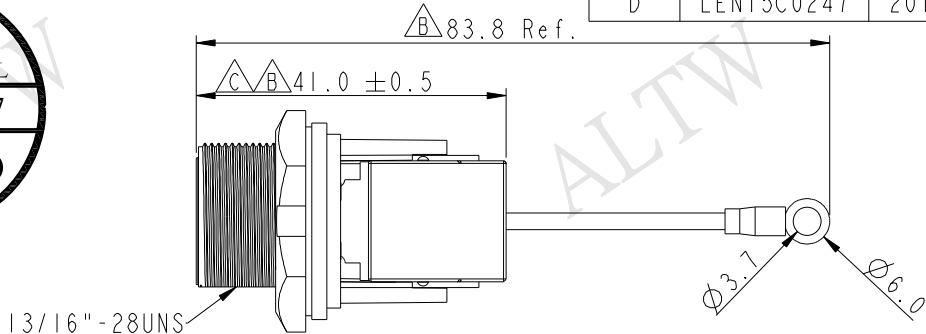
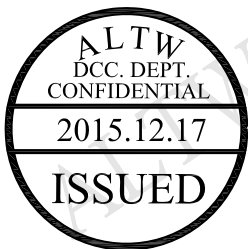
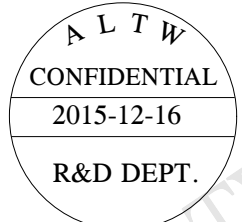
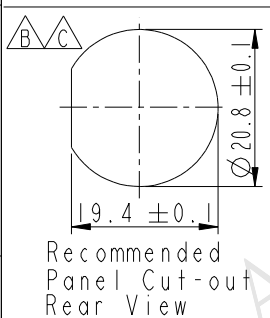


THIS DOCUMENT IS SUBJECT TO CHANGE WITHOUT NOTICE. IT IS CONFIDENTIAL AND A PROPERTY OF Amphenol LTW. DISCLOSURE TO THIRD PARTY HAS TO BE AUTHORIZED BY Amphenol LTW.

REV.	ECN NO.	DATE	SIGN	DESCRIPTION
B	LE313A0306	2013-09-07	Raison	Modify Jack, Note. Change H Cut
C	LEN1440093	2014-04-04	Tom_gu	Change H Cut To D Cut
D	LEN15C0247	2015-12-16	Jinhai	凸字底部修平



- Note:
- \*  $\varnothing$  Important Dimension
  - \* Waterproof Rate : IP67 Mating
  - \* Housing : Nylon+GF, UL 94V-0, BLACK
  - \* Screw Nut : Nylon+GF, BLACK
  - \* Gasket : Silicone, UL 94V-0, Gray.
  - \* PCB: FR-4
  - \* Jack : PBT Polyester UL 94V-0
  - \* Ground Terminal: Brass, Tin Plated, Thickness: 0.4mm
  - \* Use without Waterproof cap or Dust cap  
For Panel Thickness Max: 4.2mm
  - \* Use with Waterproof cap or Dust cap  
For Panel Thickness Max: 3.0mm
  - \* Screw torsion value range: 8~12kgf-cm



UNIT: mm			TITLE RJ45, C SIZE, MATED WATERPROOF ADD GROUND WIRE		
TOLERANCE	.X ±0.25	.XX ±0.1	SCALE 1:1	SIZE A4	SHEET 1 OF 1
ANGLES	.XXX ±0.05	±1°	REV. D	WC-REV. B.4	$\varnothing$ : Inspection item

**Amphenol LTW**  
安費諾亮泰企業股份有限公司

ITEM NO RCP-5SPFFH-SCM7002	DRAWN BY Jinhai	DATE 2015-12-16
DWG NO RCP-5SPFFH-SCM7002	CHECKED BY Tom	DATE 2015-12-16
CUSTOMER ALTW	APPROVED BY Jerry	DATE 2015-12-16