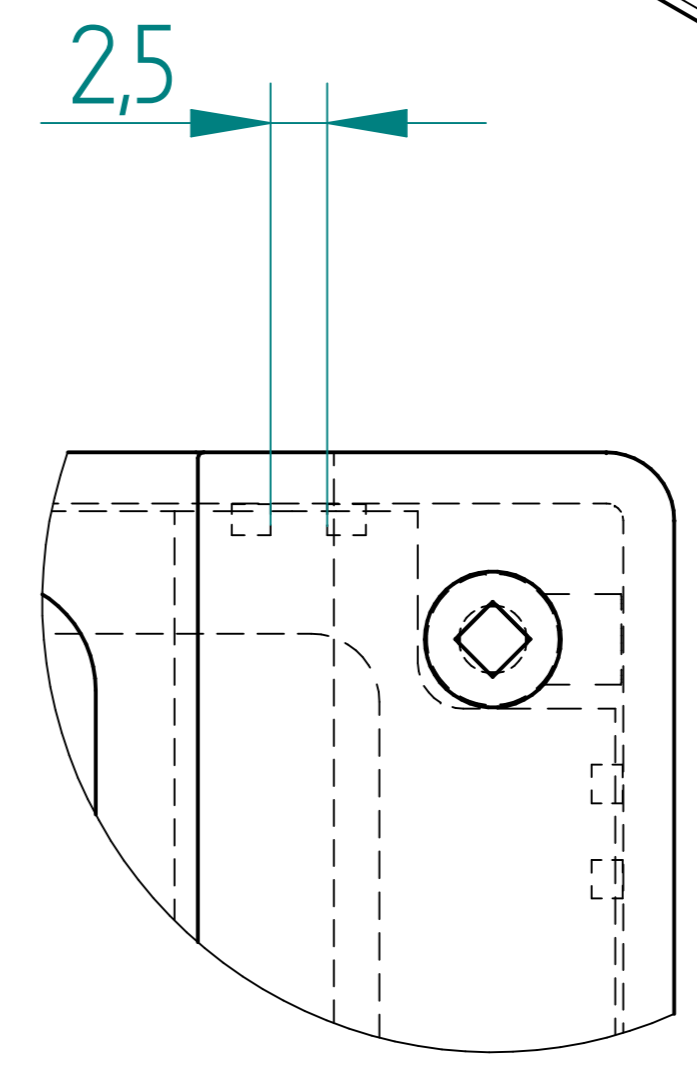
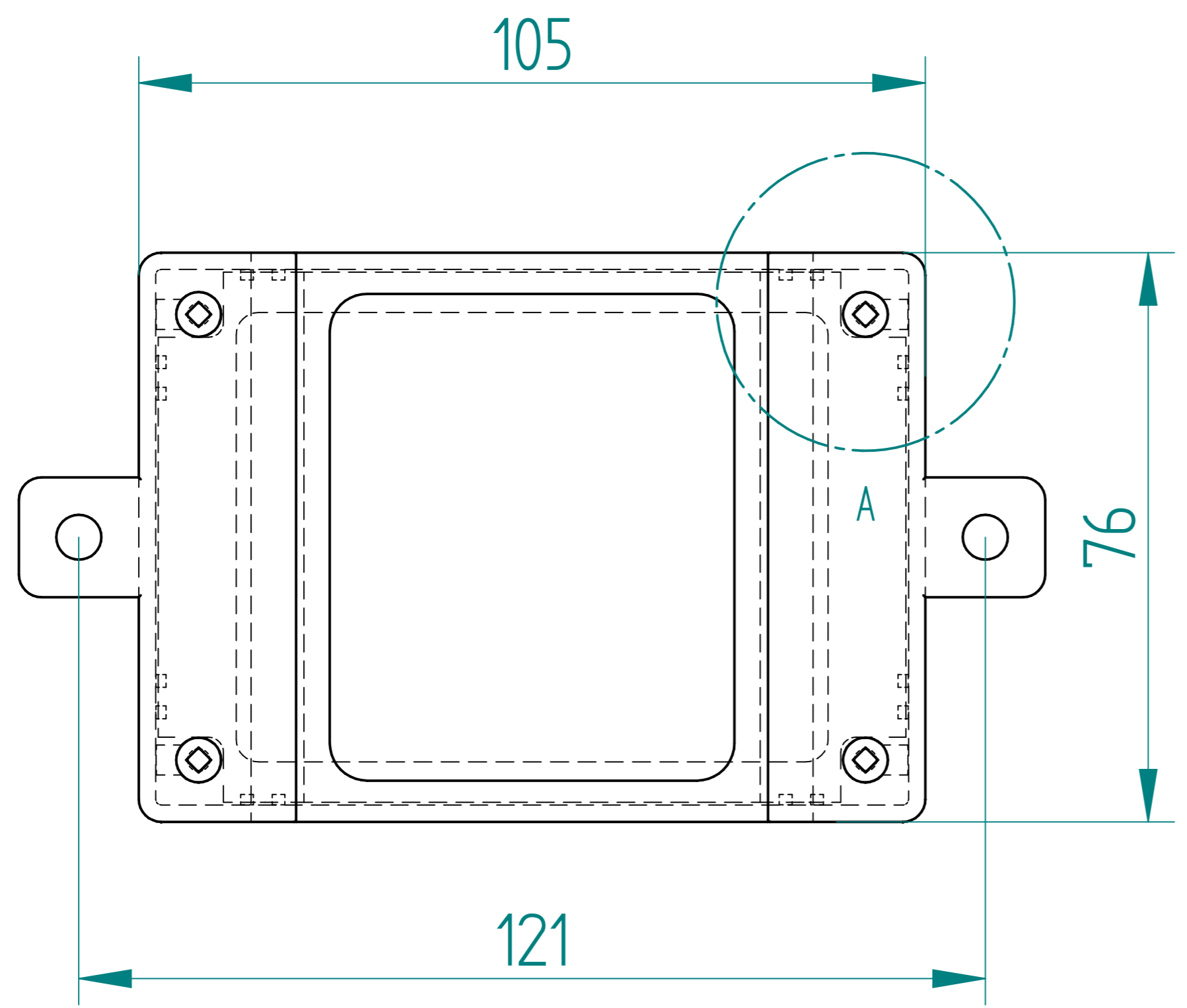
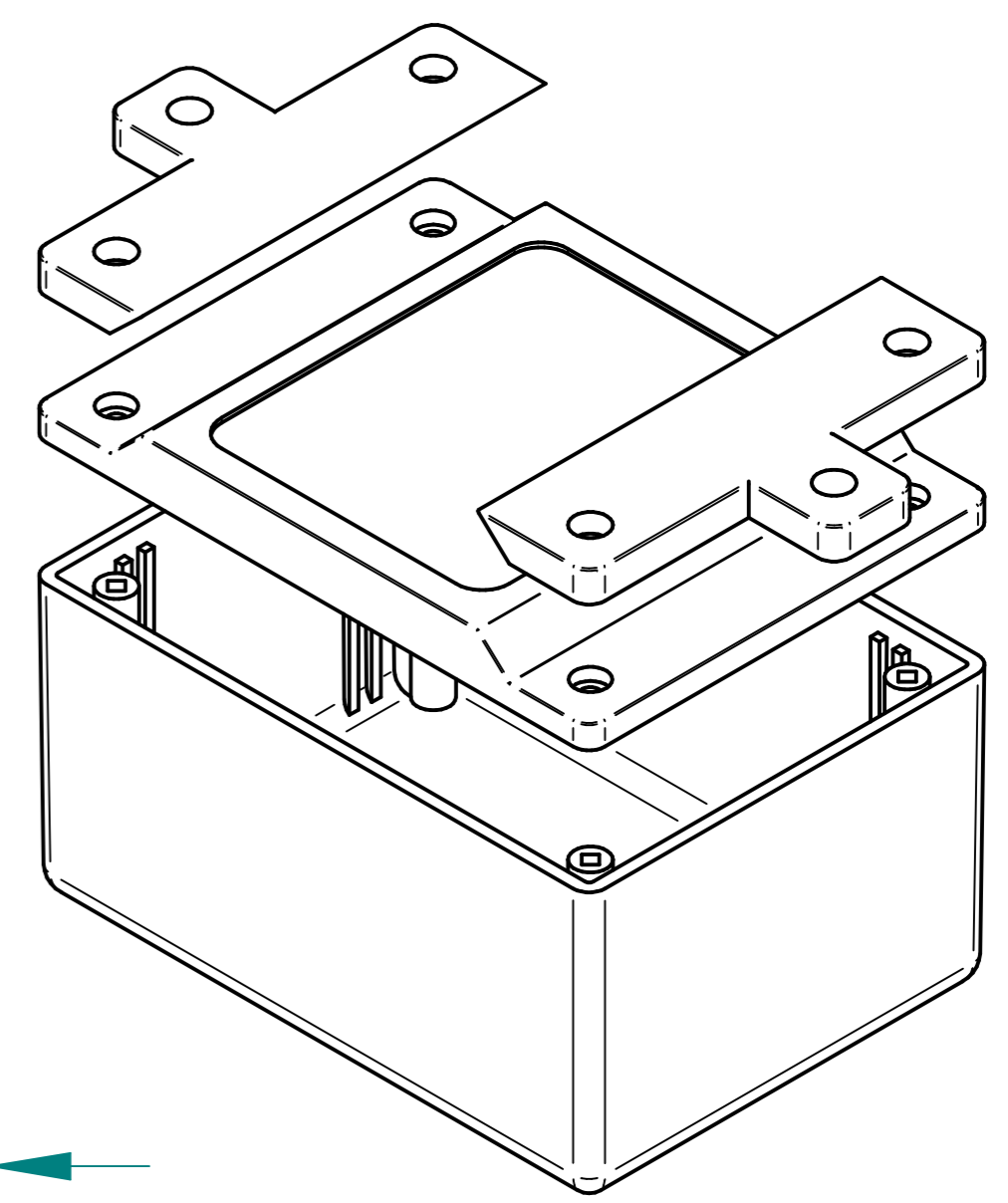
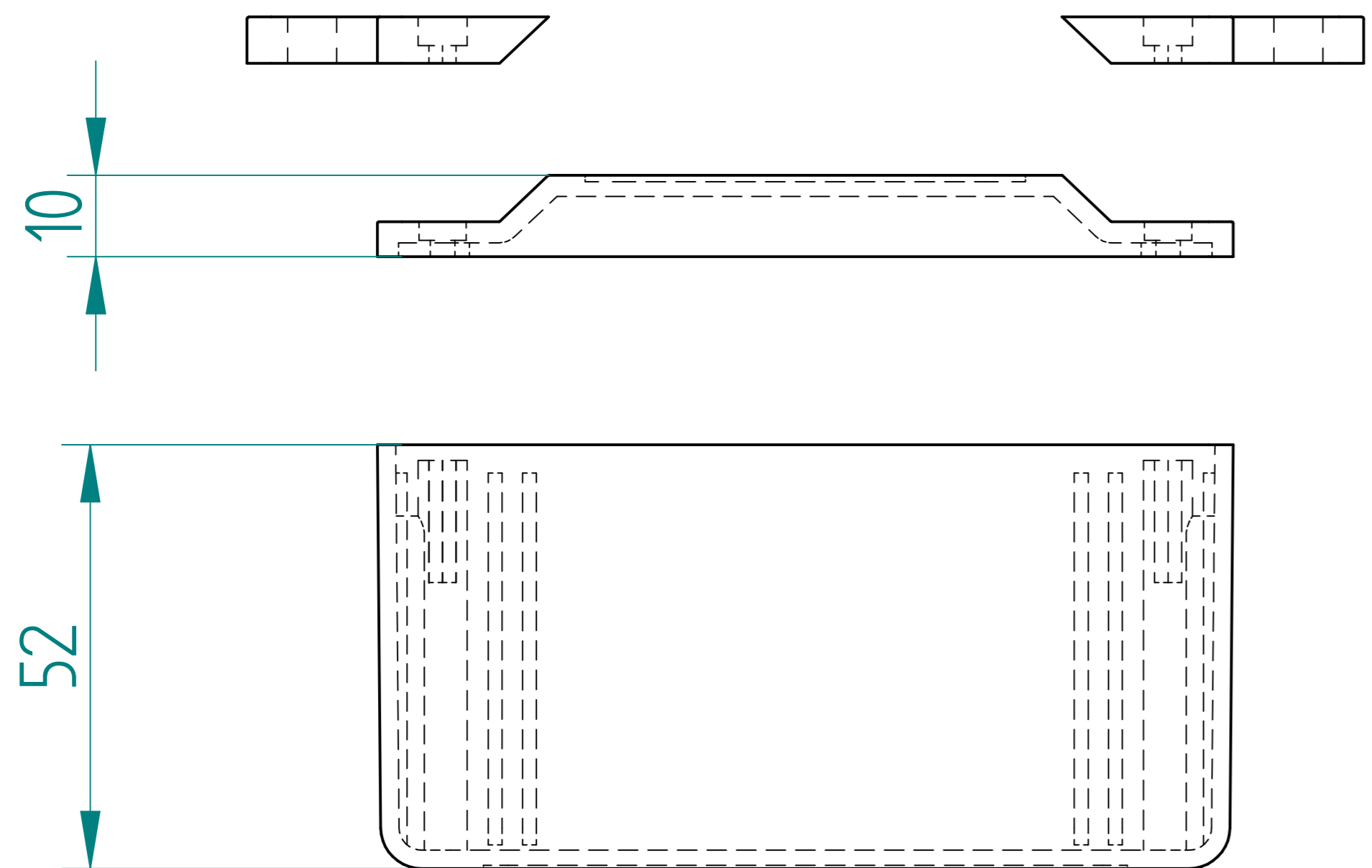


REVISION HISTORY			
REV	DESCRIPTION	DATE	APPROVED



DETAIL A

	NAME	DATE	Solid Edge	
DRAWN	Jeremy	06/23/15	TITLE	
CHECKED			SIZE	DWG NO
ENG APPR			A2	
MGR APPR			FILE NAME:	REV
UNLESS OTHERWISE SPECIFIED DIMENSIONS ARE IN MILLIMETERS ANGLES ±X.X° 2 PL ±X.XX 3 PL ±X.XXX			a5 box, lid and wings.dft	
			SCALE:	WEIGHT:
			SHEET 1 OF 1	