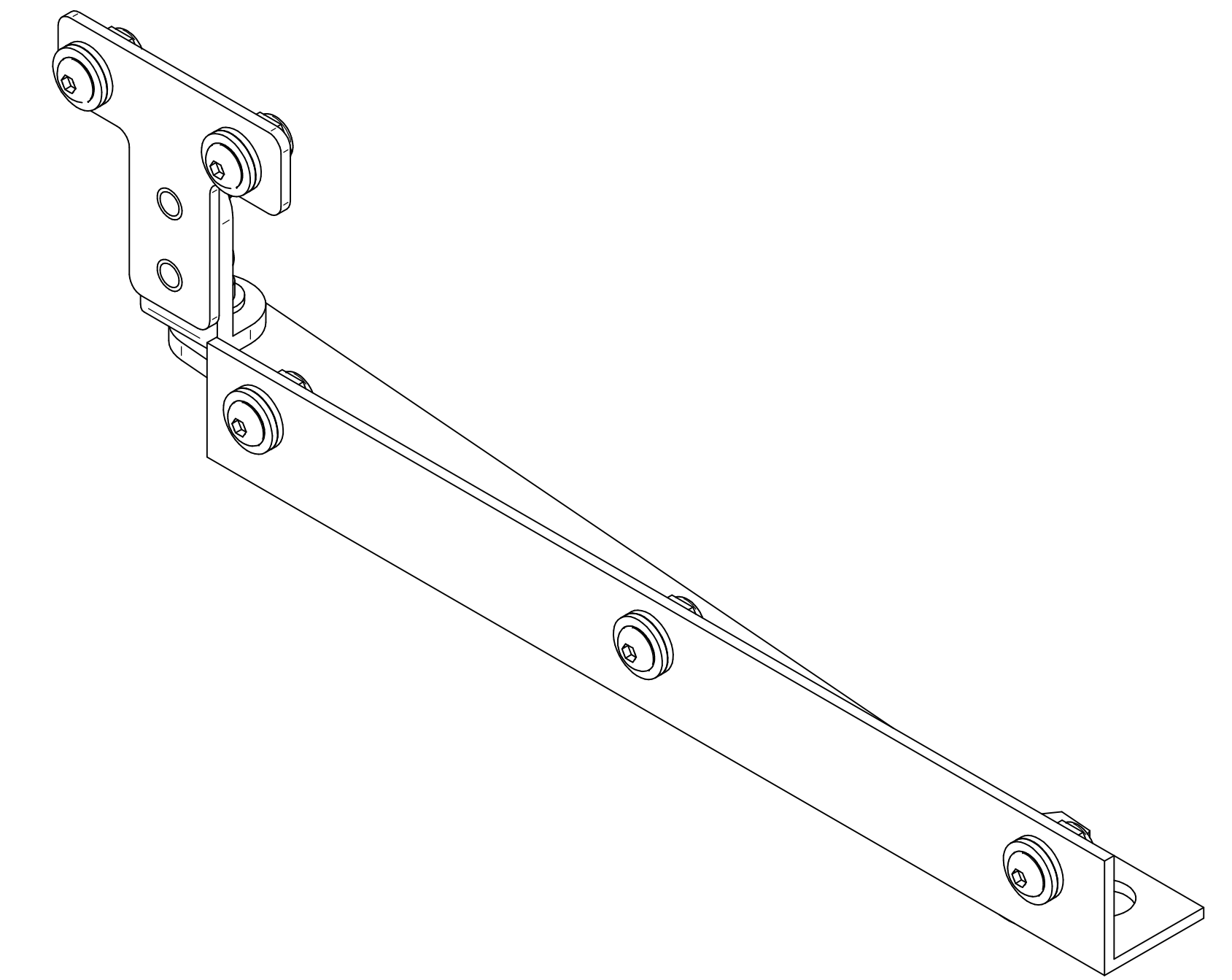


PART No. DSTOPK

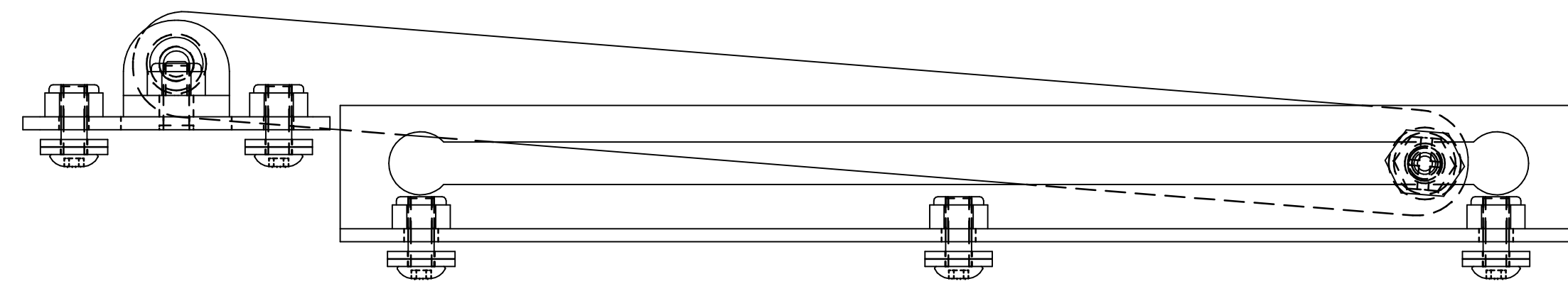
for more information visit
www.hammondmfg.com

Data subject to change without notice

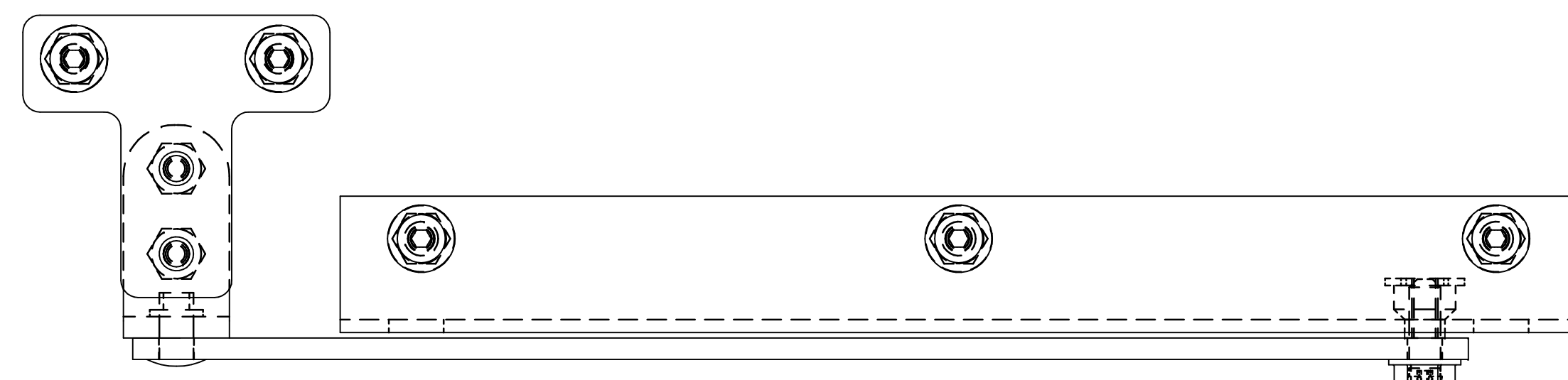
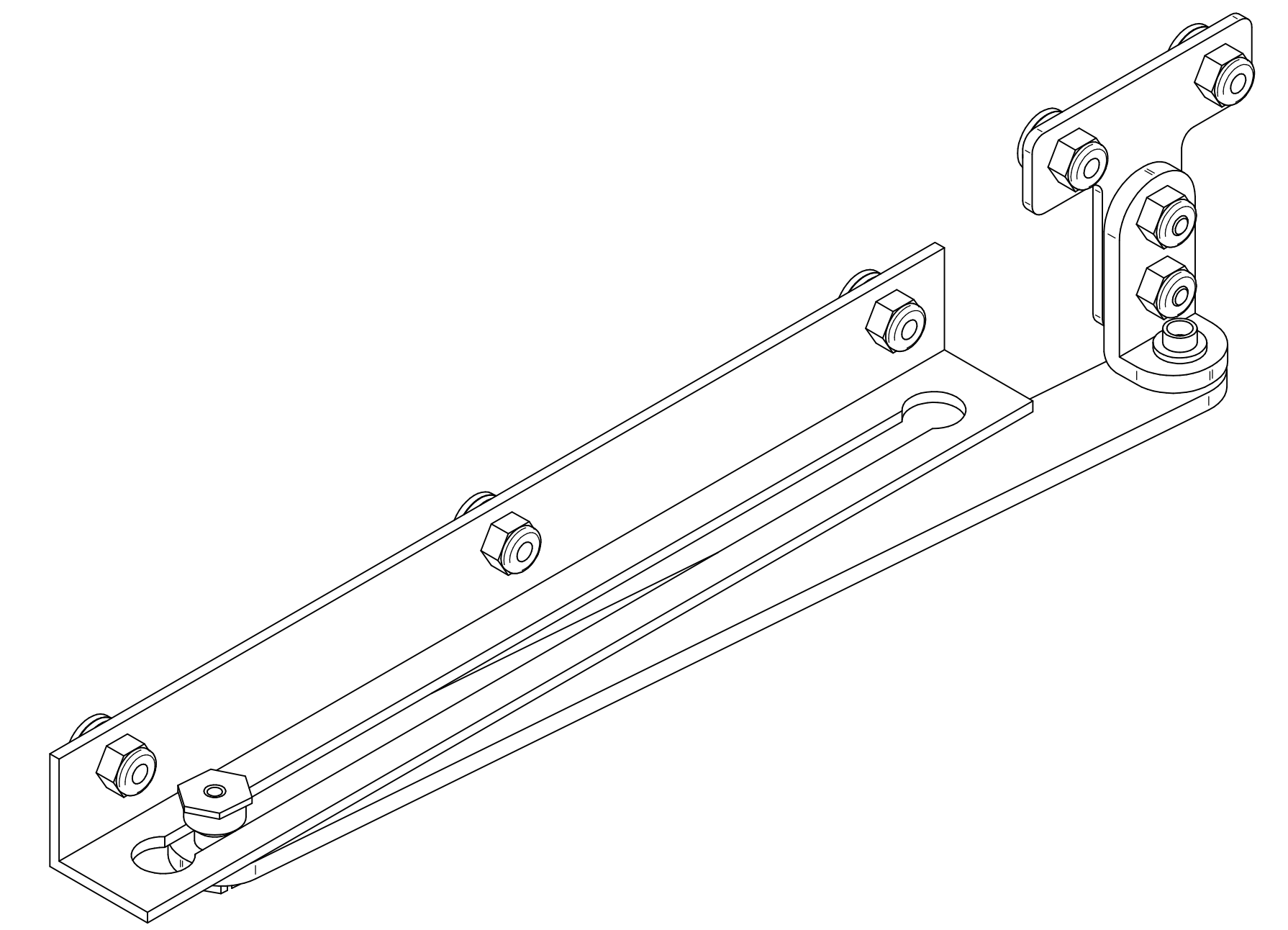
Isometric drawing Not to Scale



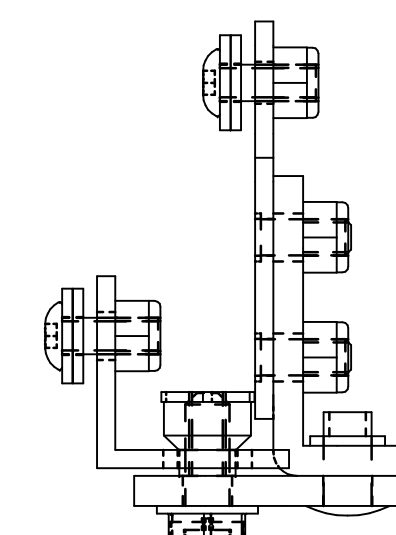
ISOMETRIC VIEWS



TOP VIEW



FRONT VIEW



SIDE VIEW