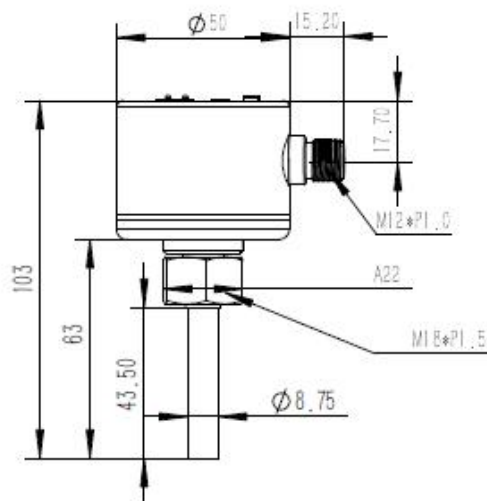
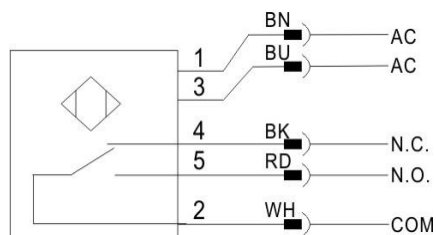
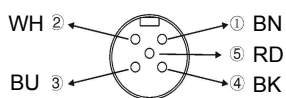


<p>FE6004 Ex-Proof Smart Flow Sensor Stainless Steel Housing Seal Plus structure Connection: Internal thread M18 x 1.5 Programmable M12 socket</p>	
Ex marking	Ex nA IIC T4 Gc / Ex tD A21 IP67 T100°C
Applications	Liquid and Air
Electric design	AC Relay
Supply voltage[V]	85...265 AC
Output	NO  NC 
Reverse polarity protection	Yes
Max. overload current[mA]	<80
Max. temperature drift[K/min]	300
Pressure resistance[bar]	300
Liquid setting range[cm/S]	3...300
Max sensitivity of range for liquid[cm/S]	3...100
Gas setting range[cm/S]	200...3000
Max sensitivity of range for gas[cm/S]	200...800
Startup time[s]	< 8
Output response time[s]	< 2
Ambient temperature[°C/°F]	-25...80/-13...176
Environment temperature[°C/°F]	-25...80/-13...176
Storage temperature[°C/°F]	-25...100/-13...212
Protection/Enclosure Rating	IP67
ESD EN61000-4-2	6kV-CD / 8kV-AD
EFT EN61000-4-4	2kV
Shock resistance[g]	50
Vibration resistance[g]	20
Upper cover material	Stainless steel 316L
Lower cover material	Stainless steel 304
Probe material/Wetted Parts	Stainless steel 316L
Connection	M12 socket

Dimensions[mm]



Wiring
Core color



ema electronics

website: www.ema-electronic.com

e-mail: sales@ema-electronic.com