

# D3/D5 Theft Resistant Cage V3

## Parts Identification

### INTRODUCTION

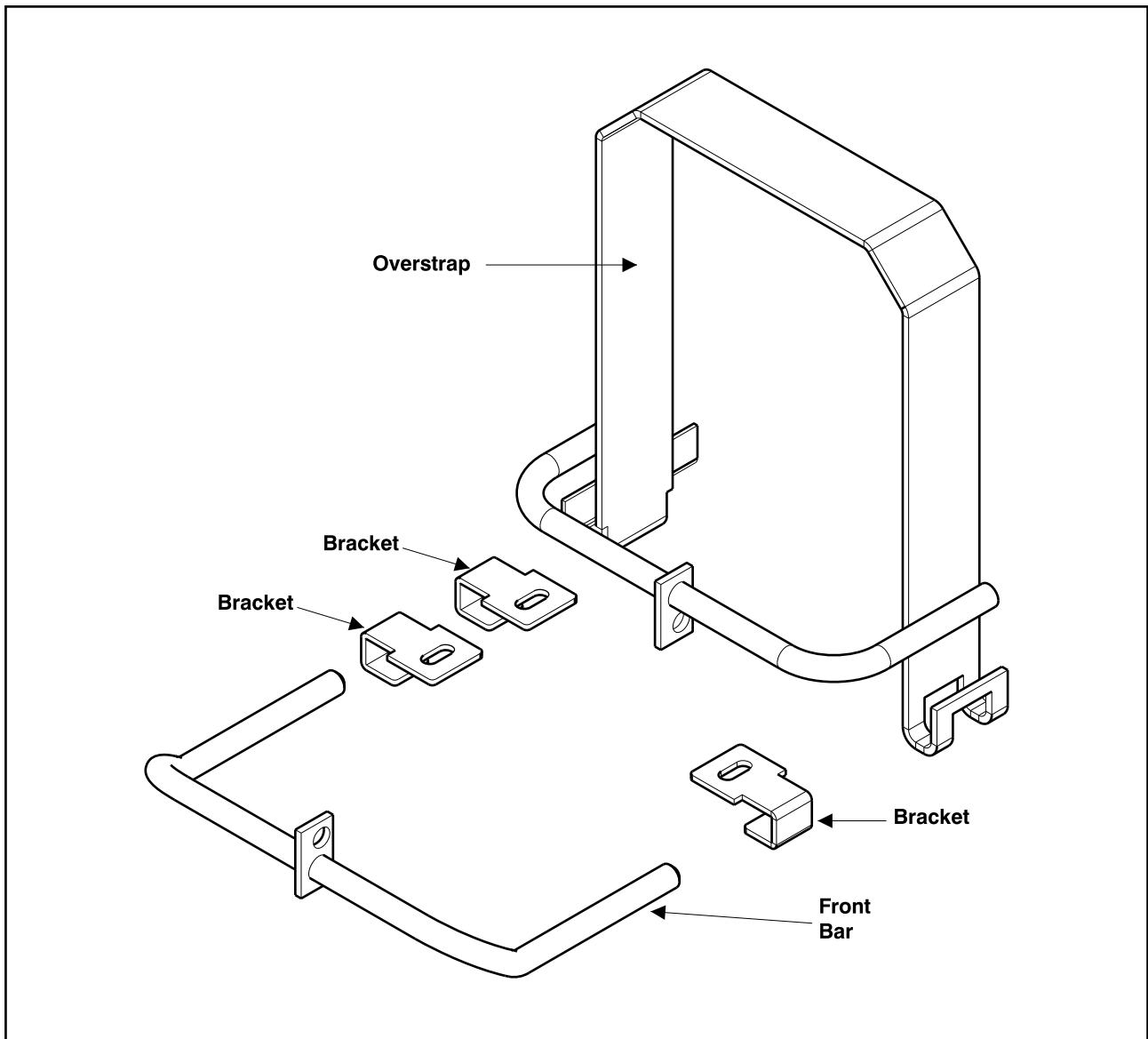
The CENTURION theft resistant cage is designed to significantly reduce the risk of an intruder gaining access to the operator and increases the resistance of the unit against theft.

It is important that the bracket is properly fitted as per the instructions given and that a suitable lock\* is fitted.

#### DISCLAIMER

CENTURION SYSTEMS cannot be held liable under any circumstances for any damage, loss or action that results from the cage being forced open or tampered with.

\*Not supplied in this kit.



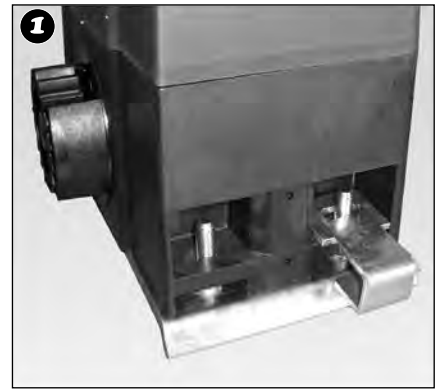
Ref. 1130.D.01.00002\_1



E&OE Centurion Systems (Pty) Ltd reserves the right to change products or specifications without prior notice.

CENTURION SYSTEMS (Pty) Ltd  
148 Epsom Avenue, North Riding, Randburg, South Africa  
Tel: +27 (0)11 699-2400 Fax: +27(0)11 704-3412 or +27(0)11 462-6669 (Sales)  
www.centsys.co.za

# D3/D5 Theft Resistant Cage V3 Installation Instructions



**1** Remove side vents, retaining nuts & washers. Fit a bracket to each of the LHS retaining studs.



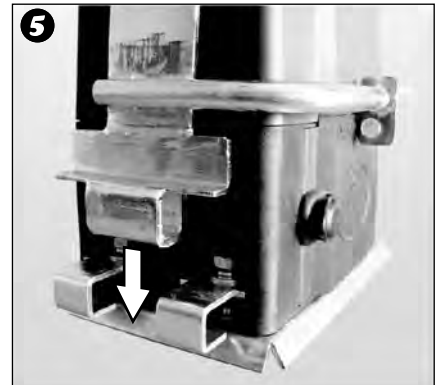
**2** Re-fasten the washers and nuts to the retaining studs to secure the brackets.



**3** Fit bracket on to the RHS retaining stud.



**4** Re-fasten the washer and nut to the retaining stud to secure the bracket.



**5** Slide overstrap over motor cover, making sure it engages correctly with the brackets on both sides of the operator.



**6** Fit the front bar to the assembly by feeding both legs of the bar through the bracket and overstrap.



**7** With the front bar fully engaged with the overstrap, secure the assembly by locking a good quality padlock through the aligned barrel holes on the overstrap and front bar.