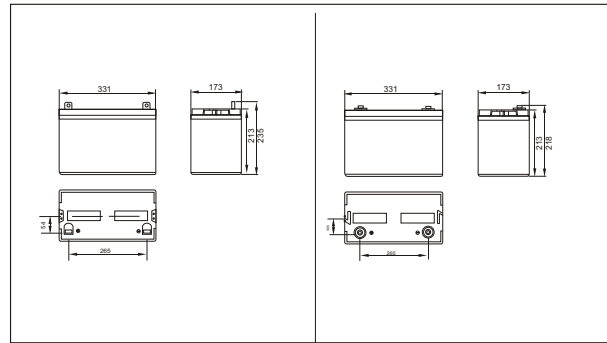


## BA-19(Gel 12V100AH)



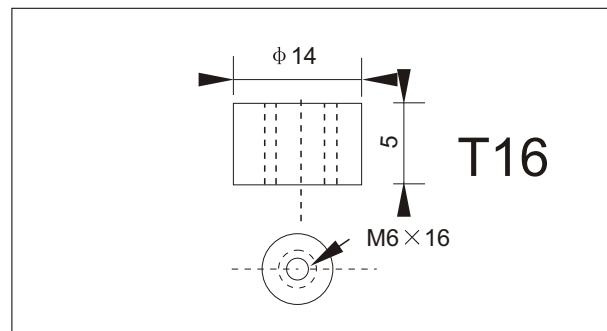
### Outer dimensions (mm)



### Specifications

Nominal Voltage		12 V	
Rated capacity (10 hour rate)		100 Ah	
Dimensions	Total Height	T16	218mm (8.58 inches)
	Height		213 mm (8.39 inches)
	Length		331 mm (13.0 inches)
	Width		173 mm (6.81 inches)
Weight Approx		31.5 Kg ( 69.62 lbs)	

### Terminal Type (mm)



### Characteristics

Capacity 25°C(77°F)	10 hour rate(10.0 A) 5 hour rate(16.0 A) 1 hour rate(60.0 A)	100 AH 80 AH 60 AH
Internal Resistance	Full charged Battery at 25°C(77°F)	4.2 mΩ
Capacity affected by Temperature (10hour rate)	40°C(104°F)	102%
	25°C(77°F)	100%
	0°C(32°F)	85%
	-15°C(5°F)	65%
Self-Discharge at 25°C(77°F)	Capacity after 3 month storage	91%
	Capacity after 6 month storage	82%
	Capacity after 12 month storage	64%
Terminal		T10、T16
Charge (constant Voltage)	Cycle	Initial Charging Current less than 25 A Voltage 14.10-14.40V
	Float	Voltage 13.50-13.80V
Design Life		12 Years(float charging)

### Construction

High Sn positive plate, SiO<sub>2</sub> Gel electrolyte.

Component	Positive plate	Negative plate	Container	cover
Raw material	Lead dioxide	Lead	ABS (V0/HB)	ABS (V0/HB)
Component	Separator	Electrolyte	Safety valve	Terminal
Raw material	AGM	SiO <sub>2</sub> Gel	Rubber	Cu coated by Ag

### Standards

GB/ T 19639 -2014 ;JIS C8704 -1:2006 ; EUROBA T ; IEC 60896 -21/22:2004 ;

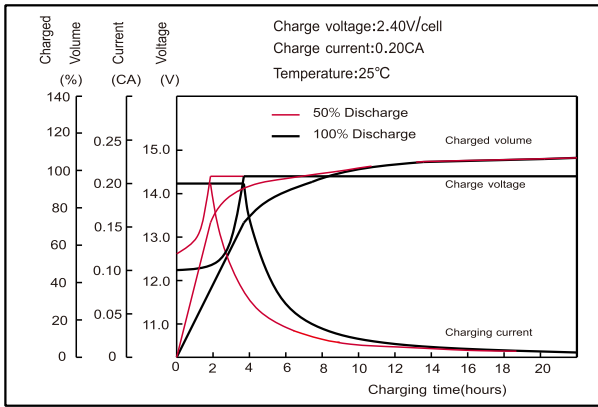
### Certificates

UL: Mh26669; ISO 9001:25001; ISO14001:2015; OHSAS 18001:2017; CE, IEC.

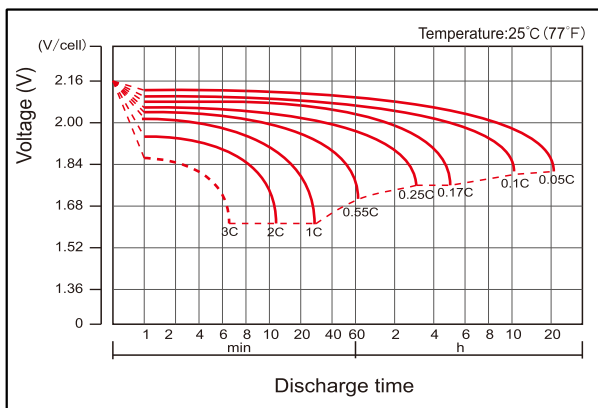
**Constant Current(Amp) and Constant Power(Watt) Discharge Table at 25 °C(72°F)**

Time		10min	30min	1h	2h	3h	4h	5h	8h	10h	20h
9.60V	A	200.0	110.0	60.0	35.0	26.0	21.0	17.8	11.6	11.0	5.7
	W	2120	1172	642	378	283	231	195.8	128.6	122.1	63.8
10.20V	A	190.0	111.0	56.4	33.4	25.5	20.5	17.4	11.4	10.4	5.6
	W	2090	1227	626	374	288	233	197	129	117	64
10.50V	A	180.0	102.0	55.0	32.6	25.0	20.0	17.0	11.3	10.2	5.5
	W	2016	1148	622	372	286	230	196	129	117	64
10.80V	A	170.0	94.0	53.0	31.8	24.5	19.5	15.2	11.0	10.0	5.5
	W	1930	1072	607	367	284	227	177	128	117	64
11.10V	A	160.0	84.0	50.0	31.0	23.5	19.0	14.5	10.7	9.8	5.4
	W	1840	970	580	363	276	224	171	126	115	64

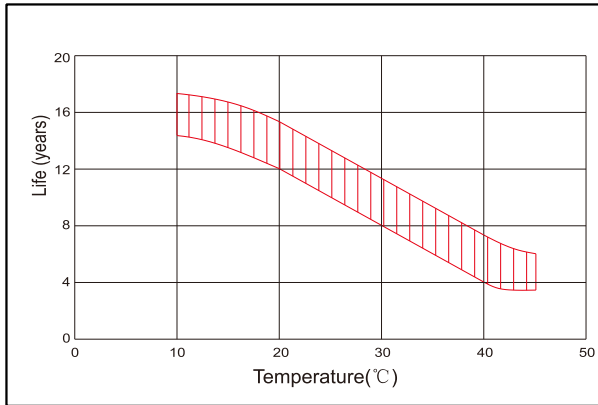
● Charge characteristics(25°C)



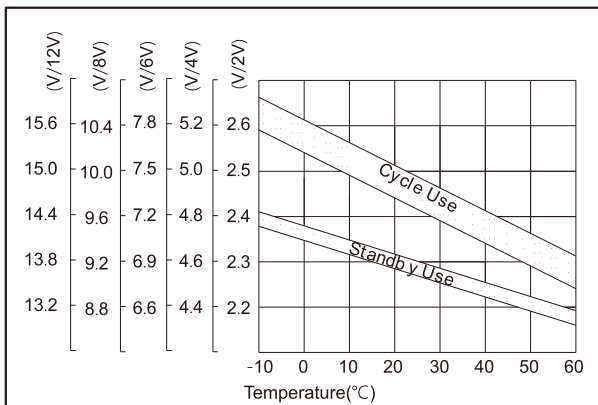
● Discharge characteristics(25°C)



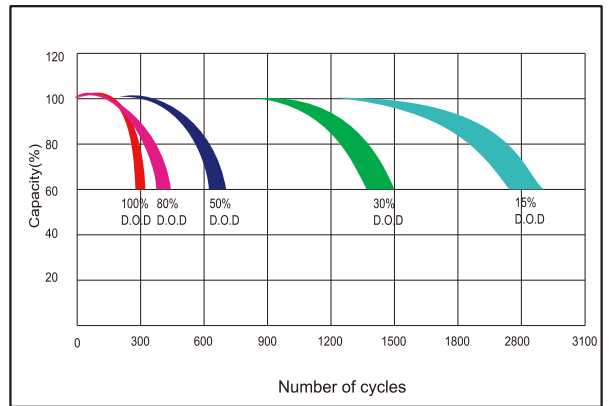
● Float life on temperature



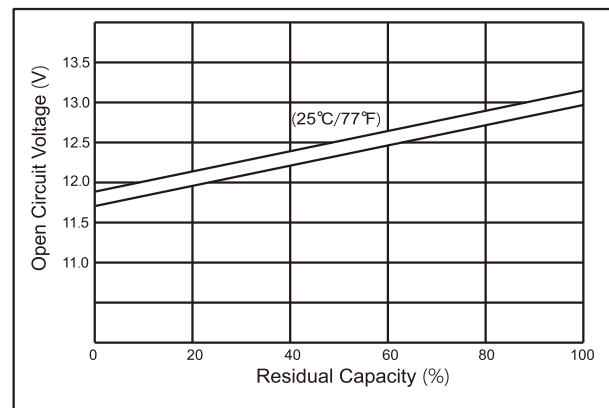
● Relationship between charge voltage and temperature



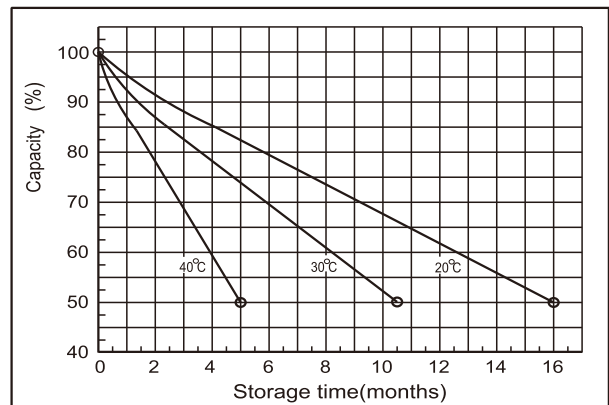
● Cycle life characteristics (25°C)



● The relationship of OCV and capacity (25°C)



● Self-discharge characteristics



● Effect of temperature on capacity

