



Day / Night Sensor

DNS6

Instruction

General:

These products can turn on or turn off a light according to the ambient light. Ambient temperature and humidity cannot affect it. This makes the DNS6 practical and convenient as it can control the lights only at night if required. Example, street lights, garden lights, office or park lights, etc.

Technical Conditions:

Power Source: 220-240V/ AC

Power Frequency: 50Hz

Power Current: 6A

Ambient Light: <5-15LUX

Notice:

1. Avoid any obstructions in front of the sensor hampering the ambient light as this will cause the DNS6 not to operate as per the manufactures specifications.
2. Please ensure the light sensor is not near swaying trees or branches as this can also effect the operational functions.

Test:

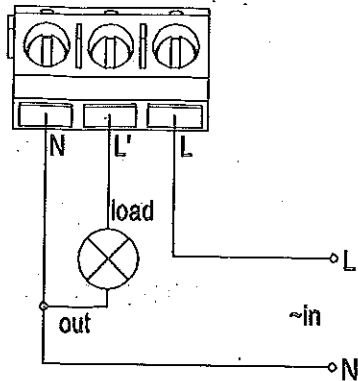
- Please use the black plastic packet in the packaging for testing the functionality during the daytime
- With the power switched on the black plastic packet over the sensor, the lights will

switch on. When removed, the lights will turn off.

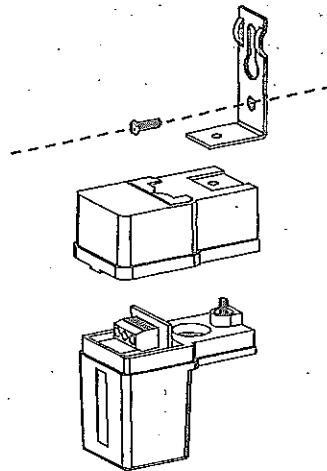
Connection Line:

Connect L and N with power

Connect N and L' with load



Installation:



MAJOR TECH (PTY) LTD

Head Office:

Cnr Rover & Jaguar Roads, Rustivia Ext 3,
Elandsfontein.

P O Box 888 Isando, 1600 South Africa

Tel: +27 11 822 1551

Fax: +27 11 822 1411

E-mail: sales@major-tech.com

Website: www.major-tech.com

