



iRock.2

Portable Mini Hi-Fi Speakers with 3.5 Audio Input and Expandable Magnetic Base



User Guide

Introduction

The iRock.2 is compact collapsible speakers with magnetic bases, perfect for your smartphone, Tablet or Notebook, Laptop for music and audio streaming.

Features

- Compatible with all smartphones, tablets, netbooks, laptops, iPod / iPhone models, MP3/MP4 players and other audio devices with 3.5 mm audio jack.
- Perfect for movie sound enhancement and music experience on portable devices.
- Custom-tuned vacuum bass design for low frequency response
- Enhanced built-in amplifier and rechargeable battery
- Two collapsible speakers attach with built-in magnetic
- Lock for ultimate portability
- Stand option for optimum desktop display
- Long lasting built-in lithium-ion USB rechargeable batteries
- Volume Control button

Packaging Contents

- iRock.2
- Mini-USB and Audio Cable
- User Guide
- Warranty Card

Product Overview

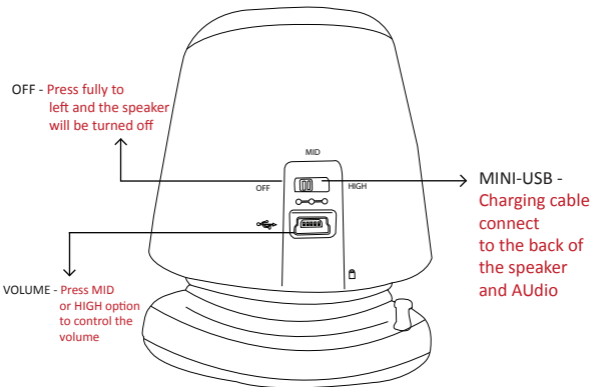
The iRock.2 are compact collapsible speakers with magnetic bases, perfect for your smartphone, Tablet or Notebook, Laptop for music and audio streaming. Ideal for watching movies or listening to music, simply connect to your device, untwist the base and enjoy the sound. The additional volume button on the back side of speaker allows you to control the sound level, or even turn it off, if not needed. iRock.2 portable speakers come with durable lithium-ion battery and long-lasting music play, which can be easily recharged with provided Mini-USB charging cable. iRock.2 is the simplest solution to enhance all your music needs on the go.

Precautions

Please read this User Guide carefully before using the product. The contents herein may be changed to deliver the better services to the end-user. To keep the perfect performances of the product, never use it in cold, hot, dusty or moistened areas or places, especially in the following conditions:

- Moist or underwater conditions.
- Conditions near the heater or high-temperature service.
- Conditions with direct sunshine.
- Conditions with apt falling.
- Never dismantle the charge and sync cable without due permission, otherwise it may nullify the warranty clauses.

Appearance and Interface Description



Interface Description

- Connect a 3.5mm audio cable to the 3.5mm Audio input side on an external audio output such as MP3 players and the Mini-USB side to the speaker Mini-USB port.
- Speaker will switch to Line-in mode automatically.
- Press the Vol-/+ button or native controls on the connected MP3 player to control volume.
- Power off. When not in use, please turn off the switch to red status to prevent the waste of power.

Charging the iRock.2

- Connect the Mini USB charging port on the back of the iRock.2
- Connect the standard USB plug end of the cable to a power USB port on a computer or other USB charging device.
- A red light comes on while the unit is charging. It will turn Off when fully charged.
- Power off. When not in use, please turn off the switch to red status to prevent the waste of power.

Operating Mode

- Connect the Mini-USB plug to the Mini-USB charging port on the back of iRock.2 and the 3.5 mm Audio jack to the 3.5mm Audio input side on an external audio output
- Power on the audio device and place in play mode.



www.promate.net