

# OPERATING MANUAL

## NOTE

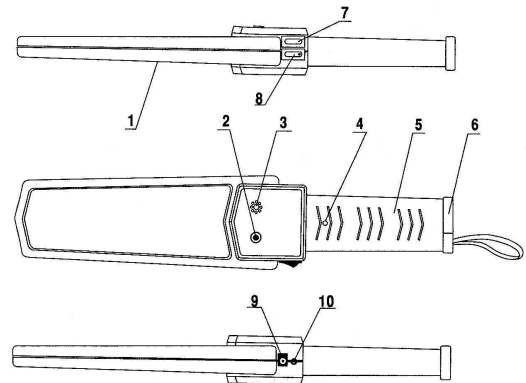
- If the green light goes out completely or fails to come on or if the unit is making unfamiliar audio tones, the unit is unstable and should not be used until the battery is recharged or replaced.
- If the unit is not to be used for a certain length of time it is advisable to remove the battery to avoid battery leakage which could cause serious damage to the detector.
- When not in use, the detector should be stored in a dry warm environment.

## SPECIFICATION

Power Voltage	9V Standard or Rechargeable Battery
Power	270mW
Operating Frequency	22KHz
Operating Current	<50mA
Operating Voltage	7V-9V
Operating Temperature	-5C° to +55C°
Net Weight	409G
Dimensions	41(L) X 8.5(W) X 4.5(H)cm

## METAL DETECTOR HH-SUPER SCANNER

### High Performance Hand Held Scanner



### DETAILS:

- |                                |  |
|--------------------------------|--|
| 1. Detection Face              | 2. LED (Green /Red Color)              |
| 3. Audio Alert                 | 4. Sensitivity Adjuster                |
| 5. Handle                      | 6. Battery Lid                         |
| 7. Low Sensitivity Switch      | 8. On/Off Switch                       |
| 9. Rechargeable Battery Socket | 10. Earphone Socket<br>Vibrator Button |