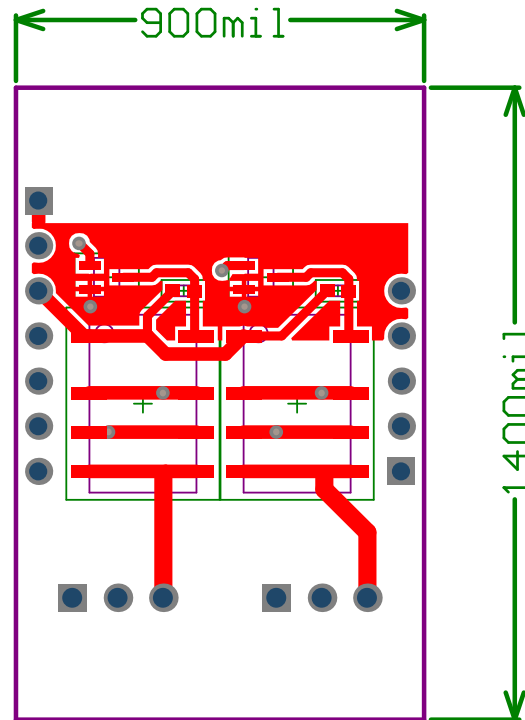


NO VENDOR MARKINGS, VENDOR IS NOT TO ADD OR REMOVE ANYTHING
R410 Copyright www.RFduino.com 12/12/2013

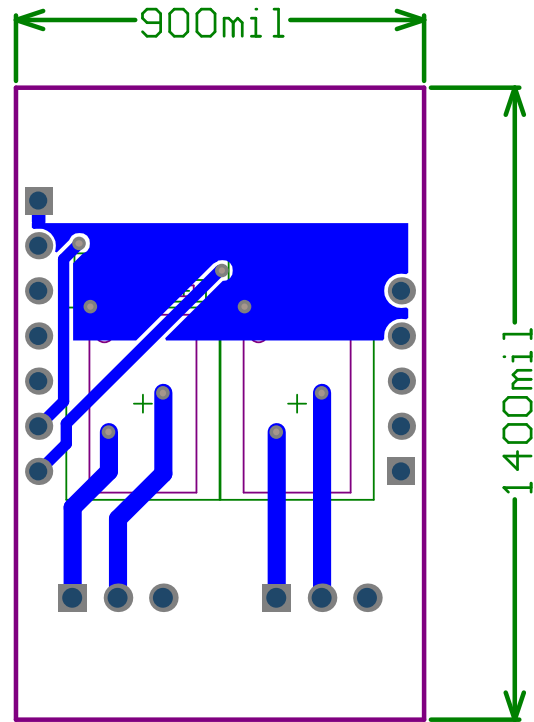


LAYERS



NO VENDOR MARKINGS, VENDOR IS NOT TO ADD OR REMOVE ANYTHING
R410 Copyright www.RFduino.com 12/12/2013

NO VENDOR MARKINGS, VENDOR IS NOT TO ADD OR REMOVE ANYTHING
R410 Copyright www.RFduino.com 12/12/2013



LAYERS

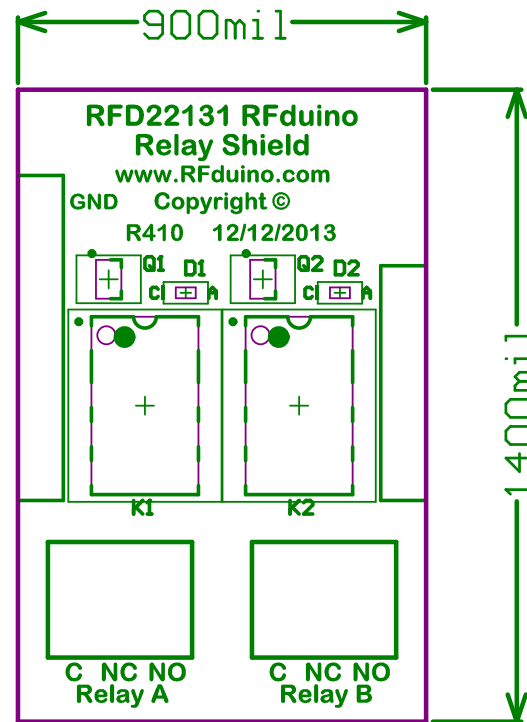
 BOTTOM COPPER

 DIMENSIONS

 ROUTING KEEPOUT LAYER

NO VENDOR MARKINGS, VENDOR IS NOT TO ADD OR REMOVE ANYTHING
R410 Copyright www.RFduino.com 12/12/2013

NO VENDOR MARKINGS, VENDOR IS NOT TO ADD OR REMOVE ANYTHING
R410 Copyright www.RFduino.com 12/12/2013



LAYERS

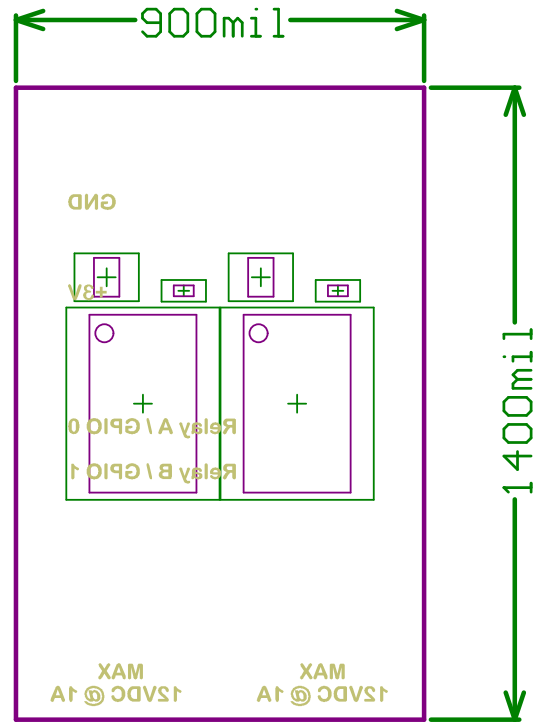
TOP OVERLAY

DIMENSIONS

ROUTING KEEPOUT LAYER

NO VENDOR MARKINGS, VENDOR IS NOT TO ADD OR REMOVE ANYTHING
R410 Copyright www.RFduino.com 12/12/2013

NO VENDOR MARKINGS, VENDOR IS NOT TO ADD OR REMOVE ANYTHING
R410 Copyright www.RFduino.com 12/12/2013



LAYERS

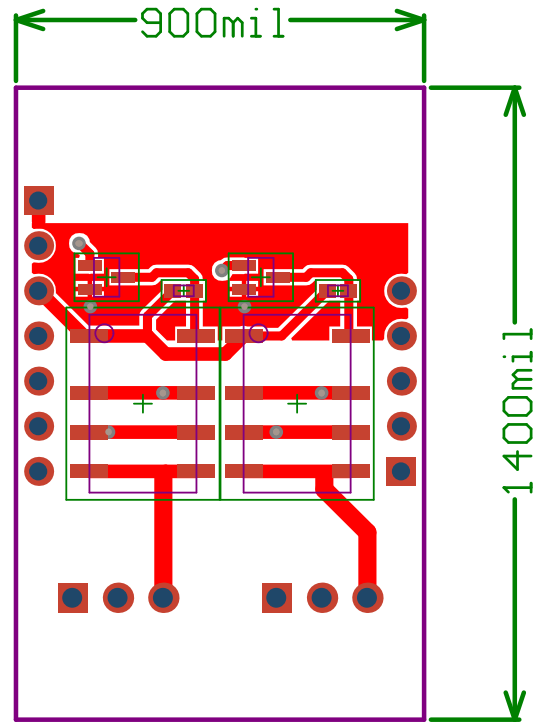
BOTTOM OVERLAY

DIMENSIONS

ROUTING KEEPOUT LAYER

NO VENDOR MARKINGS, VENDOR IS NOT TO ADD OR REMOVE ANYTHING
R410 Copyright www.RFduino.com 12/12/2013

NO VENDOR MARKINGS, VENDOR IS NOT TO ADD OR REMOVE ANYTHING
R410 Copyright www.RFduino.com 12/12/2013

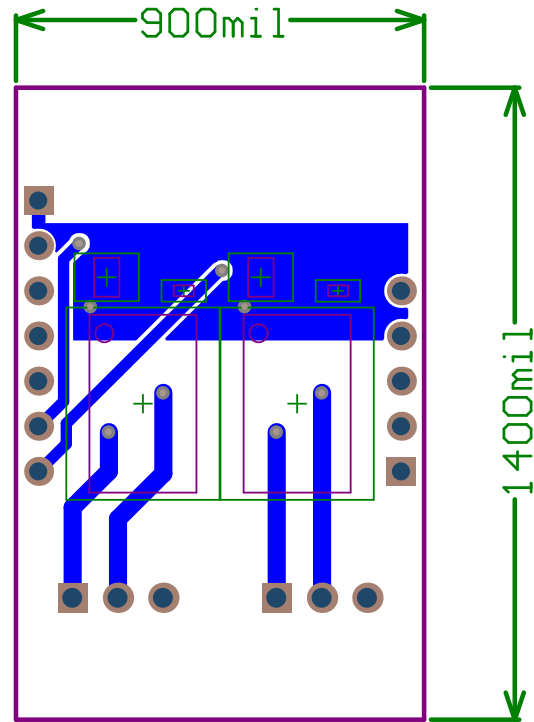


LAYERS



NO VENDOR MARKINGS, VENDOR IS NOT TO ADD OR REMOVE ANYTHING
R410 Copyright www.RFduino.com 12/12/2013

NO VENDOR MARKINGS, VENDOR IS NOT TO ADD OR REMOVE ANYTHING
R410 Copyright www.RFduino.com 12/12/2013

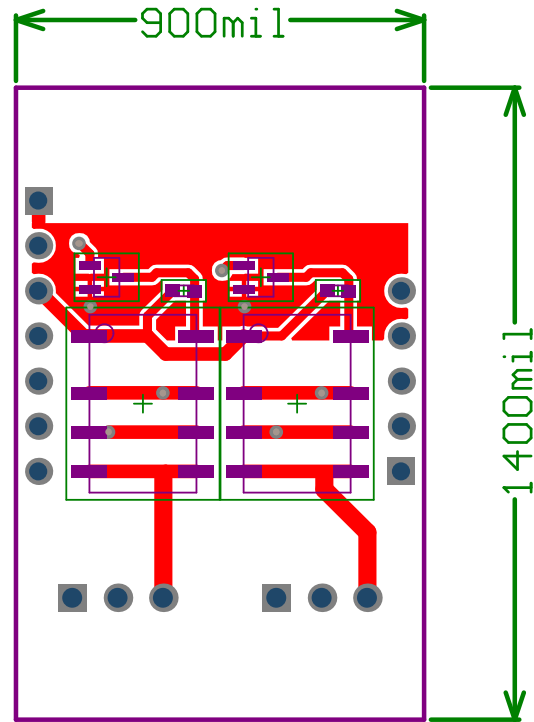


LAYERS



NO VENDOR MARKINGS, VENDOR IS NOT TO ADD OR REMOVE ANYTHING
R410 Copyright www.RFduino.com 12/12/2013

NO VENDOR MARKINGS, VENDOR IS NOT TO ADD OR REMOVE ANYTHING
R410 Copyright www.RFduino.com 12/12/2013



LAYERS

TOP PASTE

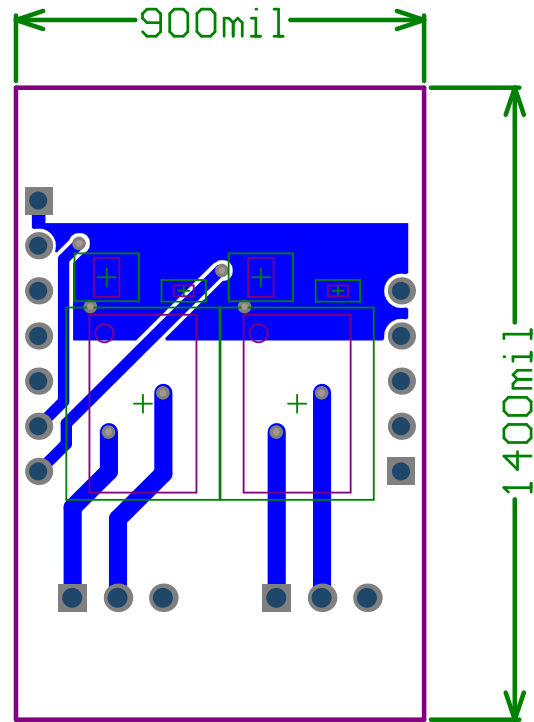
TOP COPPER

DIMENSIONS

ROUTING KEEPOUT LAYER

NO VENDOR MARKINGS, VENDOR IS NOT TO ADD OR REMOVE ANYTHING
R410 Copyright www.RFduino.com 12/12/2013

NO VENDOR MARKINGS, VENDOR IS NOT TO ADD OR REMOVE ANYTHING
R410 Copyright www.RFduino.com 12/12/2013



LAYERS

 BOTTOM COPPER

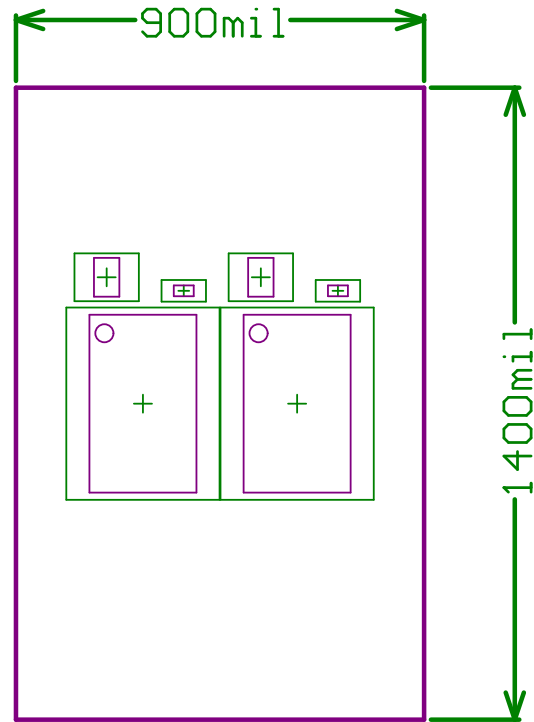
 BOTTOM PASTE

 DIMENSIONS

 ROUTING KEEPOUT LAYER

NO VENDOR MARKINGS, VENDOR IS NOT TO ADD OR REMOVE ANYTHING
R410 Copyright www.RFduino.com 12/12/2013

NO VENDOR MARKINGS, VENDOR IS NOT TO ADD OR REMOVE ANYTHING
R410 Copyright www.RFduino.com 12/12/2013

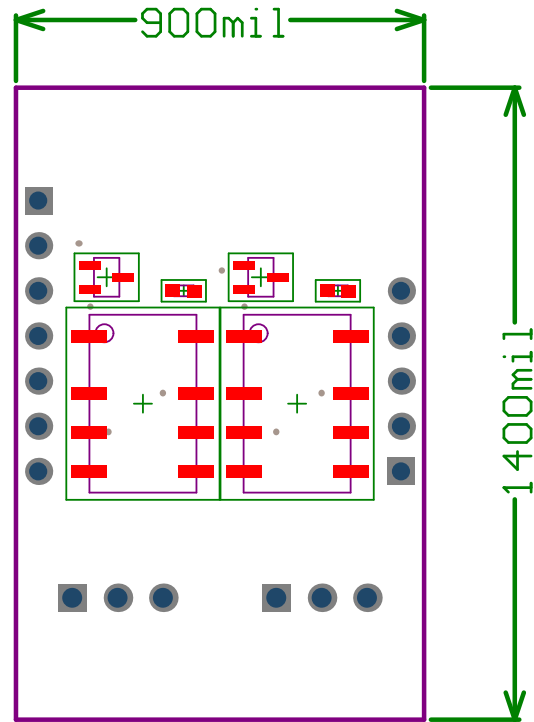


LAYERS



NO VENDOR MARKINGS, VENDOR IS NOT TO ADD OR REMOVE ANYTHING
R410 Copyright www.RFduino.com 12/12/2013

NO VENDOR MARKINGS, VENDOR IS NOT TO ADD OR REMOVE ANYTHING
R410 Copyright www.RFduino.com 12/12/2013

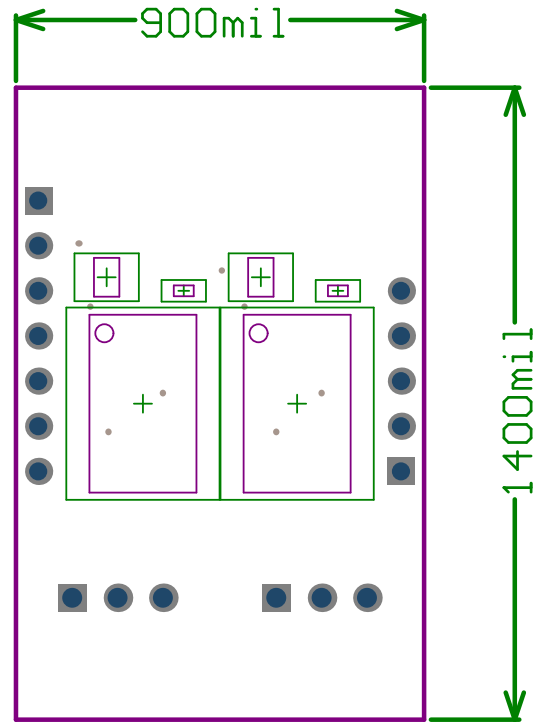


LAYERS



NO VENDOR MARKINGS, VENDOR IS NOT TO ADD OR REMOVE ANYTHING
R410 Copyright www.RFduino.com 12/12/2013

NO VENDOR MARKINGS, VENDOR IS NOT TO ADD OR REMOVE ANYTHING
R410 Copyright www.RFduino.com 12/12/2013

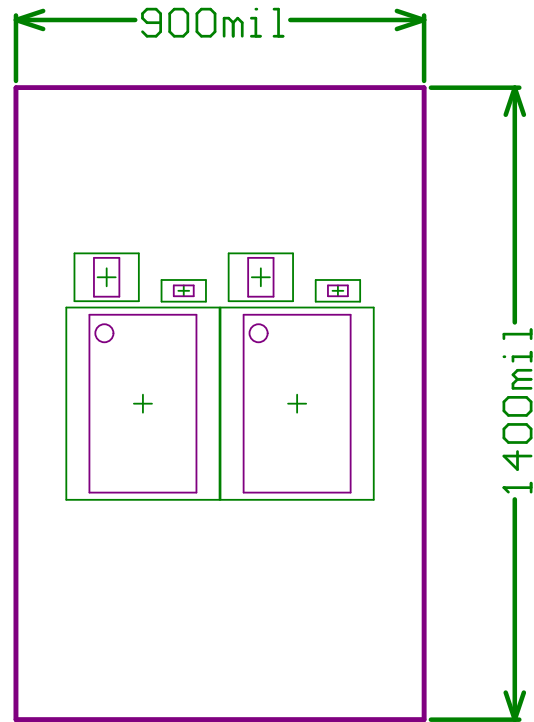


LAYERS



NO VENDOR MARKINGS, VENDOR IS NOT TO ADD OR REMOVE ANYTHING
R410 Copyright www.RFduino.com 12/12/2013

NO VENDOR MARKINGS, VENDOR IS NOT TO ADD OR REMOVE ANYTHING
R410 Copyright www.RFduino.com 12/12/2013

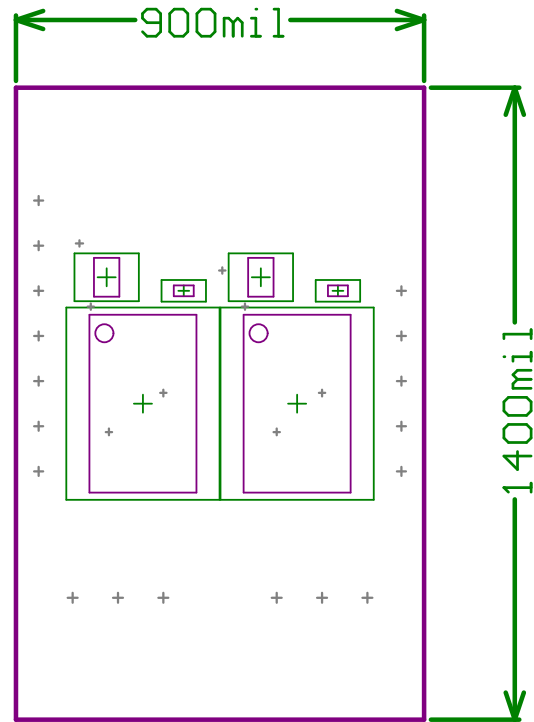


LAYERS



NO VENDOR MARKINGS, VENDOR IS NOT TO ADD OR REMOVE ANYTHING
R410 Copyright www.RFduino.com 12/12/2013

NO VENDOR MARKINGS, VENDOR IS NOT TO ADD OR REMOVE ANYTHING
R410 Copyright www.RFduino.com 12/12/2013



LAYERS

DRILL GUIDE (SLOTS)

DIMENSIONS

ROUTING KEEPOUT LAYER

NO VENDOR MARKINGS, VENDOR IS NOT TO ADD OR REMOVE ANYTHING
R410 Copyright www.RFduino.com 12/12/2013

RFD22131 RFduino Relay Shield

www.RFduino.com

GND Copyright ©

R410 12/12/2013

