

# NTC Thermistor: TTC03 Series



## Φ3mm Disc Type for Temperature Sensing/Compensation

### ■ Features

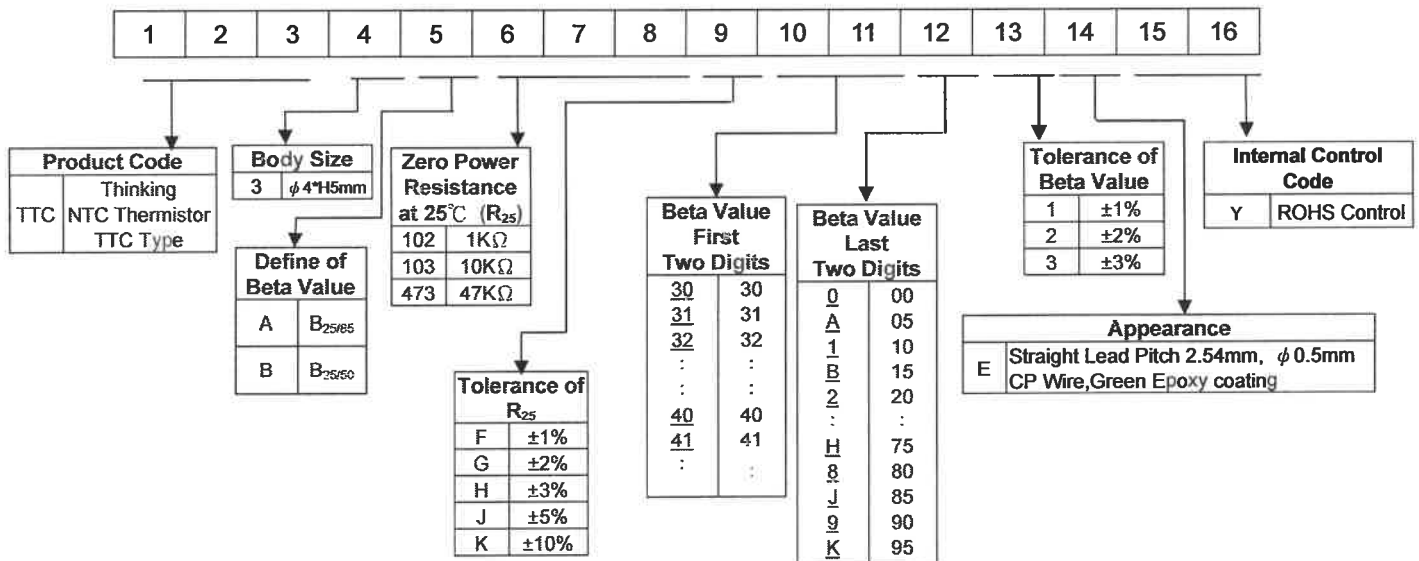
1. RoHS compliant
2. Body size Φ3mm
3. Radial lead resin coated
4. -40 ~ +125°C operating temperature range
5. Wide resistance range
6. Cost effective
7. Agency Recognition: UL /CQC



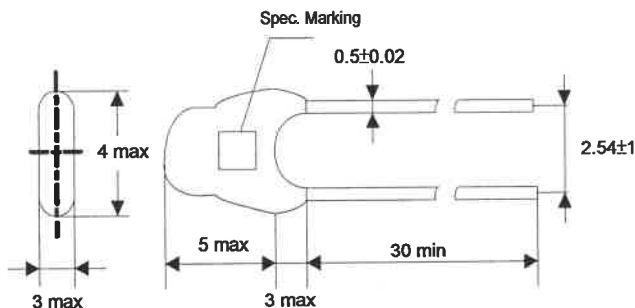
### ■ Recommended Applications

1. Home appliances (air conditioner, refrigerator, electric fan, electric cooker, washing machine, microwave oven, drinking machine, CTV, radio.)
2. Automotive electronics
3. Computers
4. Digital meter

### ■ Part No. Code



### ■ Dimensions



(Unit:mm)

**COMMUNICA (PTY) LTD**  
A WORLD OF ELECTRONICS Reg. No. 1979/003717/07

■ **HEAD OFFICE**  
Tel (012) 657-3500  
Fax (012) 657-3550

E-Mail: [sales@communicaco.za](mailto:sales@communicaco.za)  
Internet: <http://www.communicaco.za>

■ **PRETORIA**  
Tel (012) 322-7613  
Fax (012) 322-3721

■ **JOHANNESBURG**  
Tel (011) 339-8844  
Fax (011) 339-2774

■ **CAPE TOWN**  
Tel (021) 447-0949  
Fax (021) 447-0959

# NTC Thermistor: TTC03 Series



## Φ3mm Disc Type for Temperature Sensing/Compensation

### ■ Characteristics

Part no.	Zero power resistance at 25°C	Tolerance of resistance	B Value	Tolerance of B value	Max. power rating at 25°C	Thermal dissipation constant	Thermal time constant	Operating temperature range	Safety Approvals	
	R25 (KΩ)	(±%)	(K)	(±%)	P <sub>max</sub> (mW)	δ(mW/°C)	τ(Sec.)	T <sub>L</sub> ~T <sub>U</sub> (°C)	UL	CQC
TTC3A901□39D*	0.9	1、2、3、 5、10	25/85	1、2、3	150	≥2.5	≤18	-40~+125	✓	✓
TTC3A102□39D*	1								✓	✓
TTC3A152□39D*	1.5								✓	✓
TTC3A202□39H*	2								✓	✓
TTC3A222□39H*	2.2								✓	✓
TTC3A272□39H*	2.7								✓	✓
TTC3A302□39H*	3								✓	✓
TTC3A332□39H*	3.3								✓	✓
TTC3A472□39H*	4.7								✓	✓
TTC3A502□39H*	5								✓	✓
TTC3A682□39H*	6.8								✓	✓
TTC3A103□34D*	10								✓	✓
TTC3A103□374*	10								✓	✓
TTC3A103□39H*	10								✓	✓
TTC3A123□374*	12								✓	✓
TTC3A153□374*	15								✓	✓
TTC3A203□374*	20								✓	✓
TTC3A223□374*	22								✓	✓
TTC3A333□409*	33								✓	✓
TTC3A473□409*	47								✓	✓
TTC3A503□39H*	50								✓	✓
TTC3A503□406*	50								✓	✓
TTC3A683□419*	68								✓	✓
TTC3A104□419*	100								✓	✓
TTC3A154□437*	150								✓	✓
TTC3A224□437*	220								✓	✓
TTC3A334□457*	330								✓	✓
TTC3A474□457*	470								✓	✓

Note 1: □ = Tolerance of resistance

Note 2: \* = Tolerance of B value

Note 3: UL File No.E138827 CQC File No. 04001011966