

1

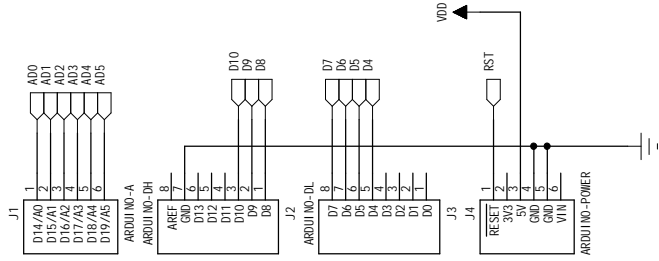
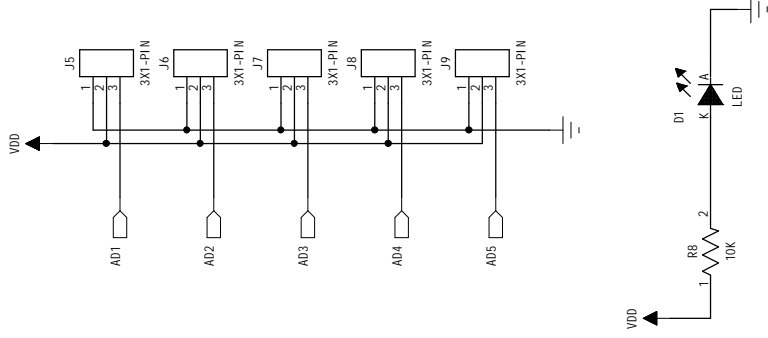
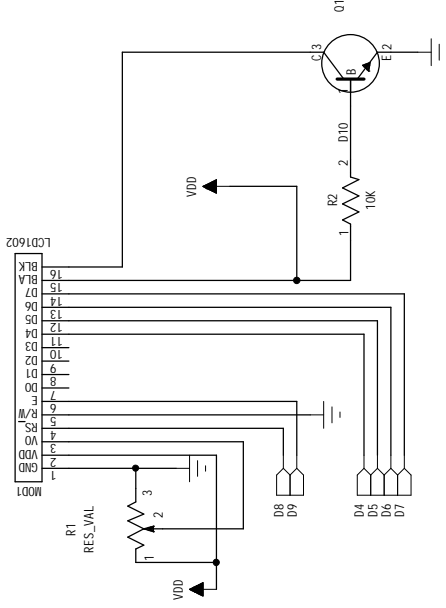
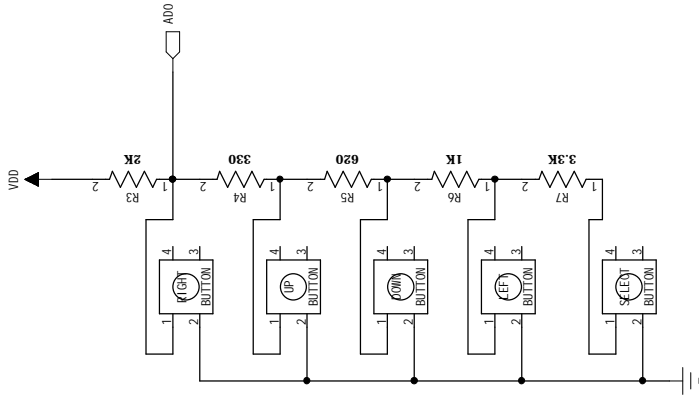
2

3

4

5

6



D

C

B

D

C

B

<b>Company:</b>	
<b>Project Name:</b>	<b>Rev:</b>
<b>Sheet Name:</b> <undefined>	
<b>Designed by</b>	
<b>File Name:</b> Icd1602_shield_schize:B	
<b>Date :</b>	<b>Page Num:</b> 1 of 1

A

A