

6

5

4

3

2

1

D

D

C

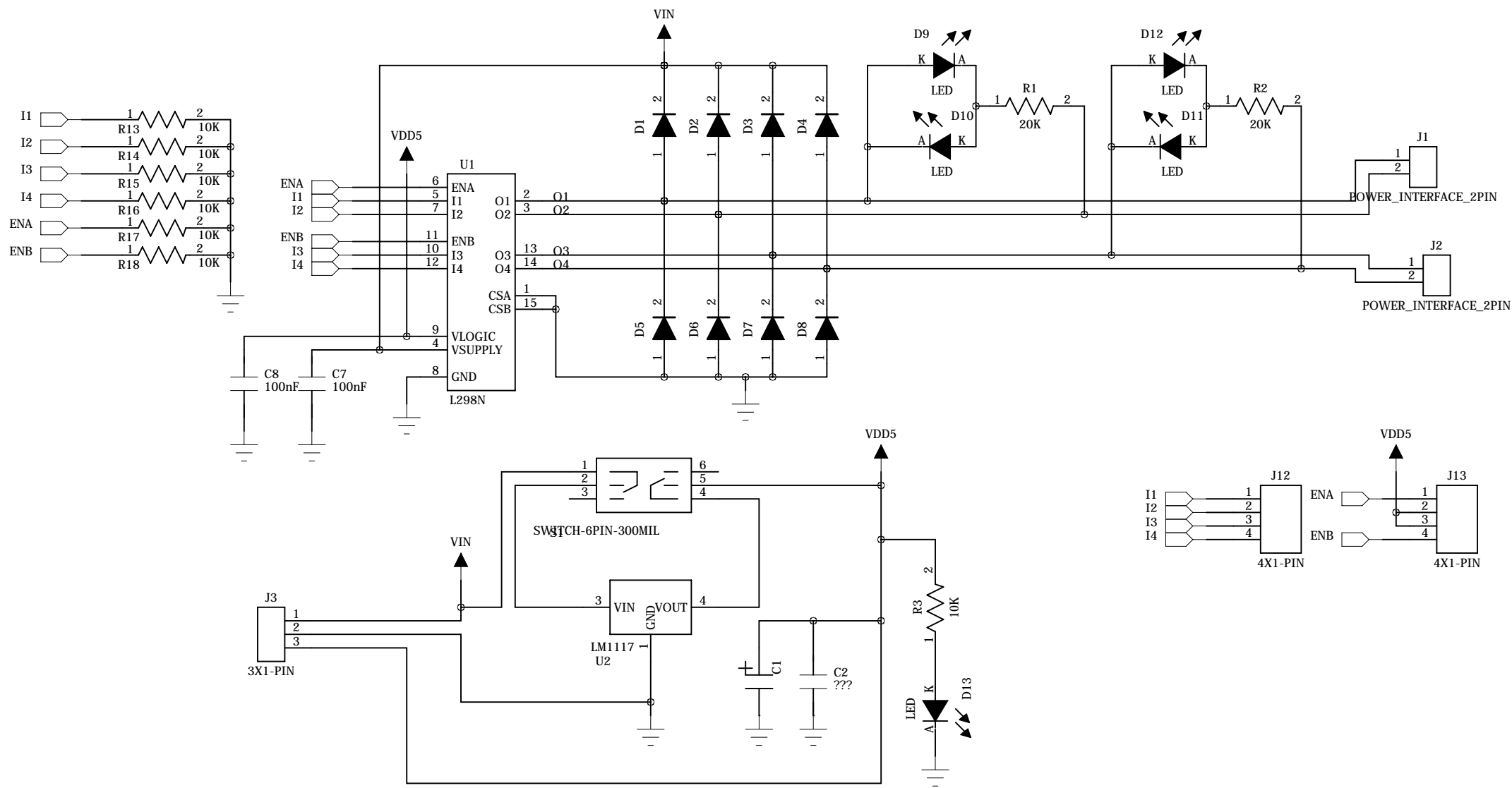
C

B

B

A

A



Company: <Company Name>	
Project Name: <Title>	Rev: <Revision>
Sheet Name: <undefined>	
Designed by <Drawn By>	
File Name: Motor_driver.sch	Page size: B
Date: <Release Date>	Page Num: 1 of 1