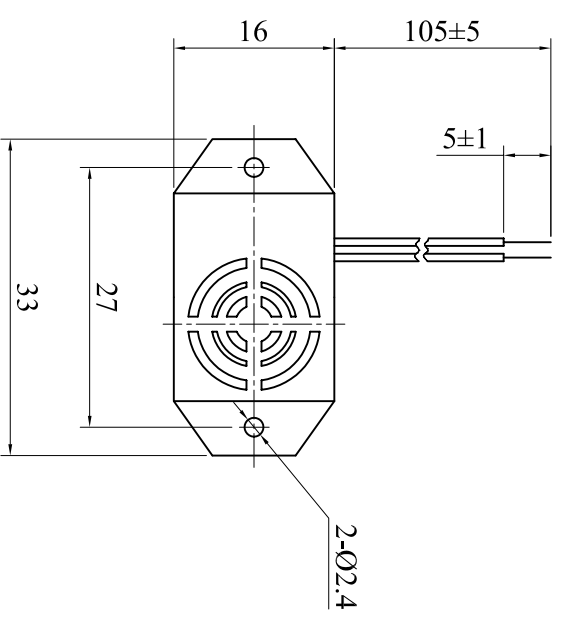
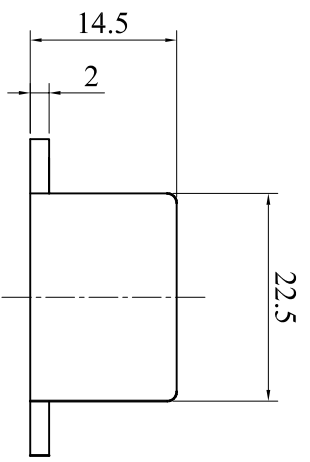


SPECIFICATION

- 1. Rated Voltage 1.5VDC
- 2. Operating Voltage 1.3~2VDC
- 3. Max. Rated Current 20mA at 1.5VDC
- 4. Resonant Frequency 400±100Hz
- 5. Min. Sound Pressure Level..... 70dB at 1.5VDC/20cm
- 6. Response Time..... ≤50ms
- 7. Shell Material/Color ABS/White
- 8. Operating Temperature -20~+60°C
- 9. Store Temperature -30~+70°C
- 10. Weight 10g



No.	DESCRIPTION	APPROVED	DATE	KEPO NINGBO KEEP IMPROVING ELECTRONIC CO.,LTD http://www.chinaacoustic.com
TOLERANCES: DIMENSIONS	APPROVALS	DATE		
NOTED OTHERWISE	DRAWN			
XX ±	CHECKED			UNIT
XXX ±	APPROVED			mm
90° ANGLES ±1°				DWG NO. KP3.840.601.03
FIRST ANGLE PROJECTION			03.08.07	SHEET
				VER 1.0