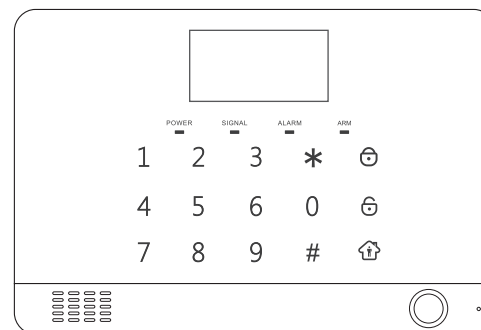




# GSM Smart Alarm System



## User Manual

For a better understanding of this product, please read this user manual thoroughly before using it.

# CONTENTS

<b>I、 Brief Introduction</b> .....	1
<b>II、 About Product</b> .....	2
<b>III、 Installation tips</b> .....	4
<b>IV、 Preperation before use</b> .....	5
<b>V、 Functions</b> .....	5
<b>VI、 System Setting</b> .....	7
<b>VII、 Parameters</b> .....	11
<b>VIII、 Basic Configuration</b> .....	12
<b>IX、 Storage and Transportation</b> .....	12



## I、 Brief Introduction

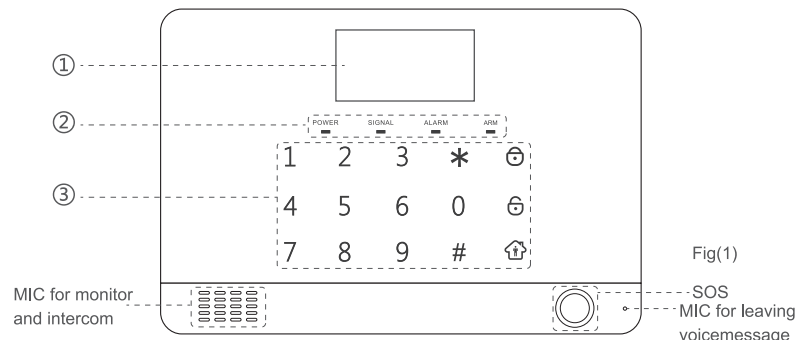
This GSM smart alarm system supports convenient settings by both touch keypad and remote SMS, its powerful security functions and smart humanized designs provides you with comfortable, safe and peaceful life.

### Features

- ★ GSM quad band network.
- ★ 20 wireless zones support 100 wireless detectors, 7 wired NO&NC zones, support 8 remote controllers.
- ★ LCD Display for showing arm/disarm/alarm information.
- ★ Preset 6 groups of alarm telephone No. for calling alarm.
- ★ Preset 3 groups of SMS No. for SMS alarm.
- ★ Built-in english SMS auto sending when alarm.
- ★ Away arm/home arm/disarm/siren time/delay are individually programmable.
- ★ 8 zone places cover door/hall/window/balcony/perimeter/SOS/fire/gas.
- ★ Built-in rechargeable lithium battery for continuously working.
- ★ External power ON/OFF SMS alert.
- ★ Dialing function as a telephone.
- ★ Arm/disarm/monitor/intercom are remotely programmable.

## II、 About Product

### Panel Diagram



Fig(1)

### Function Indicator

Icon	Name	Description
Power	Power Indicator	Normal NO when powered by external power. Flash once per seconds when powered by internal battery.
Signal	Signal Indicator	Normal OFF but flash when receives signal from wireless sensors.
Alarm	Alarm Indicator	Quick flashes when alarms.
Arm	Status Indicator	Normal ON in arm status. Breathing flash when in home arm status, and OFF when disarm.

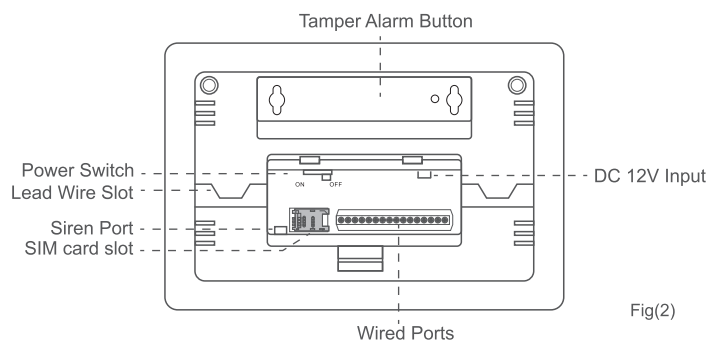
### Button Area

	Away arm	Press away arm when leave home to enter arm status.
	Disarm	Password + Disarm button to disarm the system



	Home arm	When the host is at home, the panel is under arm status but will not be triggered, only the intruder will trigger alarm.
/	SOS	Long press SOS button to make SOS alarm.
*	Long press * to dial	Under disarm status, input telephone No. And long press dialing button to make a phone call. Or when coding, press this button to save.
*	Clean/Back	When input by wrong, press this button to clean wrong content.

### Backside Diagram

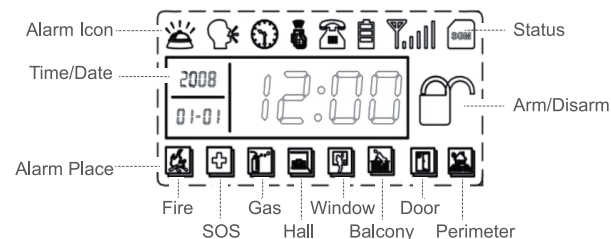


Fig(2)

### Wired Ports

SP+	SP-	GND	Z7	GND	Z6	GND	Z5
Siren+	Siren-	Ground	Wired zone 7	Ground	Wired zone 6	Ground	Wired zone 5
GND	Z4	GND	Z3	GND	Z2	GND	Z1
Ground	Wired zone 4	Ground	Wired zone 3	Ground	Wired zone 3	Ground	Wired zone 1

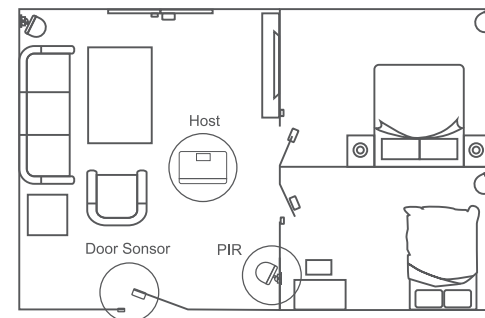
### LCD Display



Fig(3)

### III、 Installation tips

The panel should be installed at the center of the protected area, to cover the signal sending from all detectors, and avoid big metal materials, high frequency devices and concrete wall/fire-proof door.



Fig(4)

### Note:

1. Panel install at the center of protected area.
2. Door sensor is for door, window, drawer etc..
3. PIR is for 110 degree sector area, should be at the place with 2M height, where the intruders probably pass by.



## IV、Preperation before use

Normal start-up is important for longer working life.

### GSM:

- ① Insert SIM Card with no power connected.
- ② Connect power, turn it ON, then the panel will automatically enter network searching status.
- ③ After searching network, GSM icon on display right corner will turn normal ON from blinking.

## V、Functions

### Dual Language

This panel supports 2 languages, factory default is English and Chinese. If there is other language needed, we can do customized modification.

### Dialing function

Dialing function is supported on panel. Under disarm status, input telephone No. and long press dialing button to make phone call. If No. Is input by wrong, please press \* to clean and re-input.

### System Arm/Disarm/ Home Arm

System arm/disarm is programmable via panel touch keypad/remote controller/SMS/telephone call.

**Disarm:** control password is needed when disarm by panel keypad, factory default is 123456, then press disarm and # to confirm. If password is input wrongly, the panel is back to standby status.

**Arm:** press arm button. If arm delay is set, there will be beep per second.

**Home arm:** press home arm on panel.

**Remote SMS Arm/Disarm:** Send Control Password+1#/2#/3# to control

SMS Arm: 123456#1#

**SMS Disarm:** 123456#2#

**SMS Home Arm:** 123456#3#

Lock/unlock/home arm buttons on remote controller are for arm/disarm/home arm.

The remote controller should be coded with the panel before use.

Arm/disarm/home arm can also be done on APP.

### Trigger Alarm

Under Standby status, long press SOS button on the panel.

Under non-setting status, press SOS button on remote controller.

**Zone Alarm:** When the zone is set as ABLE(see command table), 20 wireless zones(for 100 detectors), 7 wired zones are able to trigger alarm.

### Alarm Process

The system is based on GSM network, when this is alarm, it will enter alarm status, external siren will be ON(Factory default ON, and optional by command), the system will make call to 6 groups of preset alarm telephone No. and send SMS to 3 groups of preset SMS No. Alarm telephone No. and SMS No. are both editable by users, factory default cycle calling by 3 times, for example, if 6 groups of telephone No. are set, then the calling process will be Tele.1, Tele. 2, Tele.3, Tele.4, Tele. 5, Tele. 6>Tele.1, Tele. 2, Tele.3, Tele.4, Tele. 5, Tele. 6>Tele.1, Tele. 2, Tele.3, Tele.4, Tele. 5, Tele. 6

If the alarm call get through, there will be alarm voice tip heard, and the system will enter monitoring status, external siren will be OFF. When answering the call, user can press 1# to arm, 2# to disarm, 3# to monitor and 4# to make intercom. If user does not arm or disarm when answer the alarm call, the panel will continue to call next telephone No.. If the user arm/disarm, then the system will stop alarming and go back to standby status after this alarm call.

### Remote Calling Control

The system supports remote control by calling, user can make call to the panel, input Control Password(factory default 123456) after the call gets



through, and press # to enter remote control. If the password is input wrongly by 3 times, the call will automatically hang on and need re-dial. If there is not any program in 60s in call remote controlling process, the call will also automatically hang on.

### External Power Supply SMS Alert

There is lithium battery built in panel, rechargeable by external AC power. And there is AC power connection ON/OFF SMS alert function (default as OFF) to remind users about power condition, users can use command to set it ON. SMS alert is as below:

Power OFF SMS: system power OFF

Power ON SMS: system power ON

### Sensors Anti-Tamper and Low Power Alert

Zone sensor low power and tamper SMS alert function is default as ON, SMS content is as below:

Sensor low power SMS alert: XX wireless zone XX sensor low power

Sensor tamper SMS alert: XX wireless zone XX sensor tamper alarm

## VI. System Setting

System settings can be done on panel keypad, input setting password(default as 123123) to enter setting status, \*\*# to exit. Command is as below:

Setting Item	Command	Description
Factory reset	95175308246#	Input reset password under standby status, and all settings will be back to factory reset.
Change setting password	10*AAAAAA#	Setting password is for panel setting, 6 numbers, factory default is 123123.
Change control password	11*AAAAAA#	Panel keypad disarm/SMS program/-calling program need control Password, 6 numbers, factory default is 123456

Set language	20*AA#	AA: 00 stands for Chinese, 01 stands for English(factory default)
Change alarm tele. No.	21*AA*?#	AA: 01-06 Stands for 6 groups of telephone No. ?: Stands for 1-20 numbers
Delete tele. No.	21*AA*#	AA: 01-06 Stands for 6 groups of tele. No.
Change SMS No.	22*AA*?#	AA: 01-03 Stands for 3 groups of tele. No. ?: Stands for 1-20 numbers
Delete SMS No.	22*AA*#	AA: 01-03 stands for 3 groups of SMS No.
Record for 10S	30*AA#	AA:01: stands for record 10S 02: stands for play 10S
Zone property setting	60*AA*BB*C*D#	AA: Zone No.(01-20 wireless zones, 21-23 wired zones) BB: Installation place: 01 Gas Zone            02 Door Zone 03 Hall Zone            04 Window Zone 05 Balcony Zone        06 Perimeter Zone 07 SOS SOS Zone      08 Fire Zone C:Siren ([0]Unable[1]1Min~[5]Min) factory default 1Min D: Delay alarm(0Unable(Default)1able)
Arm/disarm/home arm setting	61*AA*B*C*D#	AA: zone No.(01-20 wireless zones, 21-23 wired zones) B: arm (0 Unable 1Able) default as able C: home arm (0Unable 1Able) default as unable D: disarm (0 Unable 1 Able) default as unable



Delay arm/delay alarm/remote controller SOS/siren time	54*AA*BB*CC#	AA: delay arm(default as 40S), range 00-99S BB: delay alarm(default as 60S), range 00-99S CC: SOS siren time(default as 3Min), range 00-10Min Note: zone siren time is not setting here
Remote controller coding	50*00*1#	Panel enter coding status, press remote controller to make a transmission, then remote controller address No. will show on display, press disarm button to save. Support 8 pcs in total.
Delete remote controller	50*00*0#	Delete all remote controllers.
Wireless zones coding	50*AA*1#	AA: 01-20 stands for zones, enter zone coding, and trigger the sensors, then press disarm button to save. 20 Wireless zones name is cycling as below: 1 door zone; 2 hall zone; 3 window zone; 4 balcony zone; 5 perimeter zone; 6 fire zone, 7 SOS zone; 8 gas zone. Note: each zone max. for 5 sensors.
Delete wireless zone coding	50*AA*0#	AA: 01-20 stands for wireless zones, choose the zone you want to delete, and it will automatically enter coding status of this zone after deleting.
Time setting	55*AABBCCD-DEE#	AA:Year range 00-99 BB:Month range01-12 CC:Date Range01-31 DD:Hour range00-23 EE:Min range00-59

Timing arm	56*AA*BB#	AA: Hour range 00-23 BB: Min range 00-59 00 stands for timing arm OFF(default)
Timing disarm	57*AA*BB#	AA: Hour range 00-23 BB: Min range 00-59 00 stands for timing disarm OFF(default)
IMIE Inquiry	65#	Per 4 numbers of IMIE code show 1S
GSM signal Inquiry	67#	Display 01-33 99 stands for no signal
Wireless RF transmission setting	70*A#	A: 1 Turn ON (default) 0 Turn OFF
Wireless RF transmission address setting	71*AAAA#	AAAA: Range: 0001~9999; Default 1234
Zone low power SMS alert	72*A#	A 1: Able(Default) 0: Unable Note: SMS alert only
Remote controller siren	73*A#	A 0: Unable 1: Able(default)
Zone tamper SMS alert	74*A#	A 1: Able(Default) 0: Unable Note: SMS alert only.
Arm/disarm siren tip	75*A#	A 1: Siren ON(default) 0: Siren OFF
Panel arm/disarm SMS alert	76*A#	A:1: Able 0: Unable(default)
AC power ON/OFF SMS alert	77*A#	AC Power ON/OFF SMS alert(need 1 min) A1: Able 0: Unable(default)



Arm/disarm voice prompt	78*A#	A:1: Able(default) 0: Unable
Overall voice prompt	79*A#	A 1: Able(default) 0: Unable
Alarm record Inquiry	100#	30 alarm record supported, if exceed, the latest one will automatically cover the most previous one. press dialing button to check next one, display will show its series No., zone No and zone name, next second will show alarm time.

## VII、 Parameters

Power supply	AC=110-240V±10% DC=7.4V (Built-in 7.2V Ni-MH rechargeable battery)
Static current	< 70mA
Alarm current	< 400mA
Wireless frequency	433MHz±0.5MHz
Wireless transmission distance	70m ( in the open area )
GSM band	850/900/1800/1900MHz
Wireless sensitivity	5mV/m
Anti-interference	1V/m ( frequency range20-1000 MHZ )
External siren volume	110dB
Working environment	Temperature0°C~ +40°C Humidity≤90% No Frozen
Max. wireless sensors	8PCS remote controllers and 100 sensors
Size	180*137*24mm

## VIII、 Basic Configuration

Panel ×1	4-Key remote controller ×2	Siren ×1
Wireless PIR ×1	Wireless door sensor ×1	User manual ×1
Backup battery ×1	AC power adaptor DC12V/500mA ×1	

## IX、 Storage and Transportation

**Storage condition:** -10°C ~ +40°C Temperature, Humidity less than 90%, with good air flow, standard carton layer less than 6.

**Transportation:** Standard carton layer less than 6, avoid crash during transportation, and above other conditions.