

WiFi



## Smart WiFi Plug

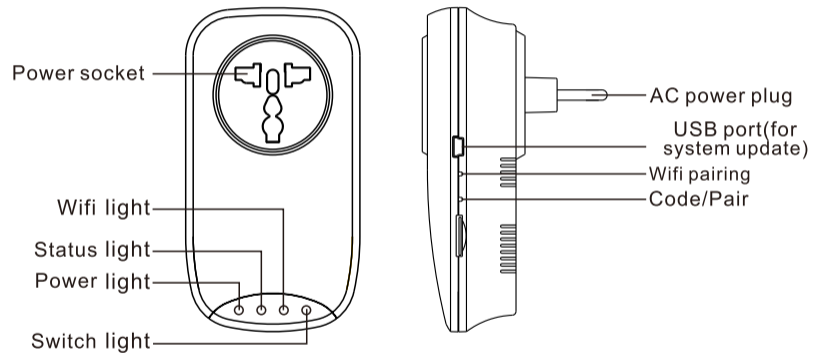


User's Manual

# Contents

<b>I.Diagram</b> .....	1
<b>II.Functions &amp; Features</b> .....	2
<b>III.Operation Guide</b> .....	3
<b>IV.System Settings</b> .....	3
1.Network setting .....	4
2.Remote control pairing .....	4
3.Back to factory settings .....	5
4. APP Operations .....	6
<b>V.Technical Parameters</b> .....	11

## I.Diagram



## II.Functions & Features

### **Timing control:**

User can set 100 groups of timing setting, support 4 timing modes (one time, every day, every week and specific date).

### **Local control:**

User can switch ON and switch OFF the switch by remote control locally, support 10 remote controls maximum.

### **Remote control via Smart phone:**

User can remotely control and operate the plug through your smart mobile phone.

### **Wi-Fi connection:**

Communicate with devices through Wi-Fi connection.

### **Auto Recovery:**

Plug will automatically back to former working status in case of power supply sudden cut-off and recovery.

## III.Operation Guide

1. Plug suits to AC100-250V power socket, after correct installation, power indicating light will turn on, and plug enter defaulted OFF status.
2. After power on, you can reset it to factory setting to make sure the plug works properly.
3. Through smart phone APP to connect router and carry out network settings before use the plug, after setting you can easily control the plug via your mobile phone, and you need to set it again if router password changed.
4. Support control and operation by local remote controls, which have been paired with the plug.

## IV.System Settings

## 1. Network setting

Smart phone need to install SmartSK application first, then connect with router Wi-Fi, open SmartSK and click config, input router password, short press the WiFi key on the plug, LED light fast flashing, then press the Start key on your mobile phone interface, enter the network setting process. WiFi status light slowly flashing means under connecting with router, stop flashing and keep still on indicate plug connect with router successfully, your smart phone will receive feedback, plug will remember router password, next time connect automatically.

Click Search after network setting completed to search for local plugs, all the connected plugs will show in the list. Press relevant plug to control them or to set timer, details see below APP operation parts.

## 2. Remote control pairing

This plug supports 10 remote controls, user can buy and pair them according to actual needs.

Short press Pair button, buzzer start di sound and pairing led keep still on, plug enter Pair waiting status, then can trigger remote controls to be paired, buzzer make di di sound and led light fast flashing, indicate pairing completed. Use same way to pair more remote controls. The paired remote controls will be numbered 1,2,3 to 10 by time sequence, if pair over 10 remote controls, the earliest remote control will be deleted by the latest one. During the pair waiting time, again short press Pair button or no operation in 30 second, plug will back to standby status.

## 3. Back to factory settings

Reset to factory settings, can clear user defined operation information, plug re-name, paired remote controls etc.

Press Pair button for 6 second, after two di di buzzer sounds, Switch led and Pair led will fast flash, reset completed.

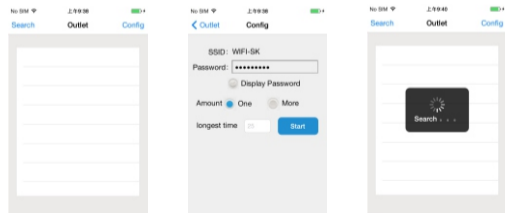
If user only wants to clear router password, do not need to clear timer they have set and remote controls already paired, can press Wifi

button for 5 second then release it.

## 4. APP Operations

### ● Network setting

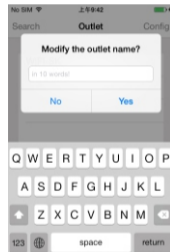
Smart phone connect with Wi-Fi, open SmartSK and click config, input router password, short press the WiFi key on the plug, LED light fast flashing, then press the Start key on phone interface, start the network setting process. after connection with router wifi then click Search button to search for local plugs, all the connected plugs will show in the list.



### ● Change plug name

Defaulted plug name is WIFI-SK, user can define them to differentiate these plugs.

Long press the plug you want to change name in the plug list, re-name it in the pop-up dialog box, then click yes to save it.



### ● Switch ON/OFF control

Click the switch you need to control, its current status (On or Off) and time will be revealed. Yellow refers to Off, Blue refers to On, you can

press it to switch it in between.



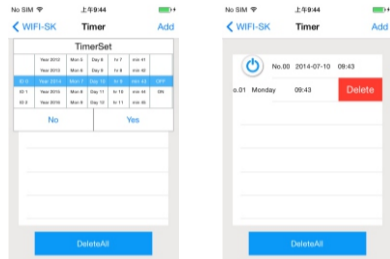
### ● Time setting

User can set/change the system time (click the time indication position) to make sure the plug time synchronous with mobile phone time.

### ● Add timer

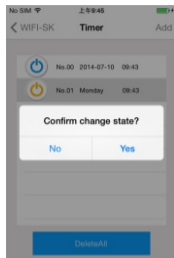
Plug supports to set timer by Week and Date format. Click Add button

to choose Week or Date mode, total can set 100 timer. Pull the scrollbar to choose timer number, time and switch status, click yes to confirm.



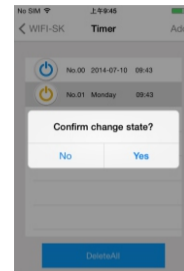
### ● Delete timer

Long press the timer you want to delete, choose yes in the pop-up dialog box.



### ● Change timer state

Short press the timer, click yes to confirm change its switch state.  
(Former status On will change to Off, and former Off will change to On)



### V. Technical Parameters

Power supply: AC 100- AC250V

Frequency: 315MHz / 433MHz

Receiving code: ASK

Wireless range: 50 meters (no obstacle)

Communication: Wifi

Output current: 15A 250V AC

Environment: indoor use only (humidity < 95%)

Size: 126x68x38mm