

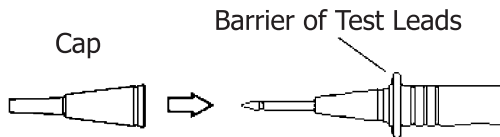
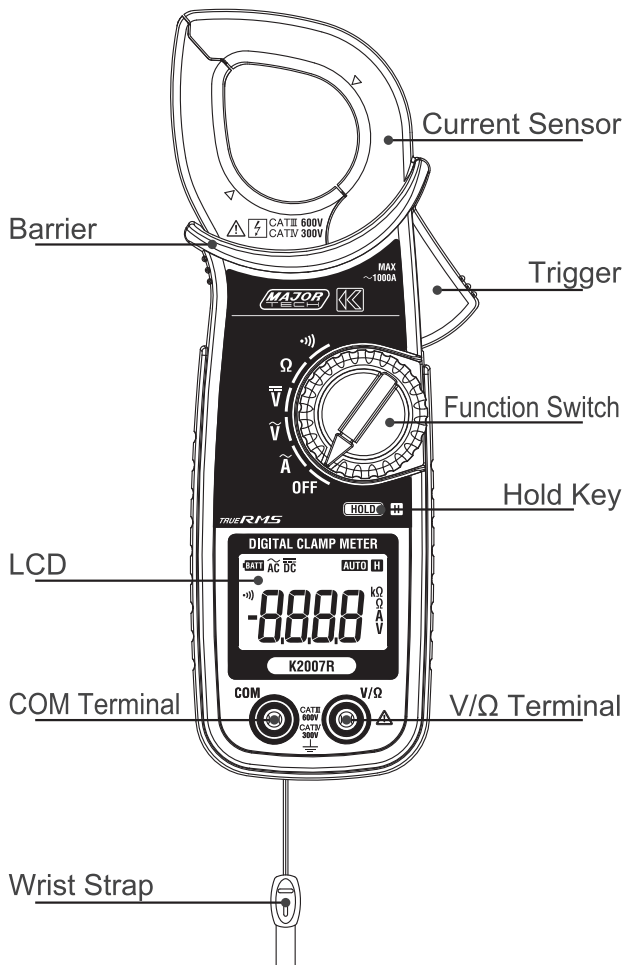
Instruction Manual



KYORITSU ELECTRICAL INSTRUMENTS
WORKS, LTD.

K2007R **1000A AC** **Clamp Meter**








Safety Warnings


This instrument has been designed, manufactured and tested according to IEC 61010: Safety requirements for Electronic measuring apparatus, and delivered in the best condition after passed the inspection. This instruction manual contains warnings and safety rules which must be observed by the user to ensure safe operation of the instrument and retain it in safe condition. Therefore, read through these operating instructions before using the instrument.


WARNING

- Read through and understand the instructions contained in this manual before using the instrument.
- Keep the manual at hand to enable quick reference whenever necessary.
- The instrument is to be used only in its intended applications.
- Understand and follow all the safety instructions contained in the manual.
- It is essential that the above instructions are adhered to. Failure to follow the above instructions may impair the protection provided by the instrument and test leads, and may cause injury, instrument damage and/or damage to equipment under test.

The symbol  indicated on the instrument means that the user must refer to the related parts in the manual for safe operation of the instrument. It is essential to read the instructions wherever the symbol  appears in the manual.

 **DANGER** is reserved for conditions and actions that are likely to cause serious or fatal injury.


 **WARNING** is reserved for conditions and actions that can cause serious or fatal injury.


 **CAUTION** is reserved for conditions and actions that can cause injury or instrument damage.

- Marks listed below are used on this instrument.

 User must refer to the manual.

 Instrument with double or reinforced insulation

 Indicates that this instrument can clamp on bare conductors when measuring a voltage corresponding to the applicable measurement category, which is marked next to this symbol.

~ AC = DC  Ground (Earth)



This instrument is subject to WEEE Directive (2002/96/EC).

Please contact our dealer near you at disposal.

Measurement Category

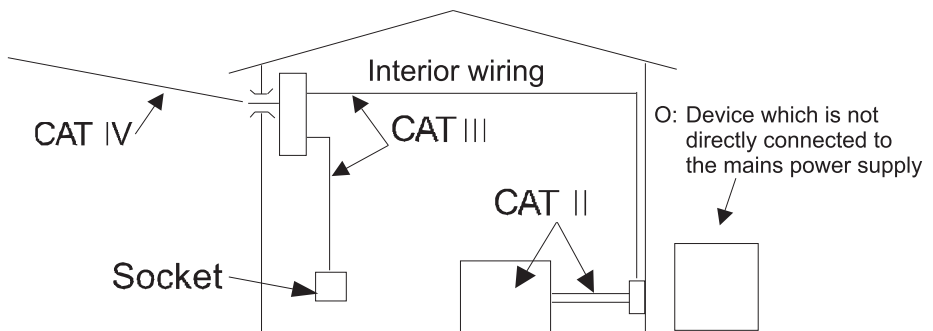
O Circuits which are not directly connected to the mains power supply.

CAT II Primary electrical circuits of equipment connected to an AC electrical outlet by a power cord.

CAT III Primary electrical circuits of the equipment connected directly to the distribution panel, and feeders from the distribution panel to outlets.

CAT IV The circuit from the service drop to the service entrance, and to the power meter and primary over current protection device(distribution panel).

This instrument is designed for CAT IV 300V / CAT III 600V. Test leads K-7066A with the supplied cap are designed for CAT IV 600V / CAT III 1000V and without the caps are for CAT II 1000V.



DANGER

- Never make measurements under the circumstances exceeding the designed measurement category and the rated voltage of the instrument and the test leads.
- Do not attempt to make measurement in the presence of flammable gasses. Otherwise, the use of the instrument may cause sparking, which can lead to an explosion.
- Never attempt to use the instrument if its surface or your hand is wet.
- Do not exceed the maximum allowable input of any measuring range.
- Never open the Battery cover during a measurement.
- To avoid electrical shock by touching the equipment under test or its surroundings, be sure to wear insulated protective gear.
- Never measure current while the test leads are inserted into the input terminals.
- Test leads to be used for voltage. Measurements shall be rated as appropriate for Measurement Category III or IV according to IEC 61010-031 and shall have a voltage rating of 600V or higher.
- Barriers on the instrument body and the test leads provide protection to keep your fingers and hands from touching an object under test. Keep your fingers and hands behind the barriers during measurement.

WARNING

- Never attempt to make measurement if any abnormal conditions, such as broken case and exposed metal parts are found on the instrument or test leads.
- Verify proper operation on a known source before use or take action as a result of the indication of the instrument.
- Firmly attach the caps to the test leads when performing measurements in CAT III or higher test environments. When K2007R and the test leads are combined and used together, whichever is lower category & voltage to earth either of them belong to is applied.
- Do not rotate the Function Switch if the instrument and the equipment under test are connected.
- Do not install substitute parts or make any modification to the instrument. For repair or re-calibration, return the instrument to your local Major Tech distributor

 **CAUTION**

- Use of this instrument is limited to domestic, commercial and light industry applications. Strong electromagnetic interference or strong magnetic fields, generated by large currents, may cause malfunction of the instrument.
- Connect the test leads to the terminals firmly.
- This instrument isn't water proofed. Keep away from water.
- Do not pull or twist the test leads to prevent the risk of damage.
- Power off the instrument after use. Remove batteries if the instrument is to be stored and will not be in use for a long period.
- Do not expose the instrument to the direct sunlight, high temperature and humidity or dewfall.
- Use a cloth dipped in water or neutral detergent for cleaning the instrument. Do not use abrasives or solvents.

NOTE

- The LCD shows some digits at the AC V and the DC V ranges even while the test leads are open. In addition, the LCD shows some digits instead of 0 when short-circuiting the test leads. However, these phenomena don't affect measurement results.

1. Specifications

Temperature: $23 \pm 5^{\circ}\text{C}$, Humidity: 45 - 75%

ACA

Range	Display Range	Accuracy (sine wave)*1
600A	0.0, 0.4-629.9A	$\pm 1.5\% \text{rdg} \pm 4 \text{dgt}$ (45-65Hz)
1000A	570-1049A	$\pm 2.0\% \text{rdg} \pm 4 \text{dgt}$ (40-400Hz)

*1 : when the measured conductor is in the center of clamp jaw
Guaranteed accuracy : 0.8A -1000A, less than 1500A
Peak Input protective current : AC1200A

ACV

Range	Display Range	Accuracy (sine wave)
600V	0.0, 0.6-629.9V	$\pm 1.2\% \text{rdg} \pm 3 \text{dgt}$ (45-65Hz) $\pm 1.5\% \text{rdg} \pm 4 \text{dgt}$ (40-400Hz)

Guaranteed accuracy : 1.0V - 600.0V, less than 900V Peak Input
protective voltage : AC/DC 720V 10 sec

DCV

Range	Display Range	Accuracy
600V	0.0- ± 629.9 V	$\pm 1.2\% \text{rdg} \pm 3 \text{dgt}$

Guaranteed accuracy : 0.0V - ± 600.0 V
Input protective voltage : AC/DC 720V 10 sec
ACV/DCV input impedance : approx. 10M Ω

Resistance / Continuity (Auto-range)

Range	Display Range	Accuracy
600 Ω	0.0-629.9 Ω	$\pm 1.3\% \text{rdg} \pm 5 \text{dgt}$
6k Ω	0.570-6.299 k Ω	$\pm 2.0\% \text{rdg} \pm 3 \text{dgt}$
Cont.	0.0-629.9 Ω	Bz threshold value <90 Ω

Guaranteed accuracy : 0.0 Ω - 6.000k Ω
Open-loop voltage : 3V or less
Input protective voltage : AC/DC 600V 10 sec

- Measuring method : $\Delta \Sigma$ modulation
- Over-range indication : OL
- Measurement cycle : 2.5 times per second
- Crest factor : less than 3 (45-65Hz)
Add $\pm 0.5\% \text{rdg} \pm 5 \text{dgt}$ to above specified accuracies. (Applicable functions : ACA, ACV)
- Applicable Standards :
IEC 61010-1/ 61010-2-032/ 61010-2-033 (instrument) Pollution degree 2, Indoor use, Altitude up to 2000m CAT III 600V / CAT IV 300V
IEC 61010-031 (Test leads Model 7066A)
w/ caps CAT IV 600V / CAT III 1000V w/o caps CAT II 1000V
IEC 61326 (EMC), EN 50581 (RoHS)
- Withstand voltage: AC 5160Vrms 5sec
between current sensor and enclosure or circuit and enclosure
- IP rating : IP40 (IEC 60529)
- Insulation resistance :
>100M Ω / 1000V between enclosure and electrical circuit
- Operating Temperature and humidity range :
0 to 40°C 85%RH or less (no condensation) ACV
- Storage Temperature and humidity range :
-20 to 60°C 85%RH or less (no condensation)
- Power source : DC 3V R03 / LR03 (AAA) $\times 2$
- Current consumption : < 4mA

- Battery life (ACA, continuous, no load, with R03)
: approx. 170 hours
- Dimension, Weight : 204(L)×81(W)×36(D)mm, approx. 220g
(including batteries)
- Accessories :

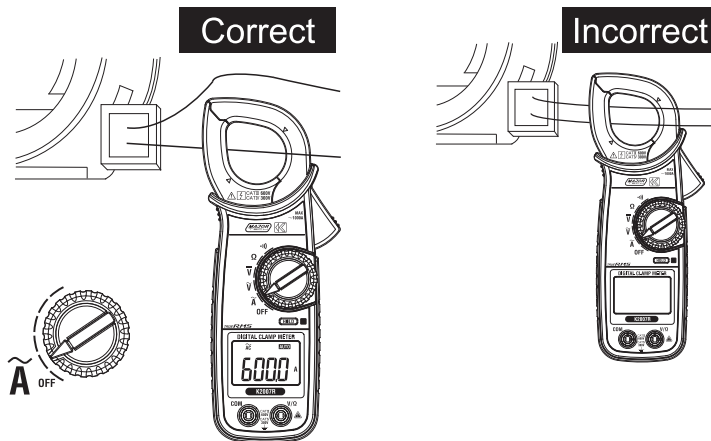
Test leads Model 7066A	1set
Battery R03(AAA)	2pcs
Instruction manual	1pce
Carrying case Model 9079	1pce

2. ACA Measurement

! DANGER

- Disconnect the test leads from the instrument when performing a test.
- Do not exceed the rated voltage (600V) and the category ratings of the instrument.
- Keep your fingers and hands behind the barrier during measurement.

- (1) Set the Function switch to AC A position.
- (2) Press the trigger to open the Current Sensor and clamp the one conductor (Dia. 33mm max.) under test.



NOTE

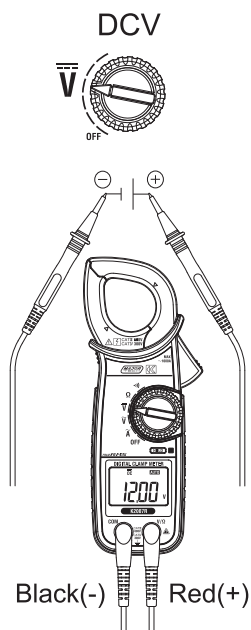
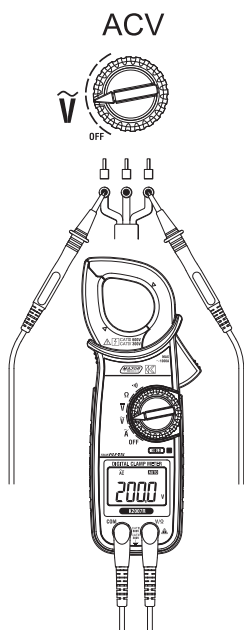
Measurement accuracy is guaranteed when the measured object is placed at the center of the Current Sensor.

3. ACV/DCV Measurement



- Before starting a measurement, ensure that the Function switch is set to the appropriate position.
- Do not exceed the rated voltage (600V) and the category ratings of the instrument.
- Keep your fingers and hands behind the barrier during measurement.

- (1) Set the Function switch to AC V or DC V position.
- (2) Firmly connect the test leads to V/ Ω and COM terminals.



NOTE

If the connection is reversed, the LCD indicates the " — " mark (DCV measurement).

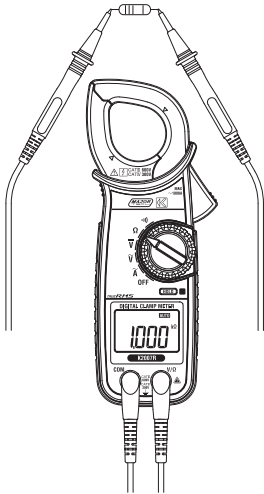
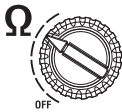
4. Resistance(Continuity)Measurement

WARNING

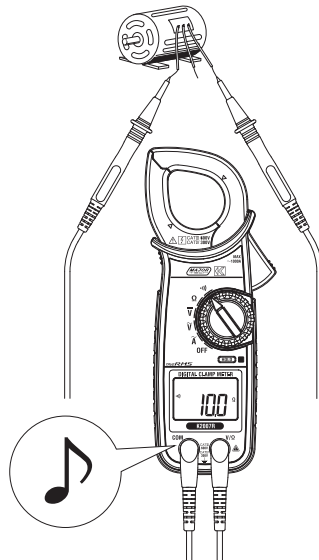
Power off the circuit under test before making measurements with this instrument.

- (1) Set the Function switch to resistance or continuity position.
- (2) Firmly connect the test leads to V/ Ω and COM terminals.

Resistance



Continuity



Beeps less than 90 Ω

NOTE

LCD indicates "OL" when the test leads are open.

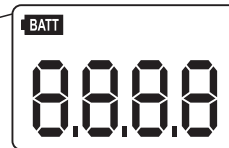
5. Other Functions

- Data Hold **HOLD**
Press the Hold key. The LCD shows "H" mark and the reading will be held.
Press the Data Hold Key again to release the display.



- Low battery indication
The LCD shows "BATT" mark when the batteries fall below the normal operating voltage.

Replace the batteries with new ones when this mark appears.



- Sleep Function
Automatically powers off the instrument in about 10 min after the last switch or key operation. Buzzer beeps five times one minute before entering into the Sleep mode, and also one time just before entering into the mode. To exit from the Sleep mode, rotate the Function switch or press Hold key.

To disable the Sleep function, press the HOLD key and power on the instrument. Confirm that the LCD shows "P.OFF" about 1 sec.



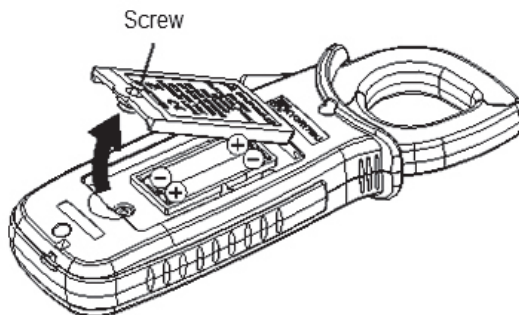
6. Battery Replacement

WARNING

- Replace the batteries when a Low Battery Voltage warning "**BATT**" mark is indicated on the LCD. Otherwise, precise measurement cannot be made.
If batteries are completely exhausted, the LCD goes blank without showing "**BATT**" mark.
- Do not try to replace the batteries if the surface of the instrument is wet.
- Disconnect the test leads from the object under test and power off the instrument before opening the Battery Compartment Cover for battery replacement.

CAUTION

- Do not mix old and new batteries. Brand and type of the batteries to be used should be harmonized.
 - Install batteries in correct polarity as indicated in the Battery Compartment.
- (1) Set the Function Switch to "OFF" position.
 - (2) Unscrew and remove the Battery Compartment Cover on the instrument.
 - (3) Replace the batteries observing correct polarity. Use new two AAA 1.5V batteries.
 - (4) Install the Battery Compartment Cover and tighten the screw.





Major Tech reserves the rights to change specifications or designs described in this manual without notice and without obligations.

MAJOR TECH (PTY) LTD

T9 Industrial Village, 7 Sam Green Road,
Tunney Ext. 9, Elandsfontein,
South Africa
P.O. Box 888, Isando 1600,
South Africa

Telephone: +27 11 872 5500
National Contact Number: 08 61 62 5678
E-mail: sales@major-tech.com

www.major-tech.com

