

# G-ULTRA WIRING DIAGRAMS



**G-ULTRA** 



# 1. Wiring a G-ULTRA into a D-Series Controller



## Possible Activations

- Trigger Open
- Pedestrian Open
- Free Exit / Keep Open
- Holiday Lock

## Possible Notifications

- Gate Open / Closed
- Gate Opening / Closing
- Gate Standing Open
- Mains Failure
- Battery Low
- Multiple Collisions

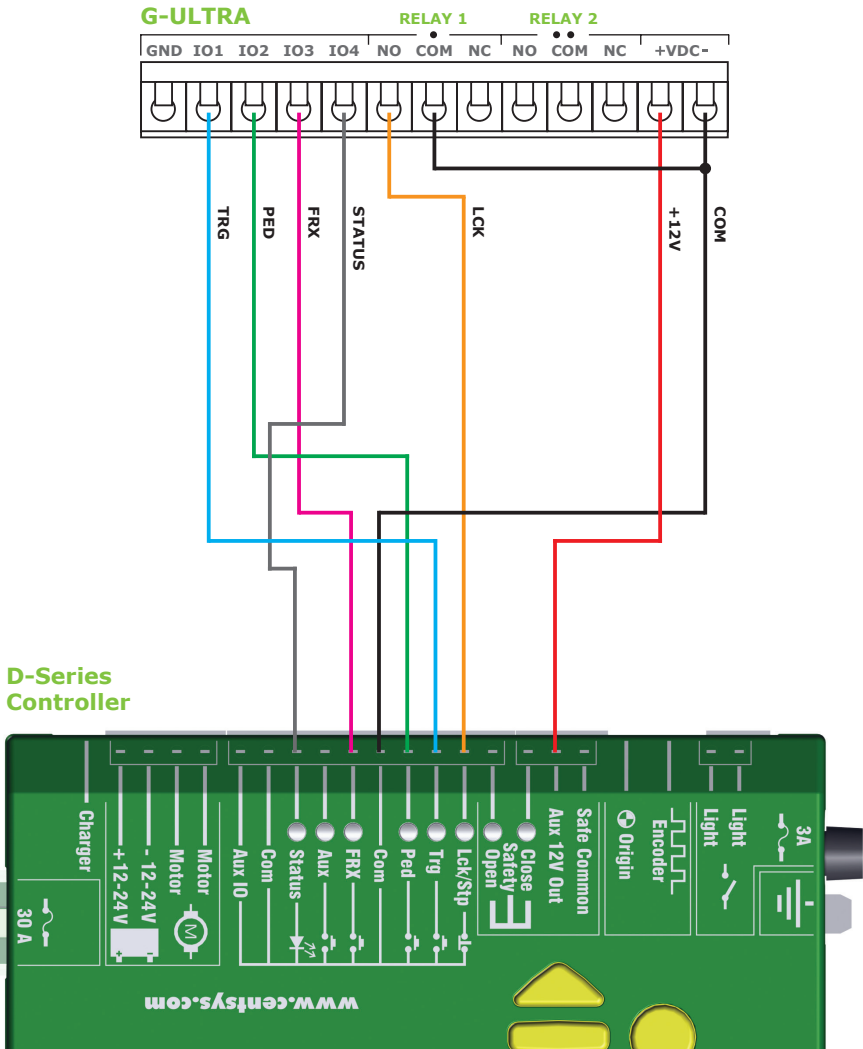


FIGURE 1

## 2. Wiring a G-ULTRA into an Electric Fence Controller

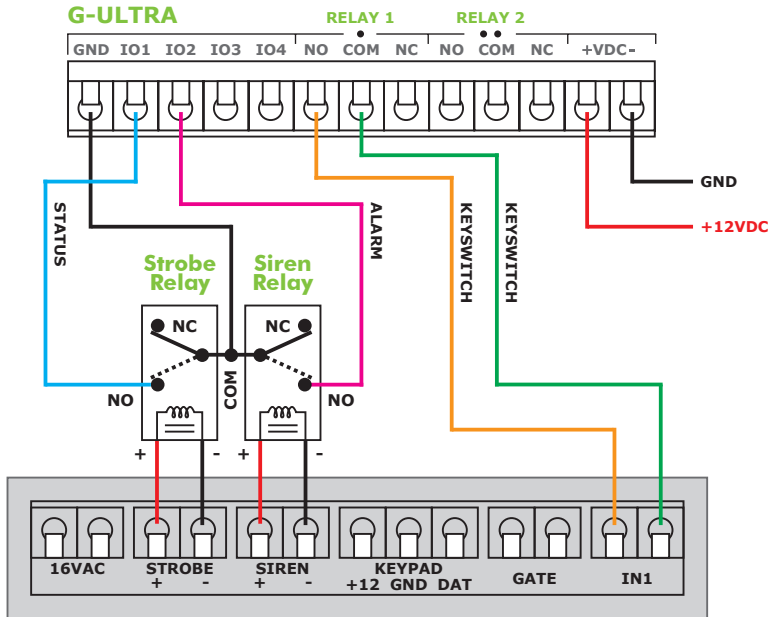


### Possible Activations

- Arm / Disarm

### Possible Notifications

- Arm Status
- Alarm Notifications



**Electric Fence control board**

### To program the Strobe to Status:

#### JVA Keypad, Press:

1. "INSTALLER PIN"\*0#
2. 2202#
3. \*#

#### Nemtek Keypad, Press:

1. "INSTALLER PIN"\*0#
2. 101# **OR** 0011# (Model Dependant)
3. \*#



- The Status and alarm inputs must have three seconds filter time configured on the G-ULTRA
- The strobe output on the energiser needs to be programmed for the armed status notification to be sent via the G-ULTRA
- Using "IN1" via the G-ULTRA will bypass the key-switch function on the energiser

**FIGURE 2**

### 3. Wiring a G-ULTRA into an Alarm System

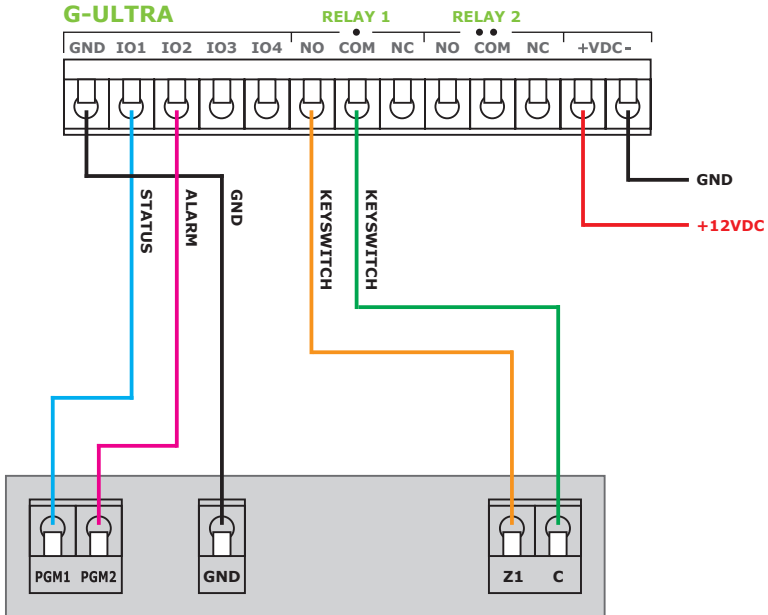


#### Possible Activations

- Arm / Disarm

#### Possible Notifications

- Arm Status
- Intruder / Siren



#### Alarm Panel

#### Alarm programming:

- PGM1: Armed Status
- PGM2: Siren Follow
- Z1: Keyswitch Latched Arm / Disarm



The Alarm Panel PGMs must activate to "GND". However, if the Alarm Panel only supports positive activations, then relays must be used between the Alarm Panel and the G-ULTRA to change the activation to "GND".

FIGURE 3

## 4. Wiring a G-ULTRA into a D-Series Controller via a WiZo



### Possible Activations

- Trigger Open

### Possible Notifications

- Gate Open / Closed
- Gate Opening / Closing
- Gate Standing Open
- Mains Failure
- Battery Low
- Multiple Collisions

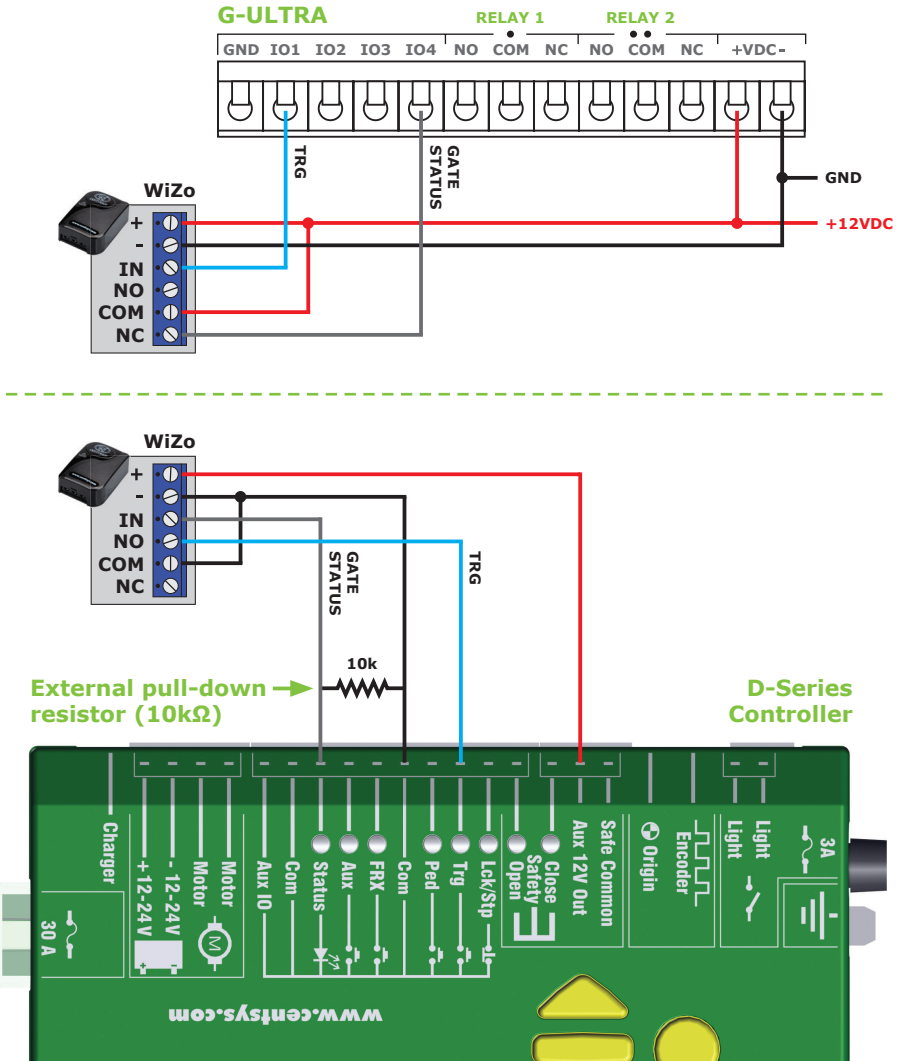


FIGURE 4

## 5. Wiring a G-ULTRA into an Electric Fence Controller via WiZos

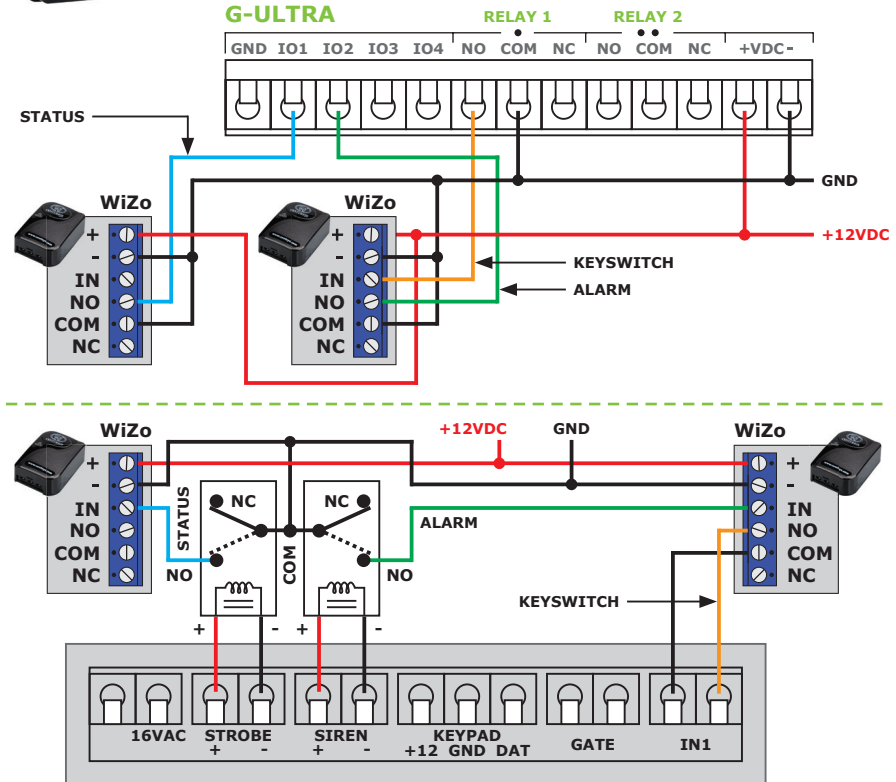


### Possible Activations

- Arm / Disarm

### Possible Notifications

- Arm Status
- Alarm Notifications



### Electric Fence control board

#### To program the Strobe to Status:

##### JVA Keypad, Press:

1. "INSTALLER PIN"\*0#
2. 2202#
3. \*#

##### Nemtek Keypad, Press:

1. "INSTALLER PIN"\*0#
2. 101# OR 0011# (Model Dependant)
3. \*#



- The Status and alarm inputs must have three seconds filter time configured on the G-ULTRA
- The strobe output on the energiser needs to be programmed for the armed status notification to be sent via the G-ULTRA
- Using "IN1" via the G-ULTRA will bypass the key-switch function on the energiser

FIGURE 5

## 6. Wiring a G-ULTRA into an Alarm System via WiZos

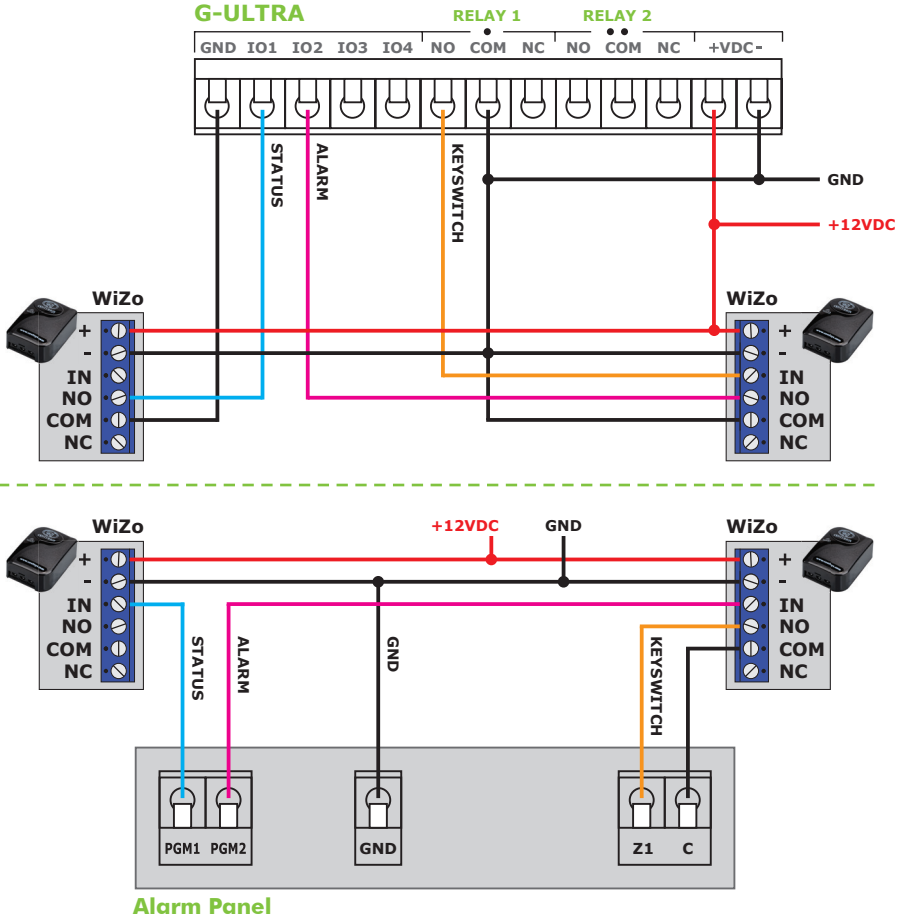


### Possible Activations

- Arm / Disarm

### Possible Notifications

- Arm Status
- Intruder / Siren



### Alarm programming:

- PGM1: Armed Status  
 PGM2: Siren Follow  
 Z1: Keyswitch Latched Arm / Disarm



The Alarm Panel PGMs must activate to "GND". However, if the Alarm Panel only supports positive activations, then relays must be used between the Alarm Panel and the G-ULTRA to change the activation to "GND".

FIGURE 6