

SF300

IP Based Fingerprint Access Control & Time Attendance



The SF300 is an IP based fingerprint terminal, which operate in both network mode and standalone mode. it can connect with ZKAccess3.5 software for access control and time attendance management.

Wiegand output makes SF300 flexible to connect with ZK or any 3rd party controllers as a slave reader, Additionally, wiegand input allows two units of SF300 to configure with each other and utilize Master & Slave solution, which requires user verification at both entrance and exit. Meanwhile, anti-passback function can be used to maximize the security.

Auxiliary input interface allows SF300 to connect with an external source, for instance, a smoke detector or emergency switch. Once the linkage function is enabled through the machine menu, the device would generate an alarm signal and open the door in case of emergency.

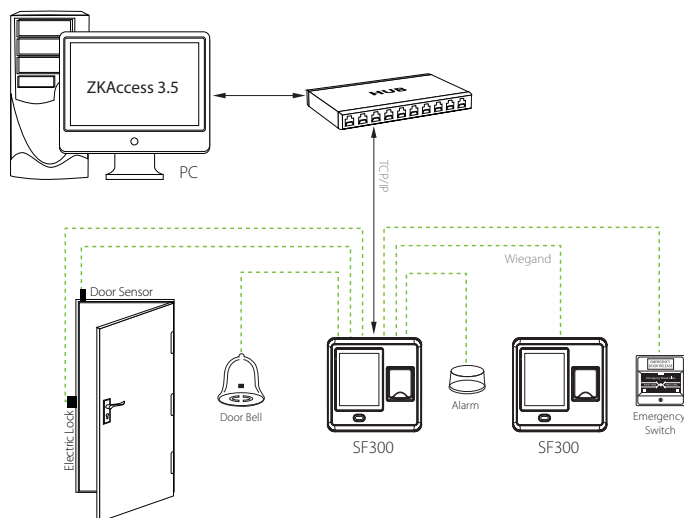
Feature

- 2.8-inch touch screen, color display with graphical UI for easy operation
- Up to 24 user-defined schedules that can be activated on a daily bell alert (optional)
- Prompt audio acceptance or rejection signals for valid or invalid fingers
- Compact and lightweight, small size for 86mm (L) x 86mm (H) socket installation
- TCP/IP or RS485 communication for various networking environments
- Supports USB flash drive for offline data management
- Built-in auxiliary input with enhanced flexibility to link with wired detector or emergency switch
- Up to 15 multi-verification methods to enhance security level
- Standard access control features such as Time zone, Holiday, A&C Group, Unlock combination etc.
- Duress Alarm offers effective protection against duress by threats
- Tamper proof switch and multiple alarm outputs
- Multi-languages customizable

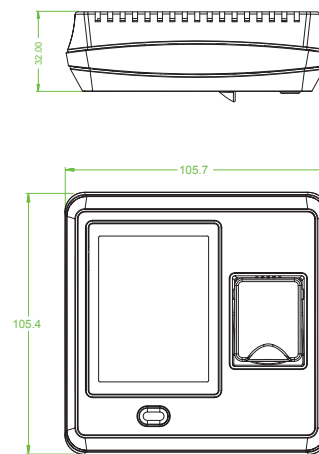
Specifications

Model	SF300
LCD	2.8 inch resistive touch screen
Fingerprint Sensor	ZK Optical Sensor (500DPI)
Algorithm Version	ZKFinger VX10.0
Communication	TCP/IP, RS485, USB Host
Fingerprint Capacity	1,500
Card Capacity	5,000
Records Capacity	80,000
Access Control Interface	Electric lock, Door sensor, Alarm, Exit button, Door Bell
Wiegand Signal	Wiegand input & output
Aux. Input	1ea for linkage function
Power Supply	DC 12V/3A
Operating Temperature	0 ~ 45°C (32°~113°F)
Operating Humidity	20 ~ 80%
Dimension(L x W x H)	105 x 105 x 34mm

Configuration



Dimensions (mm)



ZKTeco (PTY) Ltd

Tel: +27 12 259 1047
 E-mail: sales@zkteco.co.za
 www.zkteco.co.za

Global Offices:

USA: + 1 732-412-6007
 EU: +34 916532891
 Brazil: +55 31 2515-8326
 Thailand: +66-027199154
 Mexico: +52-55-52928418

South Africa: +27 12 259 1047
 Egypt: +201110444134
 Dubai: +971 4 6091 310
 India: +91 8123536788
 Indonesia: +62 21 2921 8949

Vietnam: +84-0169-5813007
 Philippines: +63 9084118832
 Russia: +8 915 178-46-81