



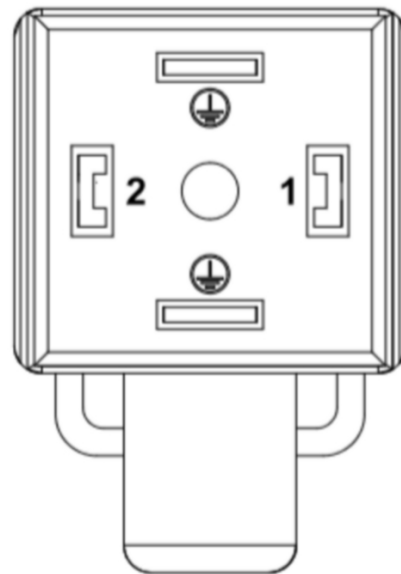
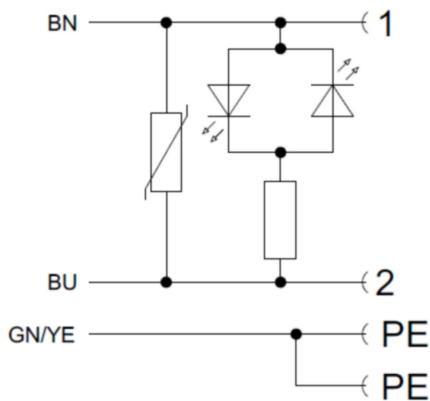
Product: [VAD 1A-1-3-226](#) 

Form A - Female 90° | #Contacts: 2+2 PE | Varistor (MOV) & ye LED | 24 V |
Cable: Black (PUR); 0.50 mm²; IEC

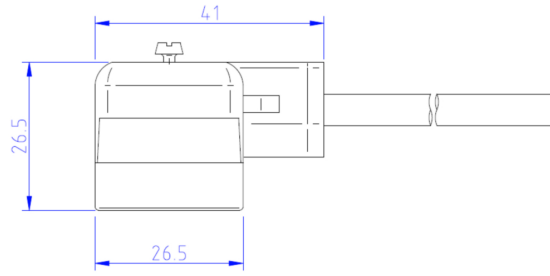
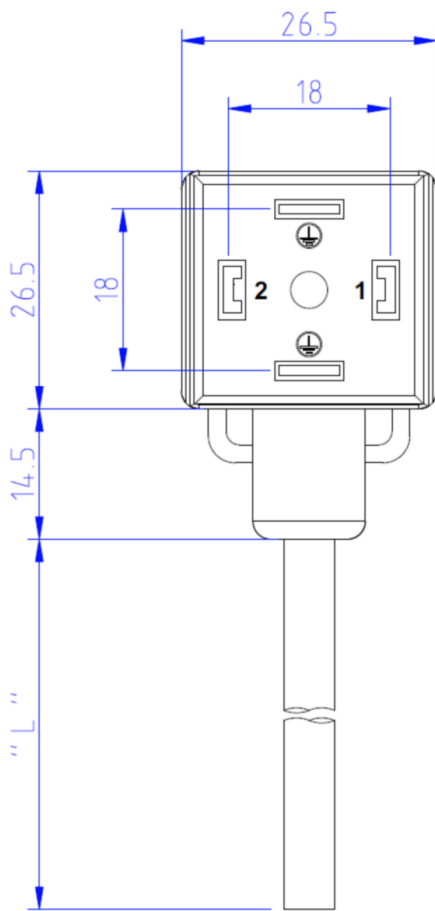
Product Description

Form A - Singled-Ended Female Angled Cordset | #Contacts: 2+2 PE | Varistor (MOV) & yellow LED | 24 V / 4 A | Cable: Black PUR Jacket; 3x0.50 mm² (20 AWG); IEC

Technical Drawing



1 = BN
2 = BU
PE = GN/YE



Technical Specifications

Product Life Cycle

Life Cycle:	Active - Product is available
Availability:	Active

Technical Data

Product Family:	Valve Connectors
Side 1 Product Sub Family:	VAD
Brand:	Lumberg Automation
Connector Type:	Cordset, single ended
Side 1 Type of Contact/Gender:	Socket Contact / Female
Connector Design:	Angled (90°) Body
Number of Pins:	2+2 PE
Coding, Side 1:	A
Shielding Type:	Unshielded
Attachment Type:	Central Screw
Voltage Rating:	24 V
Rated Impulse Voltage:	4.0 kV
Operating Voltage:	24 V AC/DC
Current Rating:	4 A
Side 1 Contact Resistance:	≤ 5 mOhm
Insulation Resistance:	> 10 ⁹ Ohm
Mating Cycles:	≤ 50
Cross Section:	0.50 mm ²
Ambient Temperature (Operation)*:	- 25 °C - + 80 °C
Protection Degree / IP Rating**:	IP65, IP67
Side 1 Design Standard:	DIN EN 175301-803-A, ISO 4400
Side 1 Pollution Degree:	3 acc. to DIN EN 60664-1 (VDE 0110-1)

Clearance / Creepage Distance:	DIN EN 60664-1 (2008/01); VDE 0110-1
Overvoltage Category:	III acc. to DIN EN 60664-1 (VDE 0110-1)

Materials

Contact Base Material:	Brass (CuZn)
Side 1 Contact Plating:	Copper Nickel Alloy (Cu/Ni,Sn)
Contact Bearer Material:	Polybutylene terephthalate (PBT)
Contact Bearer Color:	Black
Flammability Class (Contact Bearer):	UL 94 V-0
Molded Body Material:	Thermoplastic Polyurethane (TPU)
Molded Body Color:	Translucent
Flammability Class (Molded Body):	UL 94 HB
Attachment Material:	Steel, Phillips combi slot
Gasket Material:	Molded Integrated Gasket

Protection Circuitry

Function Indicator:	Yellow LED
Protective Circuit:	Varistor (MOV)

Additional Technical Data

Fastening Torque (Attachment):	(50-60) Ncm
Accessories to Order Separately:	934887001 - GAN EPDM gasket and holding clip

Cable Data

Cable Number:	226
Conductor Size:	0.5 mm ²
Number of Wires:	3
Minimal Bending Radius (Fixed Inst):	> 5 x D
Minimal Bending Radius (Flexible Inst):	> 10 x D
Cycles (Bending):	> 5 mio
Cycles (Torsion):	> 5 M @ ± 360 °/1 m
Conductor Material:	Cu
Cable Jacket Material:	Polyurethane (PUR)
Cable Jacket Color:	Black
Cable Diameter D:	Ø 4.6 mm [0.181 "]
Wire Insulation Material:	Polypropylene (PP)
Insulated Wire Diameter:	Ø 1.50 mm [0.06 "]
Ambient Temperature (Fixed Installation):	- 50 °C to + 105 °C (UL: + 80 °C)
Ambient Temperature (Flex Installation):	- 25 °C to + 105 °C (UL: + 80 °C)
UL Cable Type:	AWM: 20549
Flammability Class (Cable Jacket):	DIN EN 50265-2-2, VDE 0482-265-2-2, IEC 60332-2-2, CSA FT2
Cable Characteristics:	Good microbes and hydrolysis resistance; Mainly plasticizer diffusion free; Exclusion of PVC and silicone; Coldness flexibility; Free of lacquer wetting disturbing substances

Safety & Environmental Compliance

RoHS Compliant:	Yes
-----------------	-----

Resistances

Halogenfree:	Yes
Oil Resistance:	Good chemical and oil resistance

Notes

Note Derating:	Notice derating
Protection Degree / IP Rating Note:	*IP Rating test performed by Belden with Belden Connectors only

Variants

Item #	Item Description	Cable Length	Replaced By
800000186	VAD 1A-1-3-226/2 M	2 m	
800000187	VAD 1A-1-3-226/5 M	5 m	

800000188	VAD 1A-1-3-226/10 M	10 m	
2356	VAD 1A-1-3-226/1,5 M	1.5 m	Name: GAN22LU-V24-2260150-1UD
12135	VAD 1A-1-3-226/10 M	10 m	ID: 934889051 Name: GAN22LU-V24-2261000-1UB
12136	VAD 1A-1-3-226/2 M	2 m	ID: 934889048 Name: GAN22LU-V24-2260200-1UC
12137	VAD 1A-1-3-226/3 M	3 m	ID: 934889049 Name: GAN22LU-V24-2260300-1UC
12138	VAD 1A-1-3-226/5 M	5 m	ID: 934889050 Name: GAN22LU-V24-2260500-1UC
16038	VAD 1A-1-3-226/15 M	15 m	ID: 934889052 Name: GAN22LU-V24-2261500-1UB
43836	VAD 1A-1-3-226/1 M	1 m	Name: GAN22LU-V24-2260100-1UD
45538	VAD 1A-1-3-226/20 M	20 m	ID: 934889053 Name: GAN22LU-V24-2262000-1UA
49867	VAD 1A-1-3-226/0,6 M	0.6 m	ID: 934889047 Name: GAN22LU-V24-2260060-1UD
68205	VAD 1A-1-3-226/25 M	25 m	ID: 934889054 Name: GAN22LU-V24-2262500-1UA
20451	VAD 1A-1-3-226/0,68 M	0.68 m	Name: GAN22LU-V24-2260068-1UD
27843	VAD 1A-1-3-226/7 M	7 m	Name: GAN22LU-V24-2260700
884	VAD 1A-1-3-226/30 M	30 m	Name: GAN22LU-V24-2263000

© 2026 Belden, Inc

All Rights Reserved.

Although Belden makes every reasonable effort to ensure their accuracy at the time of this publication, information and specifications described here in are subject to error or omission and to change without notice, and the listing of such information and specifications does not ensure product availability.

Belden provides the information and specifications herein on an "ASIS" basis, with no representations or warranties, whether express, statutory or implied. In no event will Belden be liable for any damages (including consequential, indirect, incidental, special, punitive, or exemplary damages) whatsoever, even if Belden has been advised of the possibility of such damages, whether in an action under contract, negligence or any other theory, arising out of or in connection with the use, or inability to use, the information or specifications described herein.

All sales of Belden products are subject to Belden's standard terms and conditions of sale.

Belden believes this product to be in compliance with all applicable environmental programs as listed in the data sheet. The information provided is correct to the best of Belden's knowledge, information and belief at the date of its publication. This information is designed only as a general guide for the safe handling, storage, and any other operation of the product itself or the one that it becomes a part of. The Product Disclosure is not to be considered a warranty or quality specification. Regulatory information is for guidance purposes only. Product users are responsible for determining the applicability of legislation and regulations based on their individual usage of the product.