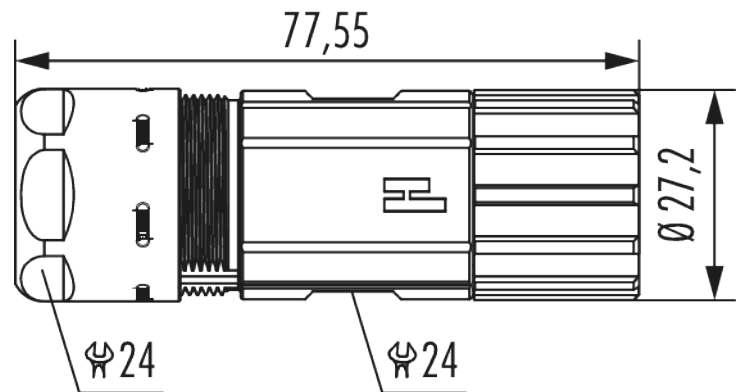


# Housing cable connector M23 Power

Item number 7550500000



## Technical data

<b>Housing type</b>	Cable
<b>Material housing</b>	Zinc Die Cast , brass
<b>Material housing surface</b>	Nickel
<b>Version</b>	Screw
<b>Internal thread plug-in side</b>	M23 x 1
<b>Knurled nut-Ø plug-in side</b>	27.2 mm
<b>Locking type</b>	Screw
<b>Shield</b>	shielded
<b>Seal type</b>	O-Ring
<b>Material seals/o-rings</b>	NBR
<b>Wrench size (SW1/SW2)</b>	24/24 mm
<b>Cable diameter</b>	7 - 12 mm
<b>Temperature range</b>	-40°C to +125°C
<b>Protection class</b>	IP 67 , IP 69 K

# Housing cable connector M23 Power

Item number 7550500000

**suitable contact inserts**      7084909101 , 7084909102 , 7084910101 , 7084910102 ,  
7084942101 , 7084942102 , 7084943121 , 7084943122 ,  
7084944101 , 7084944102 , 7084946101 , 7084946102 ,  
7084951121 , 7084951122 , 7084953101 , 7084953102



# Housing cable connector M23 Power

Item number 7550500000

## Commercial data

<b>Packaging Unit</b>	25
<b>EAN code</b>	4033878503812
<b>Weight</b>	0.08554 kg
<b>ETIM 7</b>	EC003556
<b>ETIM 8</b>	EC003556
<b>ETIM 9</b>	EC003556
<b>eCl@ss 10.1</b>	27440224
<b>Customs tariff number</b>	85366990

Note:

