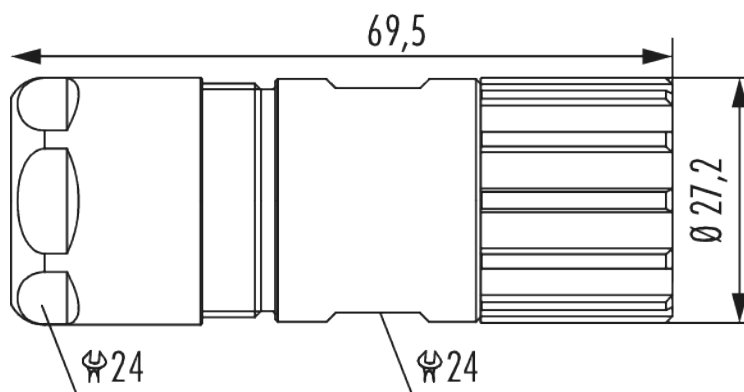


# Housing cable connector M23 RJ45

Item number 7R10400000



## Technical data

<b>Housing type</b>	Cable
<b>Material housing</b>	Zinc Die Cast , brass
<b>Material housing surface</b>	Nickel
<b>Insert</b>	RJ45
<b>Version</b>	Screw
<b>Internal thread plug-in side</b>	M23 x 1
<b>Knurled nut-Ø plug-in side</b>	27.2 mm
<b>Locking type</b>	Screw
<b>Shield</b>	unshielded
<b>Seal type</b>	O-Ring
<b>Material seals/o-rings</b>	FKM (FPM) , NBR
<b>Wrench size (SW1/SW2)</b>	24/24 mm
<b>Wrench size (SW1/SW2/SW3)</b>	-
<b>Cable diameter</b>	3 - 7 mm
<b>Length (L)</b>	69.5 mm
<b>Temperature range</b>	-40°C to +125°C

# Housing cable connector M23 RJ45

Item number 7R10400000

<b>Protection class</b>	IP 67 , IP 69 K
<b>suitable contact inserts</b>	7MRJ450007 , A7RJ-081M41 , A7RJ-821M51

# Housing cable connector M23 RJ45

Item number 7R10400000

## Commercial data

<b>Packaging Unit</b>	5
<b>EAN code</b>	4033878505069
<b>Weight</b>	0.0512 kg
<b>ETIM 7</b>	EC003556
<b>ETIM 8</b>	EC003556
<b>ETIM 9</b>	EC003556
<b>eCl@ss 10.1</b>	27440224
<b>Customs tariff number</b>	85366990

## Note:

