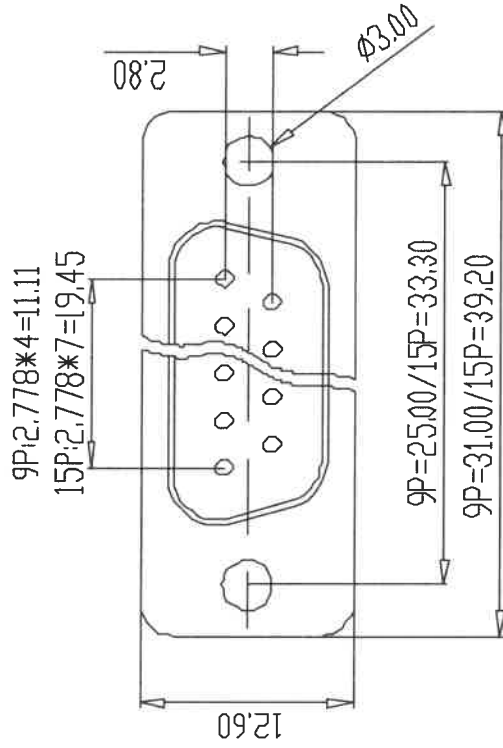
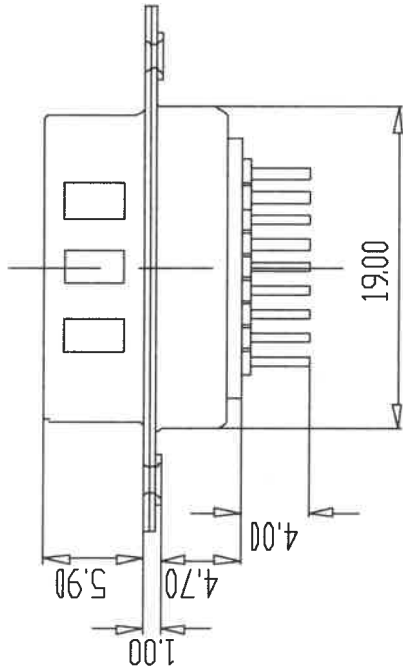
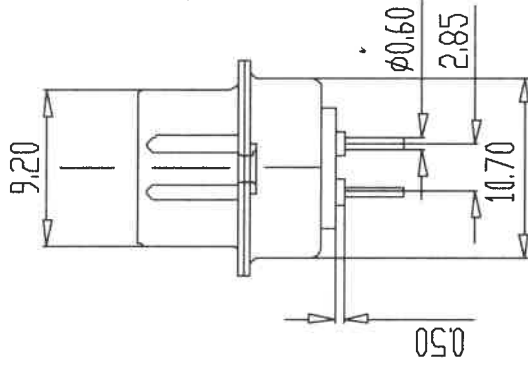


# DE9POLZE + DA15POLZE

序号/Rev.No. 名称/Title 文件编号/Part No.



Specifications:  
 Contact Resistance: 30m $\Omega$  max. at dc 100 mA  
 Insulator Resistance: 1000M $\Omega$  min. at DC 500V  
 Current Rating: 5AMP

Dielectric Withstanding  
 Voltage: AC 1000V For 1 minute  
 Operating Temperature: -55°C--+105°C  
 Contact: Brass  
 Housing: PBT (White)

**COMMUNICA (PTY) (LTD)**  
 A WORLD OF ELECTRONICS Reg. No. 1979/00371707

■ HEAD OFFICE  
 Tel (012) 657-3500  
 Fax (012) 657-3550

E-Mail: [sales@communicaco.za](mailto:sales@communicaco.za)  
 Web: [www.communicaco.za](http://www.communicaco.za)

■ CAPE TOWN  
 Tel (021) 447-0948  
 Fax (021) 447-0958

序号/Rev.No. 更改记录/Revision Note 签名/Signature 日期/Date

审核/Checked by	批准/Approved by	未注公差/General Tolerance
图号/Title	文件编号/Part No.	0-6 ± 0.1 6-15 ± 0.15 15-25 ± 0.2 25-40 ± 0.25 150-250 ± 1
101-09P and 15P	OJ/XLY-12 101 010	
备注/Remark	页序/Sheet	单位/Units
		mm