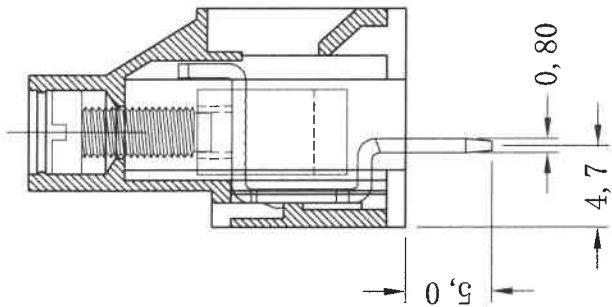
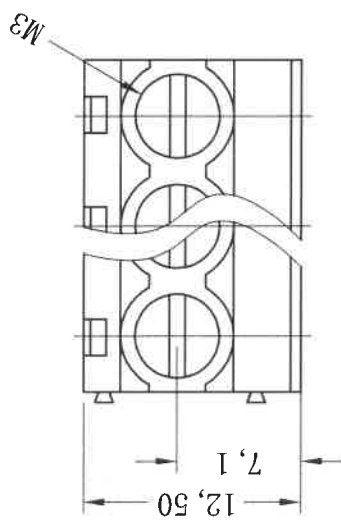
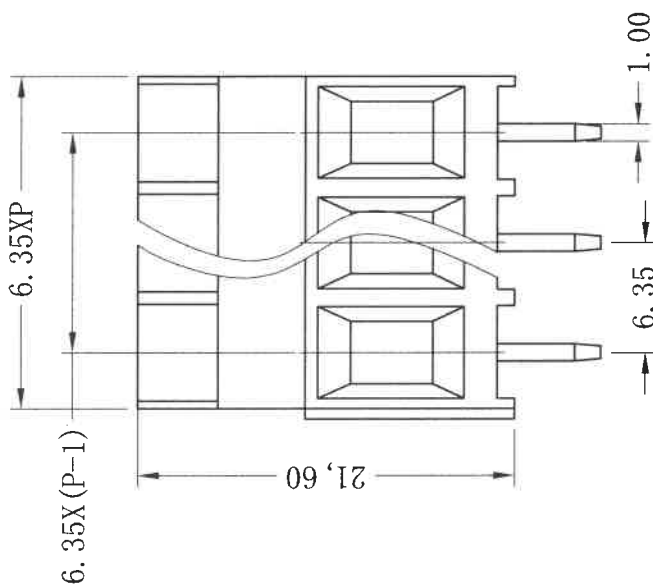


# MRT20P6,35...



Poles: 2P&3P-24P  
 Pitch: 6.35mm  
 Voltage Rating: 300V  
 Current Rating: 30A  
 Wire range: 26-10AWG 4.0mm<sup>2</sup>  
 Housing: PA66 (UL 94V-0)  
 Wire Cage: Brass, Nickel Plated  
 Solder Pin: Brass, Tin Plated  
 Screw: M3.0, Steel (A3), Zinc Plated  
 Torque: 0.5N.m

**COMMUNICA (PTY) LTD**  
 A WORLD OF ELECTRONICS  
 Reg. No. 1979/003717/07

**HEAD OFFICE**  
 Tel (012) 657-3500  
 Fax (012) 657-3550

E-Mail: [sales@communicaco.co.za](mailto:sales@communicaco.co.za)  
 Web: [www.communicaco.co.za](http://www.communicaco.co.za)

**PRETORIA**  
 Tel (012) 328-7008  
 Fax (012) 328-7018  
**CAPE TOWN**  
 Tel (021) 447-0948  
 Fax (021) 447-0959

审核/Checked by	批准/Approved by	未注公差 General Tolerance
图名/Title	文件编号/File No.	X. ±0,2 X <sup>+</sup> ±1 <sup>+</sup>
XV636-6.35	页序/Sheet	X ±0,1 X <sup>+</sup> ±1 <sup>+</sup>
备注/Remark		.XX ±0,05 .XX ±0,5 <sup>+</sup>
		.XXX ±0,01
		单位/Units: mm

序号/No.    更改记录/Revision note    签名/Signature    日期/Date